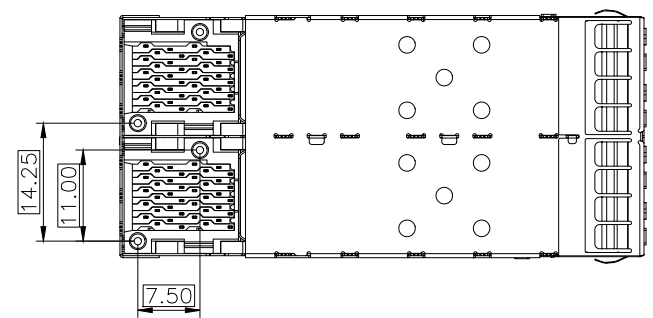
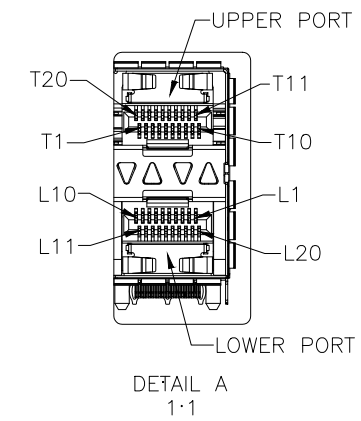
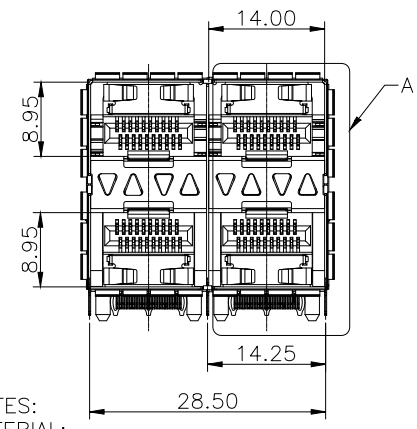
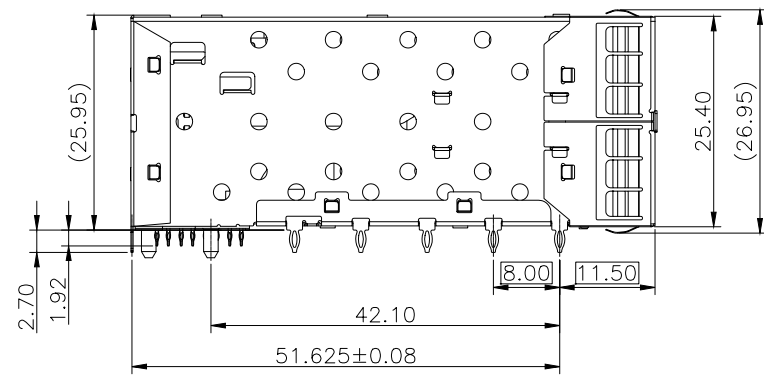
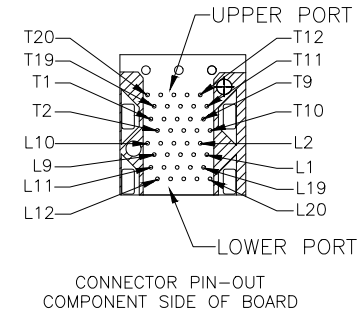
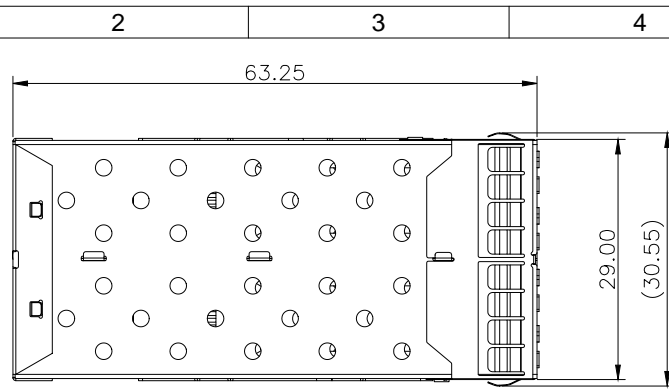




REV:	ECN. NO.	NAME	DATE



NOTES:
MATERIAL:
CAGE: COPPER ALLOY 30u" MIN NI-PLATED, THICKNESS 0.25 MM
CONNECTOR:
PLASTIC HOUSING: HIGH TEMPERATURE LCP, UL94 V-0.
LIGHT PIPE: POLYCARBONATE; COLOR: CLEAR
SPRING: STAINLESS STEEL
CONTACTS: PHOSPHOR BRONZE
CONTACT PLATING: 15u" MIN. GOLD ON MATING AREA,
150u" MATTE TIN ON SOLDER TAILS
PACKAGING: TRAY PACKAGING.
TEMPERATURE RANGE: -40°C TO +85°C
STORAGE TEMPERATURE: -55°C TO +105°C

GENERAL TOLERANCE .X±0.20 .X±1° .XX±0.15 .XX±5° .XXX±0.10		VITALCON a vital connector company		FOR YOUR VITAL CONNECTION	
TITLE:		SFP+ 2X2 CAGE+CONNECTOR			
DRAWN BY:	Zou Long	PART NO:	S2N3B23004BA4	REV: A	
CHECKED BY:	Bob	SIZE: A4	UNIT:mm	SHEET:1 OF 4	FCN: A4
APPROVED BY:	QPF	PROJECTION		http://www.vitalconn.com	

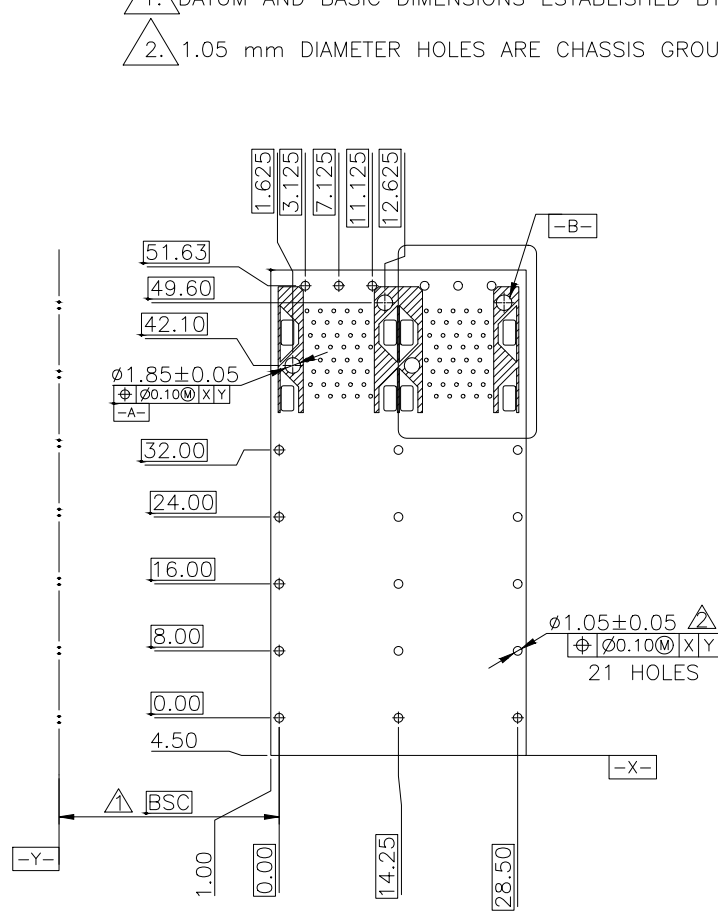
For technical support, please send an email to support@vitalconn.com



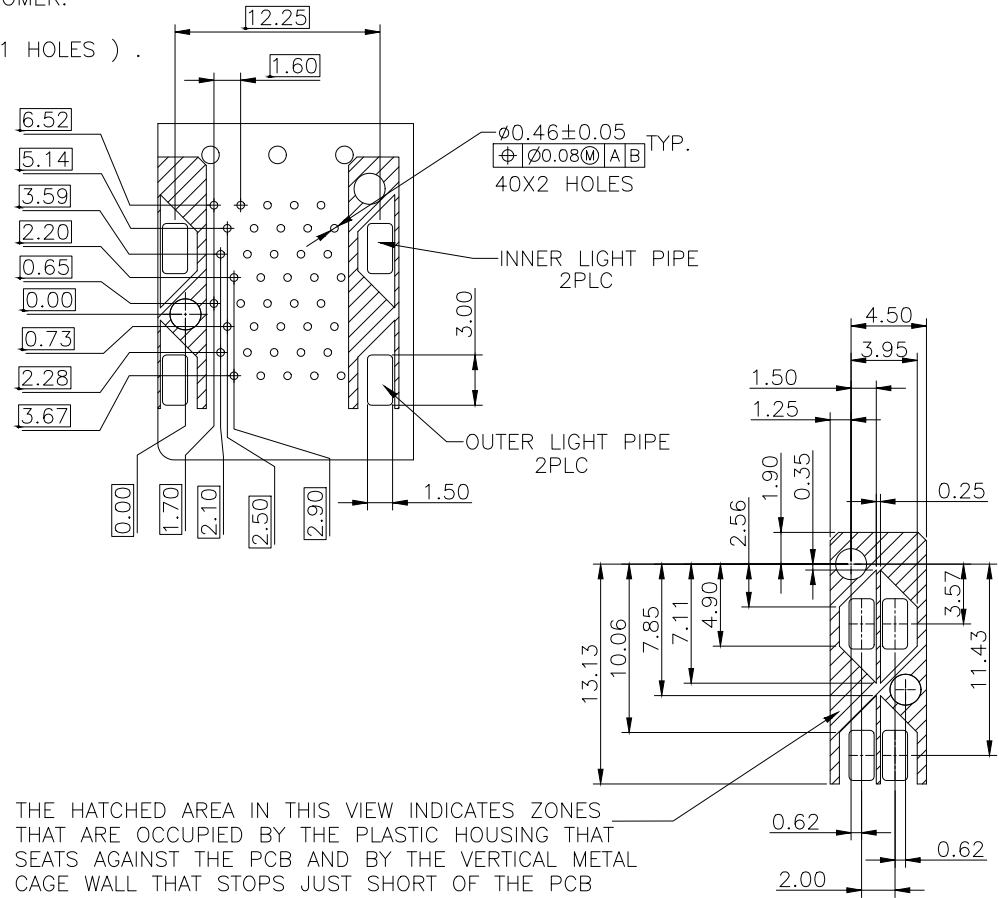
REV:	ECN. NO.	NAME	DATE

NOTES:

1. DATUM AND BASIC DIMENSIONS ESTABLISHED BY CUSTOMER.
2. 1.05 mm DIAMETER HOLES ARE CHASSIS GROUND (21 HOLES) .



RECOMMENDED PCB CONFIGURATION



THE HATCHED AREA IN THIS VIEW INDICATES ZONES THAT ARE OCCUPIED BY THE PLASTIC HOUSING THAT SEATS AGAINST THE PCB AND BY THE VERTICAL METAL CAGE WALL THAT STOPS JUST SHORT OF THE PCB

GENERAL TOLERANCE
 .X±0.20 .X±1°
 .XX±0.15 .XX±5°
 .XXX±0.10



FOR YOUR VITAL CONNECTION

TITLE: SFP+ 2X2 CAGE+CONNECTOR

DRAWN BY: Zou Long PART NO: S2N3B23004BA4 REV: A

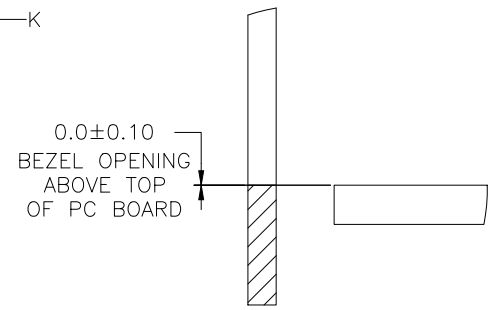
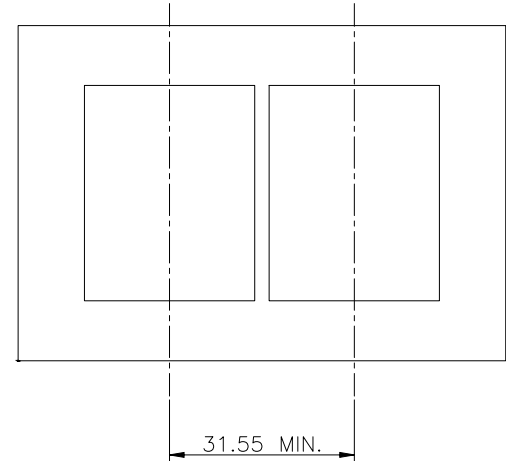
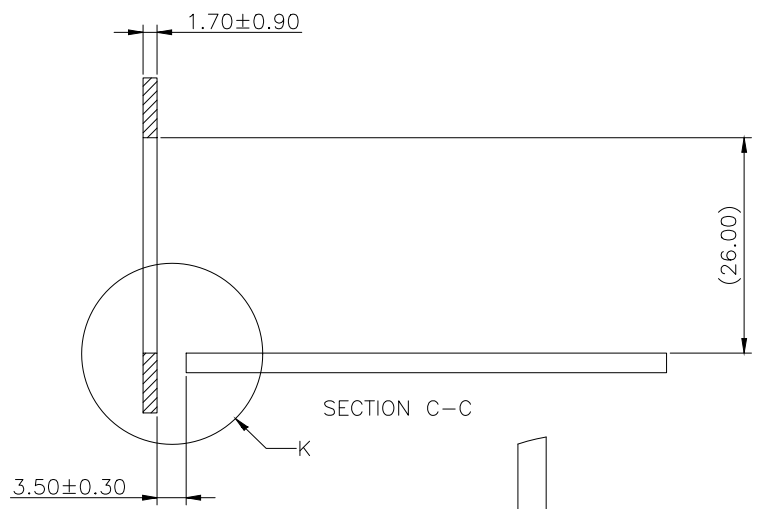
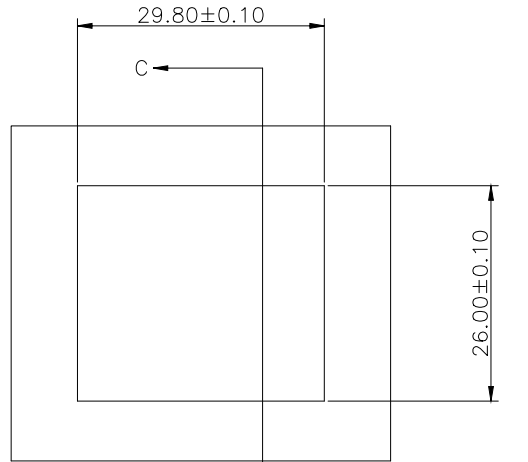
CHECKED BY: Bob SIZE: A4 UNIT:mm SHEET:2 OF 4 FCN: A4

APPROVED BY: QPF PROJECTION <http://www.vitalconn.com>

For technical support, please send an email to support@vitalconn.com



7		8	
REV:	ECN. NO.	NAME	DATE



RECOMMENDED BEZEL DESIGN

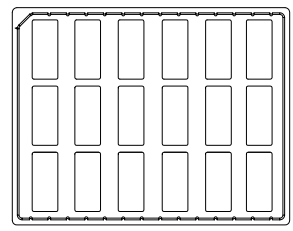
GENERAL TOLERANCE .X±0.20 .X±1° .XX±0.15 .XX±5° .XXX±0.10		 a vital connector company		FOR YOUR VITAL CONNECTION	
DRAWN BY: Zou Long		TITLE: SFP+ 2X2 CAGE+CONNECTOR		REV: A	
CHECKED BY: Bob		PART NO: S2N3B23004BA4		SHEET:3 OF 4	
APPROVED BY: QPF		SIZE: A4		FCN: A4	
PROJECTION				http://www.vitalconn.com	

For technical support, please send an email to support@vitalconn.com

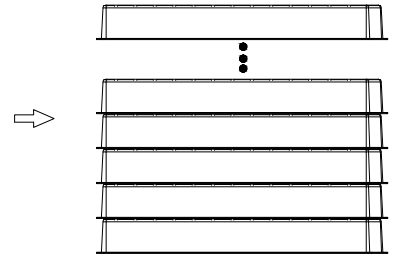


7		8	
REV:	ECN. NO.	NAME	DATE

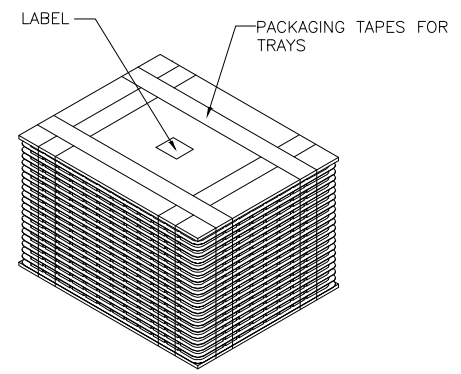
PACKAGE INFORMATION AND LABEL



1. 18PCS PRODUCTS IN TRAYS

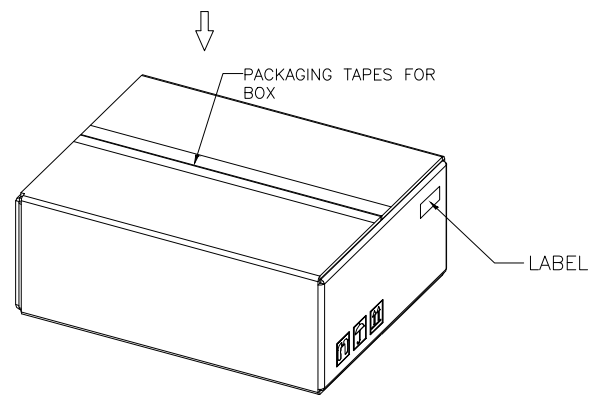


2. 5PCS TRAYS OVERLAY:
(THE NEXT TRAY NEED ROTATE 180 DEGREE AND PUT IT ON PREVIOUS TRAY.)
(相邻两个吸塑间水平方向成180度摆放)



3. LABEL & PACKAGING TAPES FOR TRAYS:

PACKAGING LISTS	
ITEM	Q'TY
PRODUCT	90 PCS
TRAY	5 PCS
BOX(L340*W265*H200MM)	1 PCS
LABLE	2 PCS
PACKAGING TAPES	8 M (ABOUT)



4. LABEL & PACKAGING TAPES FOR BOX

GENERAL TOLERANCE .X±0.20 .X±1° .XX±0.15 .XX±5° .XXX±0.10		VITALCON a vital connector company		FOR YOUR VITAL CONNECTION	
DRAWN BY: Zou Long		TITLE: SFP+ 2X2 CAGE+CONNECTOR		REV: A	
CHECKED BY: Bob		PART NO: S2N3B23004BA4		FCN: A4	
APPROVED BY: QPF		SIZE: A4		UNIT:mm	
		PROJECTION		SHEET:4 OF 4	
				http://www.vitalconn.com	

For technical support, please send an email to support@vitalconn.com