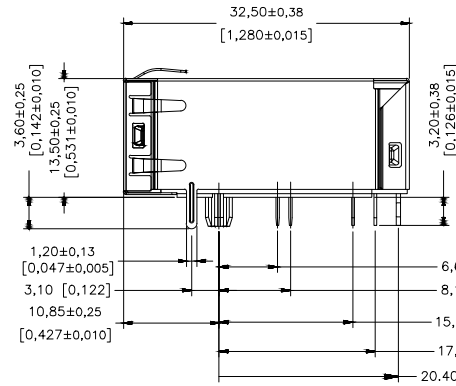
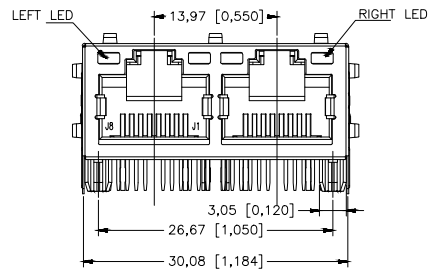
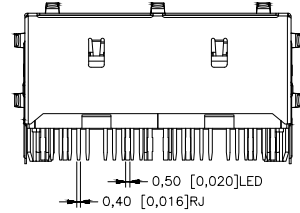
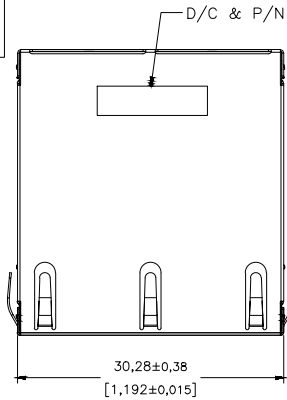
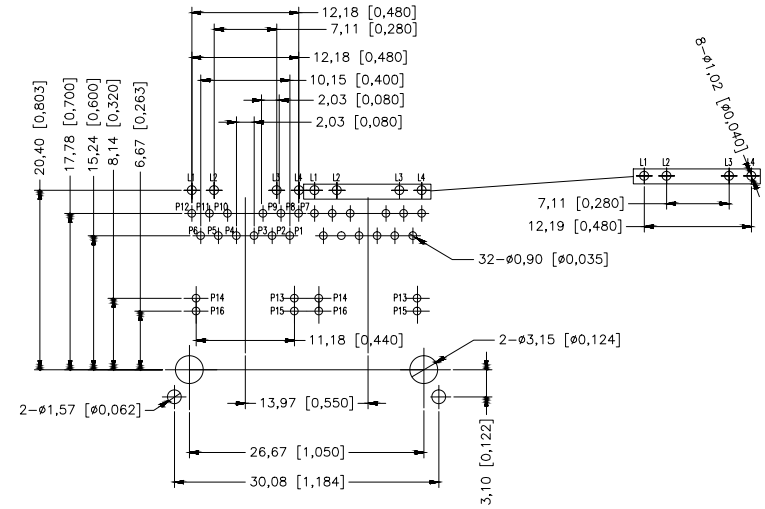




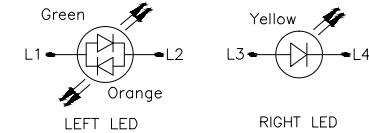
REV:	ECN. NO.	NAME	DATE
A0	-----	NEW RELEASE	03-20-2024



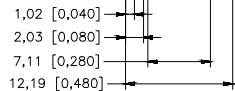
PCB LAYOUT:



RECOMMENDED PCB LAYOUT
(COMPONENT SIDE VIEW)



Emitting Color	λ_p (nm)	V_f @ $I_f=20mA$	I_r @ $V_r=5V$
Green	568	1.7V~2.6V	10 μ A max.
Yellow	588	1.7V~2.6V	10 μ A max.
Orange	605	1.7V~2.6V	10 μ A max.



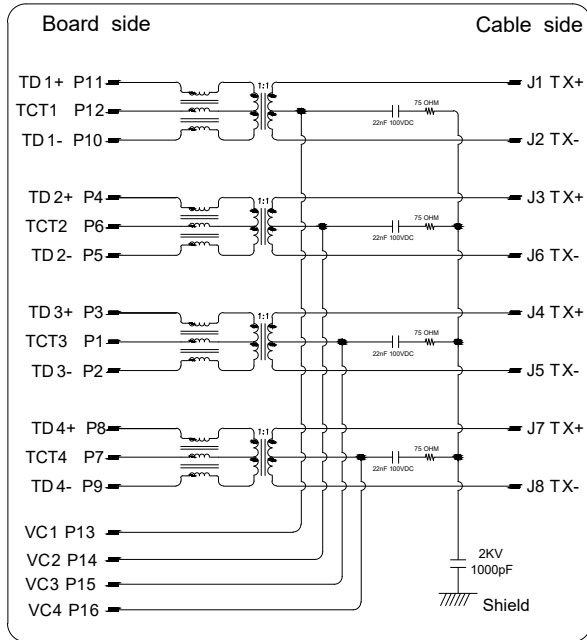
TOLERANCE .X ±0.38 .XX ±0.25 .XXX ±0.10 .ANGLE ±0.50°		 VITALCON a vital connector company		FOR YOUR VITAL CONNECTION	
DRAWN BY: Zou Long		TITLE: RJ45 ICM,1X2,1G BASE-T,W/LED,W/POE		PART NO: J12RB15N7DNF7	
CHECKED BY: Bob		SIZE: A4		UNIT:mm	
APPROVED BY: QPF		PROJECTION		SHEET:1 OF 3	
				FCN: F7	
				http://www.vitalconn.com	

For technical support, please send an email to support@vitalconn.com



REV:	ECN. NO.	NAME	DATE
A0	-----	NEW RELEASE	03-20-2024

SCHEMATIC FOR RJ45:



ELECTRICAL CHARACTERISTICS :

- INSERTION LOSS :
- 1~100 MHz -1.0dB MAX.
- RETURN LOSS(LOAD 100) :
- 1~40 MHz -18dB MIN
- 40~100 MHz -12+20LOG(f/80MHz)dB MIN
- COMMON MODE REJECTION
- 1~100 MHz -30dB MIN
- CROSS TALK
- 1~100 MHz -30dB MIN
- INDUCTANCE @ 100KHz, 0.1V, 11mA DC BIAS
- (P11-P10),(P4-P5),(P3-P2),(P8-P9) : 350 uH MIN
- HI-POT TEST
- PCB SIDE(P1.P2...P12) TO CABLE SIDE : 2250VDC 60S
- URNS RATION 100KHz
- (P11-P10) : (J1-J2) = 1:1 ±3%
- (P4-P5) : (J3-J6) = 1:1 ±3%
- (P3-P2) : (J4-J5) = 1:1 ±3%
- (P8-P9) : (J7-J8) = 1:1 ±3%
- BALANCED DC LINE CURRENT
- 1000mA MAX@57VDC CONTINUOUS

TOLERANCE .X ±0.38 .XX ±0.25 .XXX ±0.10 .ANGLE ±0.50°		VITALCON a vital connector company		FOR YOUR VITAL CONNECTION	
DRAWN BY: Zou Long		TITLE: RJ45 ICM,1X2,1G BASE-T,W/LED,W/POE		PART NO: J12RB15N7DNF7	
CHECKED BY: Bob		SIZE: A4		UNIT:mm	
APPROVED BY: QPF		PROJECTION		SHEET:2 OF 3	
				FCN: F7	
				http://www.vitalconn.com	

For technical support, please send an email to support@vitalconn.com

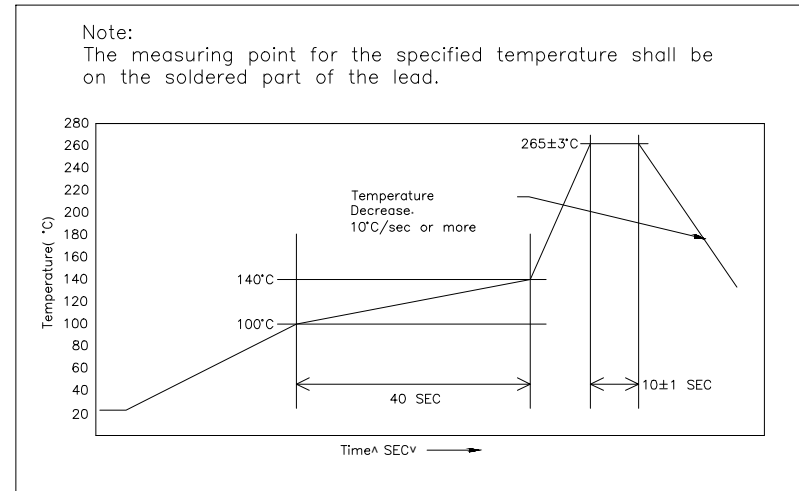


REV:	ECN. NO.	NAME	DATE
A0	-----	NEW RELEASE	03-20-2024

SPECIFICATIONS :

1. MATERIAL
 - HOUSING : HIGH TEMPERATURE THERMOPLASTIC, PA6T,UL 94V-0, BLACK
 - MODULE CASE : HIGH TEMPERATURE THERMOPLASTIC, LCP,UL 94V-0, BLACK
 - RJ CONTACTS : PHOSPHOR BRONZE
PLATING : 50μ" GOLD ON CONTACT AREA,
100U" MIN TIN PLATING ON SOLDER TAILS, 30U"MIN NICKEL OVERALL
 - SOLDER TAIL TERMINAL : BRASS
PLATING : 100U" MIN TIN, 30U"MIN NICKEL OVERALL
 - SHIELD : STAINLESS, THICKNESS=0.2MM, NICKEL PLATING
2. RJ45 SPECIFICATIONS
 - INSULATION RESISTANCE : 500 MOHMS MIN
 - INSERTION FORCE WITH THE LATCH DEPRESSED :22N MAX
 - REMOVAL FORCE WITH THE LATCH DEPRESSED :44N MAX
 - DURABILITY :750 CYCLES
3. OPERATING AND STORAGE TEMPERATURE
 - OPERATING TEMPERATURE : 0°C TO +70°C
 - STORAGE TEMPERATURE : -40°C TO +85°C

4. TEMPERATURE CONDITION OF WAVE SOLDERING:



TOLERANCE		 a vital connector company		FOR YOUR VITAL CONNECTION	
.X	±0.38			TITLE:	RJ45 ICM,1X2,1G BASE-T,W/LED,W/POE
.XX	±0.25	DRAWN BY:	Zou Long	PART NO:	J12RB15N7DNF7
.XXX	±0.10	CHECKED BY:	Bob	SIZE: A4	UNIT:mm
.ANGLE	±0.50°	APPROVED BY:	QPF	PROJECTION	
					SHEET:3 OF 3
					FCN: F7
					http://www.vitalconn.com

For technical support, please send an email to support@vitalconn.com