

RoHS compliant

REV.	ZONE	LTR	DESCRIPTION	DATE	REVISER	APPD.
0.1			NEW RELEASE	2021/12/08		

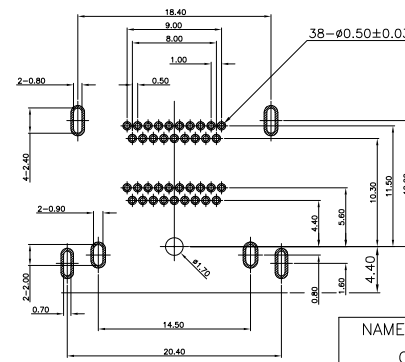
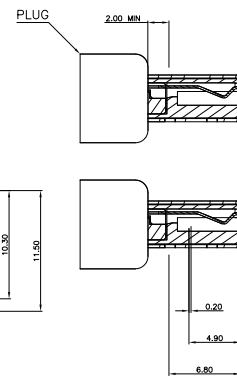
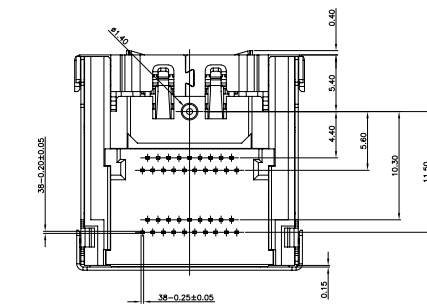
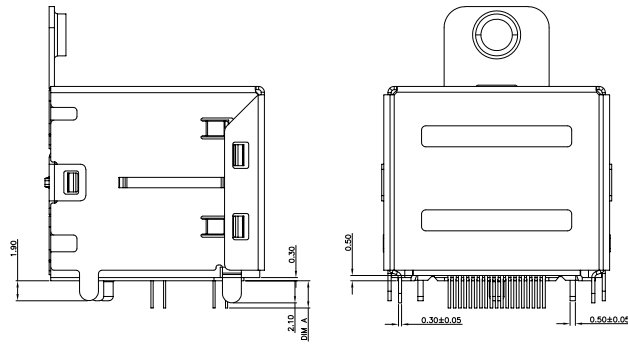
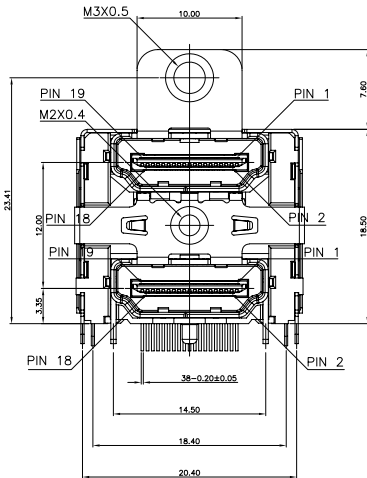
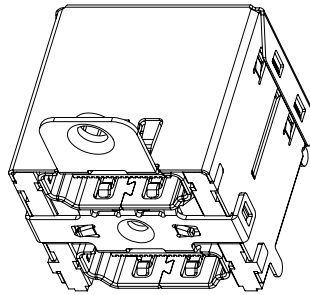
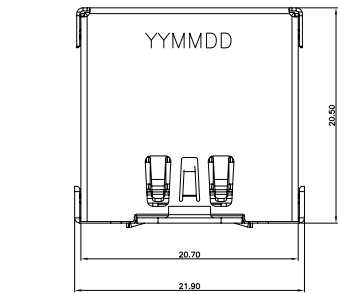
NOTES:

- MATERIAL:
 - OUT SHELL: SUS430 T=0.30mm
 - LOWER SHELL: SUS304 T=0.5mm
 - UPPER SHELL: SUS304 T=0.5mm
 - HOUSING: LCP+30%GF BLACK UL94V-0
 - LOWER HOUSING: LCP+30%GF BLACK UL94V-0
 - UPPER HOUSING: LCP+30%GF BLACK UL94V-0
 - LOWER TERMINAL: C2680R-H T=0.20mm
 - UPPER TERMINAL: C2680R-H T=0.20mm
 - COVER: LCP E130i+30%GF BLACK UL94V-0
- PLATING:
 - TERMINAL: GOLD PLATED ON CONTACT AREA, AND MATTE-TIN 60~200u" ON SOLDER AREA
 - SHELL: NICKEL PLATED 50u"MIN.

ORDER INFORMATION:

HH 038 F L 2 - 3 5 * P 1- ***
 (1) (2) (3)(4)(5) (6)(7)(8)(9)(10) (11)

- PRODUCT APPLICATION:
HH: DUAL HDMI STACKED CONNECTOR
- PIN NUMBER: :
038: 38Pins
- CONTACT & CONNETING TYPE
F: FEMALE
- PRODUCT DETAIL SERIES:
L: R/A TYPE
- PRODUCT SORT:
2: DIP TYPE
- PLASTIC SORT:
3: BLACK
- SHELL PLATED:
5: STAINLESS ,NICKEL PLATED;
- CONTACTS PLATING:
A:SELECTIVELY GF PLATING
C:SELECTIVELY GOLD PLATING 5u";
D:SELECTIVELY GOLD PLATING 15u";
- PACKING CODE
P: TRAY PARKAGE
- ENVIRONMENTAL CODE
1: ROHS COMPLIANCE
- SUFFIX NO.1:
***: WITH FLANGE & WITH POLE



RECOMMENDED PCB LAYOUT(TOP VIEW)
 (THICKNESS=1.6±0.10mm)
 (TOLERANCE=±0.05mm)

NAME: CUSTOMER DRAWING			UNIT: MM	SCALE: 1:1	 a vital connector company TITLE: DUAL HDMI STACKED CONNECTOR THROUGH HOLE TYPE	
GENERAL TOLERANCE (UNLESS SPECIFIED)		DESIGNER:		2021/12/08		
.0 0 0 ±0.15		CHECKED:		2021/12/08	PART NO.: HH038FL2-*****-***	
.0 0 ±0.25		APPROVED:		2021/12/08	SHEET: 1/1	
.0 ±0.35					DRAWING NO.: R-HH038FL2-*****-***	
. ±0.5					REV.: 0.1	
ANGLE ±1'						
A4		www.vitalconn.com		FCN: G3		