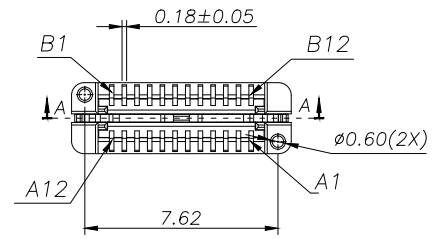
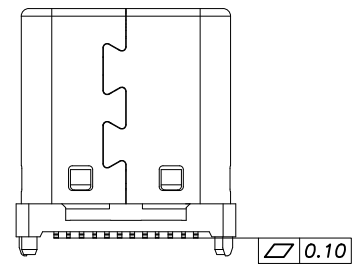
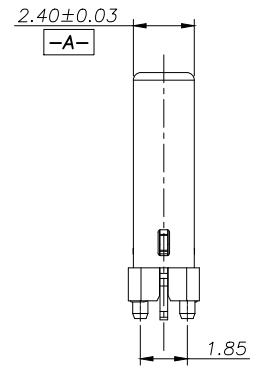
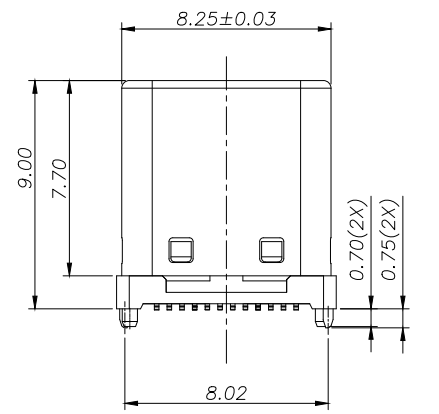
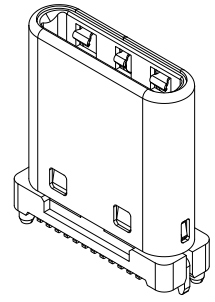
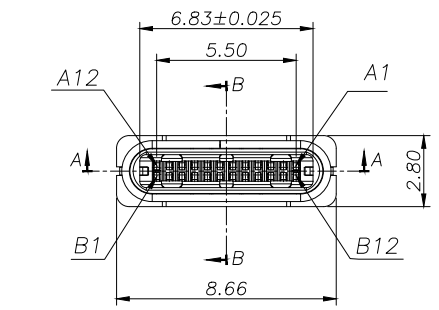




7		8	
REV:	ECN. NO.	NAME	DATE



NOTE:

- MATERIAL SPECIFICATION:
 - HOUSING&PICKUP COVER:LCP,UL94 V-0.
 - CONTACTS: COPPER ALLOY(C7025)
 - LATCH: STAINLESS STEEL(SUS301)
 - SPRING: STAINLESS STEEL(SUS304)
 - FRONT SHELL: STAINLESS STEEL(SUS304)
- PLATING SPECIFICATION:
 - CONTACTS:
 - Ni 50u" MIN. UNDER PLATED OVER ALL.
 - Au PLATED ON THE FUNCTIONAL AREA OF CONTACT. (GOLD PLATING THICKNESS FOLLOW THE P/N)
 - PLATING SPECIFICATIONS OF THE SOLDER AREA FOLLOW THE P/N
 - FRONT SHELL:
 - Ni 30u" MIN. UNDER PLATED OVER ALL.
 - LATCH:
 - Ni 50u" MIN. UNDER PLATED OVER ALL.
 - 80u" MIN. TIN PLATED ON SOLDER AREA.
 - SPRING:
 - CLEAR ONLY
- MECHANICAL PERFORMANCE,
 - INSERTION FORCE: 0.5~2.0kgf.
 - REMOVAL FORCE: 0.8kgf~2.0kgf.
 - DURABILITY: 10000 CYCLES.
- ELECTRICAL PERFORMANCE,
 - CURRENT RATING:3.0A
VOLTAGE RATING:5.0V
 - LLCR:
 - VBUS & GND PINS AND OTHER PINS: 40mΩ/PIN MAX.
 - SHIELD: 50mΩ/MAX.
 - LLCR MAX. CHANGE OF ALL PINS: 10mΩ.
 - INSULATION RESISTANCE: 100MΩ MIN
 - DIELECTRIC WITHSTAND VOLTAGE,AC 100V FOR 1 MINUTE.
- ENVIRONMENTAL PERFORMANCE:
 - OPERATING TEMPERATURE: -25°C~+85°C.
- IR REFLOW:
 - THE PEAK TEMPERATURE ON THE BOARD SHALL BE MAINTAINED FOR 10 SECONDS AT 260°C.

TOLERANCE X.X ±0.30 X° ±10° .XX ±0.20 .X° ±8° .XXX ±0.10 .XX° ±5° UNITS mm		VITALCON a vital connector company		FOR YOUR VITAL CONNECTION	
TITLE:		USB CM VERTICAL TYPE HIGHT=9.0 W/O SHELL FEET			
DRAWN BY:	Zou Long	PART NO:	UC31-2A1H1K003-1HR-05	REV: A	
CHECKED BY:	Bob	SIZE: A4	UNIT:mm	SHEET:1 OF 3	FCN: F9
APPROVED BY:	QPF	PROJECTION		http://www.vitalconn.com	

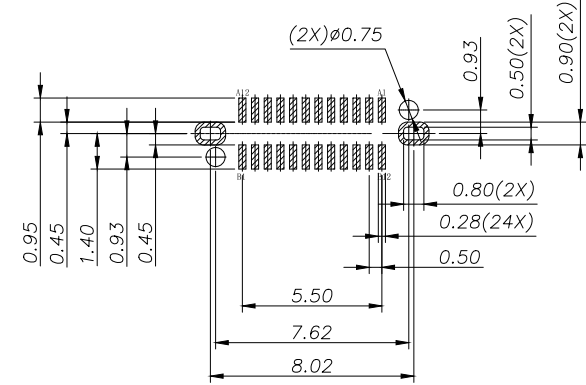
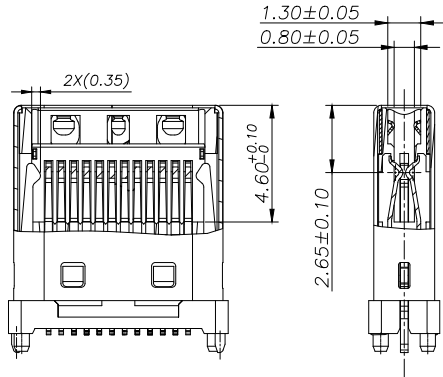
For technical support, please send an email to support@vitalconn.com



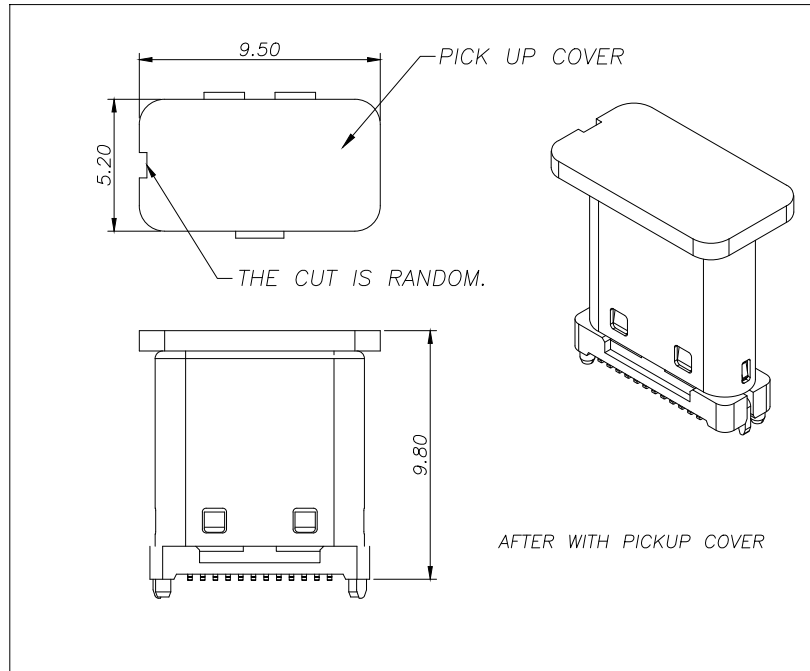
REV:	ECN. NO.	NAME	DATE

USB TYPE-C PIN ASSIGNMENTS

PIN NUMBER	SIGNAL NAME	PIN NUMBER	SIGNAL NAME
A1	GND	B12	GND
A2	SSTXp1	B11	SSRXp1
A3	SSTXn1	B10	SSRXn1
A4	Vbus	B9	Vbus
A5	CC1	B8	SBU2
A6	Dp1	B7	Dn2
A7	Dn1	B6	Dp2
A8	SBU1	B5	CC2
A9	Vbus	B4	Vbus
A10	SSRXn2	B3	SSTXn2
A11	SSRXp2	B2	SSTXp2
A12	GND	B1	GND



RECOMMENDED PCB LAYOUT(TOP VIEW)
THICKNESS 0.8±0.10MM;DEFAULT TOLERANCE:±0.05



P/N: UC31-2A1H1K003-1HR-05

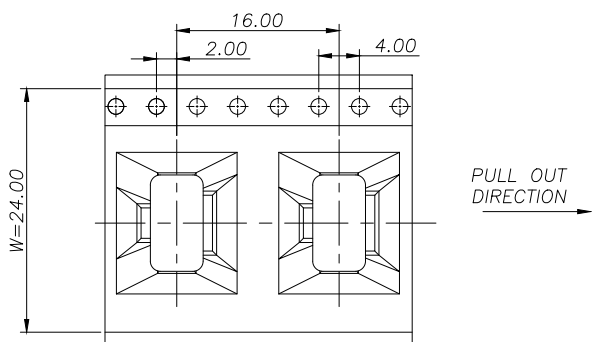
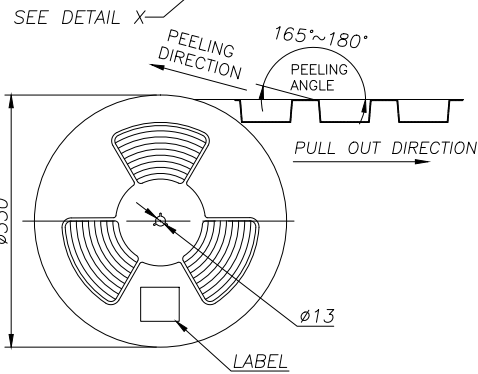
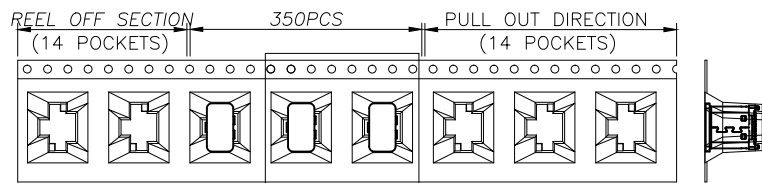
HOUSING MATERIAL A: LCP	CONTACT FUNCTIONAL AREA PLATED 01: Au 1u" 03: Au 3u" 15: Au 15u" 30: Au 30u"
HOUSING COLOR 1: BLACK	CONTACT SOLDER AREA PLATED 0: Sn
SHELL MATERIAL H:SUS304	CONTACT MATERIAL K: C7025
SHELL PLATING 1: Ni	

TOLERANCE X.X ±0.30 X° ±10° .XX ±0.20 .X° ±8° .XXX ±0.10 .XX° ±5° UNITS mm		VITALCON a vital connector company		FOR YOUR VITAL CONNECTION	
TITLE:		USB CM VERTICAL TYPE HIGHT=9.0 W/O SHELL FEET			
DRAWN BY:	Zou Long	PART NO:	UC31-2A1H1K003-1HR-05	REV: A	
CHECKED BY:	Bob	SIZE: A4	UNIT:mm	SHEET:2 OF 3	FCN: F9
APPROVED BY:	QPF	PROJECTION		http://www.vitalconn.com	

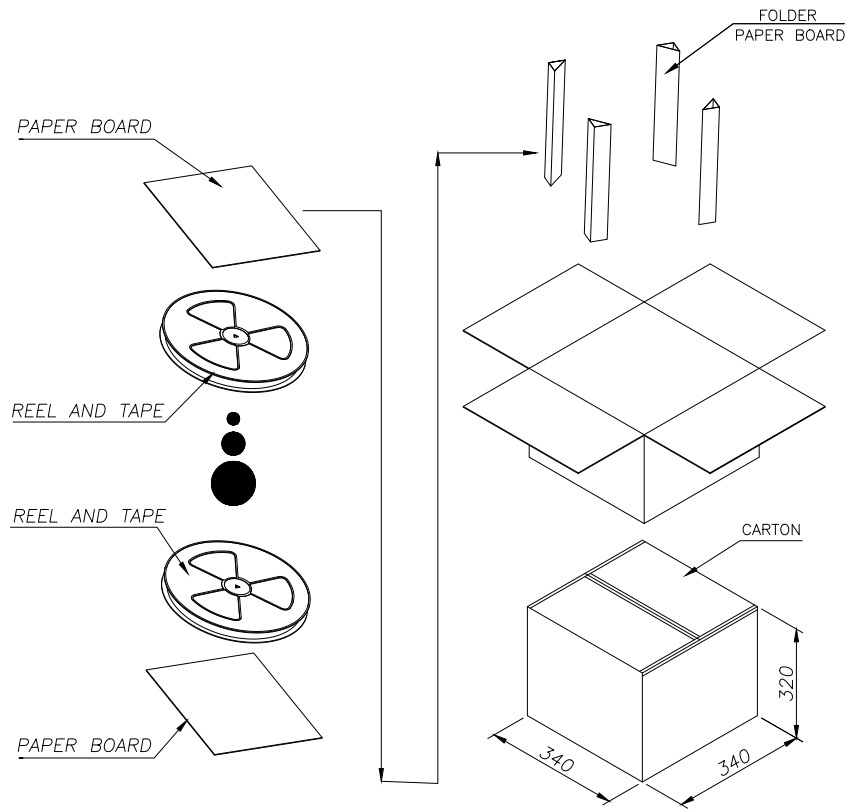
For technical support, please send an email to support@vitalconn.com



REV:	ECN. NO.	NAME	DATE



DETAIL X
SCALE 2:1



	REEL/TRAY	CARTON
CONNECTOR (PCS)	350	3500

TOLERANCE X.X ±0.30 X° ±10° .XX ±0.20 .X° ±8° .XXX ±0.10 .XX° ±5° UNITS mm		VITALCON a vital connector company		FOR YOUR VITAL CONNECTION	
TITLE:		USB CM VERTICAL TYPE HIGHT=9.0 W/O SHELL FEET			
DRAWN BY:	Zou Long	PART NO:	UC31-2A1H1K003-1HR-05	REV: A	
CHECKED BY:	Bob	SIZE: A4	UNIT:mm	SHEET:3 OF 3	FCN: F9
APPROVED BY:	QPF	PROJECTION		http://www.vitalconn.com	

For technical support, please send an email to support@vitalconn.com