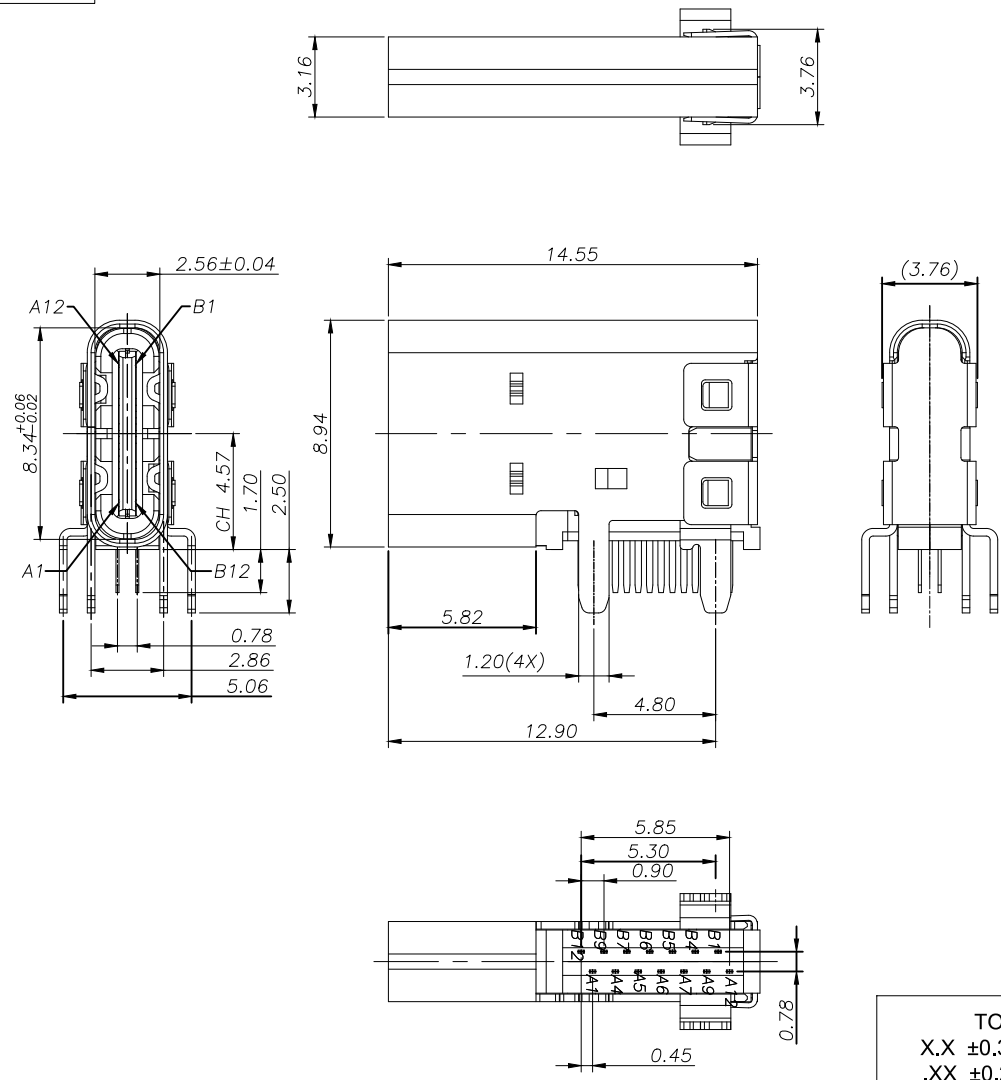




7		8	
REV:	ECN. NO.	NAME	DATE



NOTE:

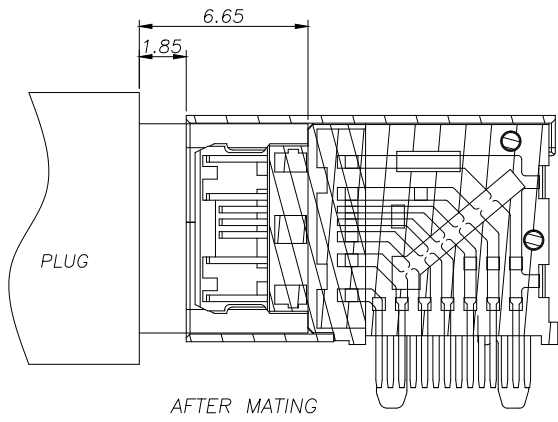
- MATERIAL SPECIFICATION:
  - HOUSING:HIGH TEMPERATURE RESISTANT PLASTIC,UL94 V-0.
  - TERMINAL: COPPER ALLOY
  - MID PLATE: STAINLESS STEEL
  - FRONT SHELL: STAINLESS STEEL
  - COVER: STAINLESS STEEL
- PLATING SPECIFICATION:
  - TERMINAL:
    - Ni 50u" MIN. UNDER PLATED OVER ALL.
    - Au PLATED ON THE FUNCTIONAL AREA OF CONTACT. (GOLD PLATING THICKNESS FOLLOW THE P/N)
    - PLATING SPECIFICATIONS OF THE SOLDER AREA FOLLOW THE P/N
  - FRONT SHELL:
    - Ni 30u" MIN. UNDER PLATED OVER ALL.
  - MID PLATE&COVER:
    - CLEAR ONLY
- MECHANICAL PERFORMANCE,
  - INSERTION FORCE: 0.5~2.0kgf.
  - REMOVAL FORCE: 0.8kgf~2.0kgf.
  - DURABILITY: 10000 CYCLES.
- ELECTRICAL PERFORMANCE,
  - VOLTAGE RATING:5 V DC/AC (RMS. max)  
CURRENT RATING:5 AMPS. FOR TOTAL VBUS/GND PINS;  
1.25AMPS FOR CC PIN,0.25 AMPS. FOR ALL OTHER CONTACT.
  - LLCR:
    - VBUS & GND PINS AND OTHER PINS: 40mΩ/PIN MAX.
    - SHIELD: 50mΩ/MAX.
    - LLCR MAX. CHANGE OF ALL PINS: 10mΩ.
  - INSULATION RESISTANCE: 100MΩ MIN
  - DIELECTRIC WITHSTAND VOLTAGE,AC 100V FOR 1 MINUTE.
- ENVIRONMENTAL PERFORMANCE:
  - OPERATING TEMPERATURE: -25°C~+85°C.
- IR REFLOW:
  - THE PEAK TEMPERATURE ON THE BOARD SHALL BE MAINTAINED FOR 10 SECONDS AT 260°C.

TOLERANCE X.X ±0.30 X° ±10° .XX ±0.20 .X° ±8° .XXX ±0.10 .XX° ±5° UNITS mm		<b>VITALCON</b> a vital connector company		FOR YOUR VITAL CONNECTION	
TITLE:		USB CF 14PIN UPRIGHT TYPE			
DRAWN BY:	Zou Long	PART NO:	UC22-4E1H1A103-0HR-12	REV: A	
CHECKED BY:	Bob	SIZE: A4	UNIT:mm	SHEET:1 OF 3	FCN: F9
APPROVED BY:	QPF	PROJECTION		http://www.vitalconn.com	

For technical support, please send an email to [support@vitalconn.com](mailto:support@vitalconn.com)

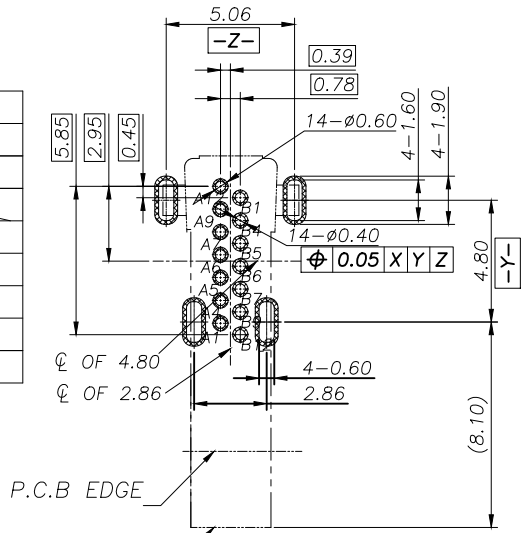


REV:	ECN. NO.	NAME	DATE



USB TYPE-C PIN ASSIGNMENTS

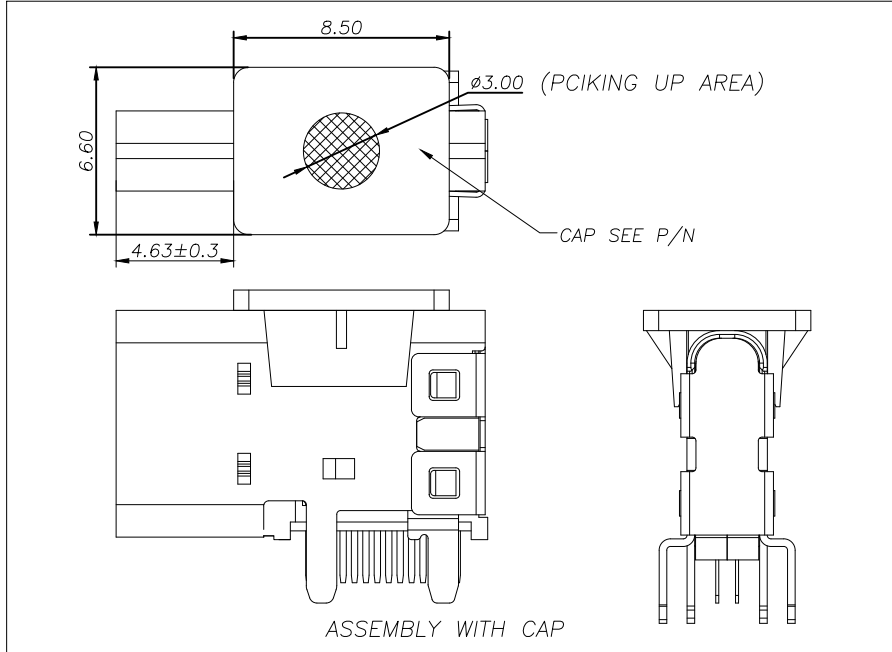
PIN NUMBER	SIGNAL NAME	PIN NUMBER	SIGNAL NAME
A1	GND	B12	GND
A4	VBUS	B9	VBUS
A5	CC1	B7	Dn2
A6	Dp1	B6	Dp2
A7	Dn1	B5	CC2
A9	VBUS	B4	VBUS
A12	GND	B1	GND



RECOMMENDED PCB LAYOUT(TOP VIEW)  
THICKNESS 1.6±0.10MM;DEFAULT TOLERANCE:±0.05

ORDER INFORMATION

P/N: UC22-4E1H1A103-0HR-12	
HOUSING MATERIAL E: PA9T	CAP 1: WITH CAP 0: WITHOUT CAP
HOUSING COLOR 1: BLACK	CONTACT FUNCTIONAL AREA PLATED 01: Au 1u" 03: Au 3u" 15: Au 15u"
SHELL PLATING 1: Ni	CONTACT SOLDER AREA PLATED 1: Au/G/F
CONTACT MATERIAL A: C1815	

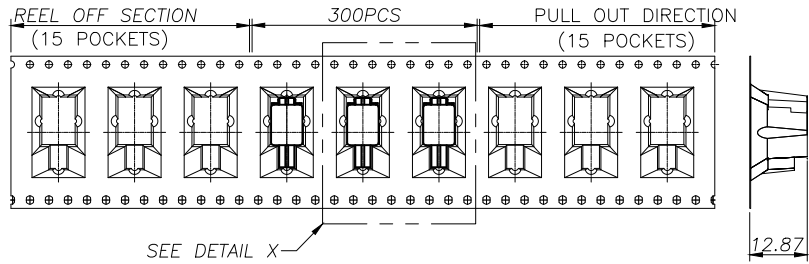


<p>TOLERANCE</p> <p>X.X ±0.30 X° ±10°</p> <p>.XX ±0.20 .X° ±8°</p> <p>.XXX ±0.10 .XX° ±5°</p> <p>UNITS mm</p>		<p><b>VITALCON</b></p> <p>a vital connector company</p>		<p>FOR YOUR VITAL CONNECTION</p>	
TITLE:		USB CF 14PIN UPRIGHT TYPE			
DRAWN BY:	Zou Long	PART NO:	UC22-4E1H1A103-0HR-12	REV: A	
CHECKED BY:	Bob	SIZE: A4	UNIT:mm	SHEET:2 OF 3	FCN: F9
APPROVED BY:	QPF	PROJECTION		http://www.vitalconn.com	

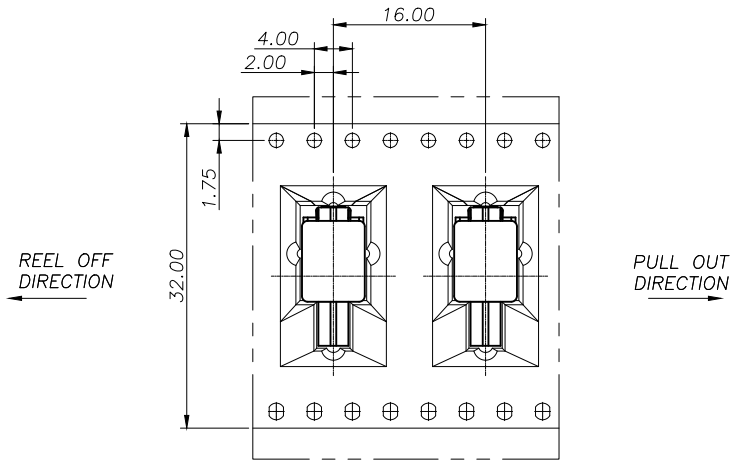
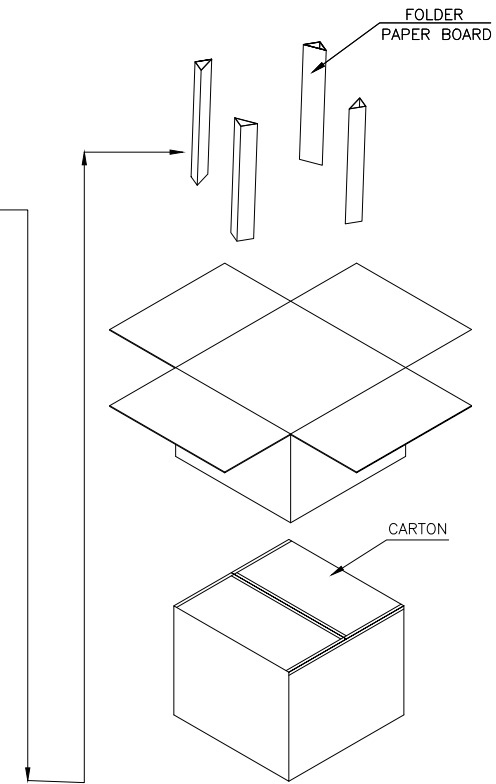
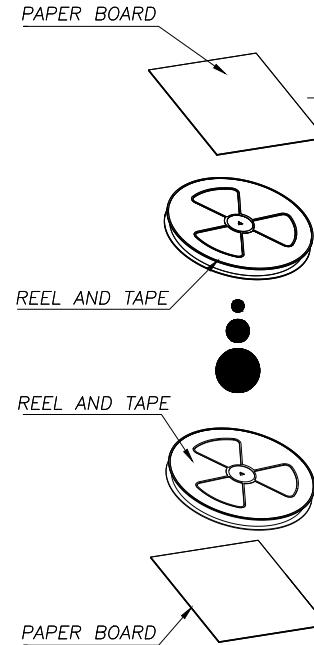
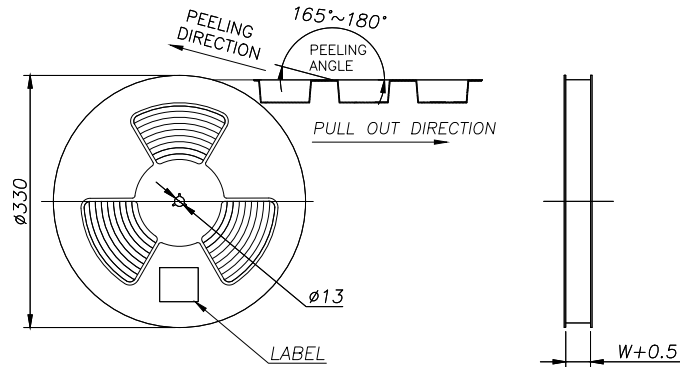
For technical support, please send an email to support@vitalconn.com



7		8	
REV:	ECN. NO.	NAME	DATE



SEE DETAIL X



SEE DETAIL X

	REEL	CARTON
CONNECTOR (PCS)	300	2400

<b>TOLERANCE</b> X.X ±0.30    X° ±10° .XX ±0.20    .X° ±8° .XXX ±0.10    .XX° ±5° UNITS            mm				<b>FOR YOUR VITAL CONNECTION</b>	
<b>TITLE:</b>		<b>USB CF 14PIN UPRIGHT TYPE</b>			
<b>DRAWN BY:</b> Zou Long	<b>PART NO:</b> UC22-4E1H1A103-0HR-12	<b>REV:</b> A		<b>FCN:</b> F9	
<b>CHECKED BY:</b> Bob	<b>SIZE:</b> A4	<b>UNIT:</b> mm	<b>SHEET:</b> 3 OF 3	<b>http://www.vitalconn.com</b>	
<b>APPROVED BY:</b> QPF	<b>PROJECTION</b>				

For technical support, please send an email to [support@vitalconn.com](mailto:support@vitalconn.com)