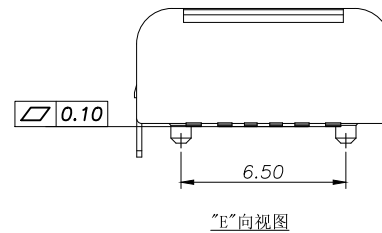
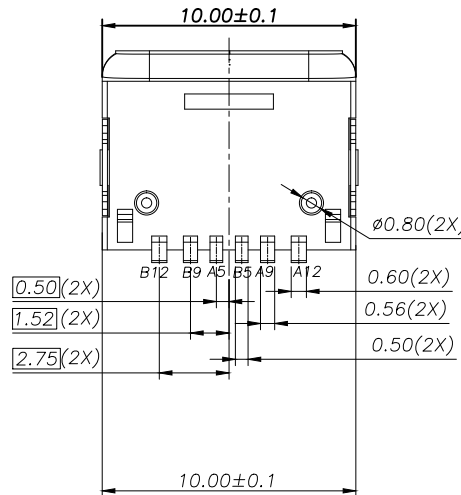
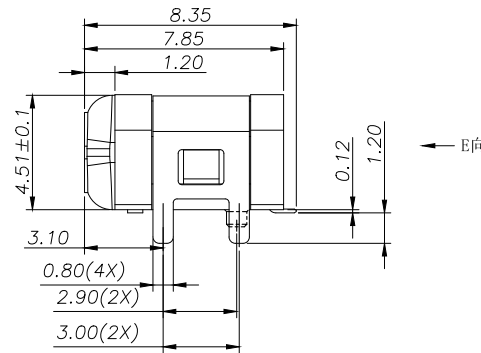
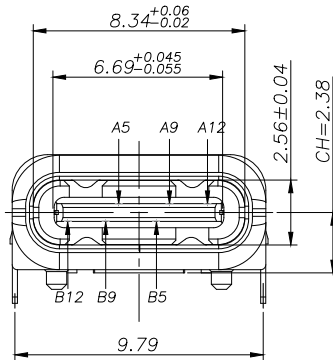
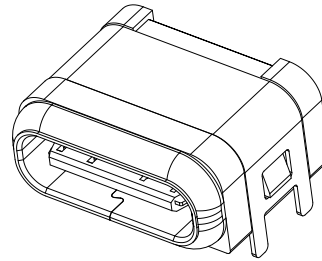
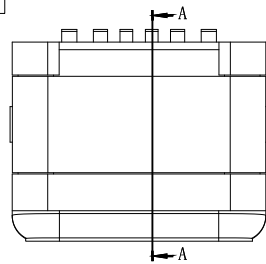




REV:	ECN. NO.	NAME	DATE



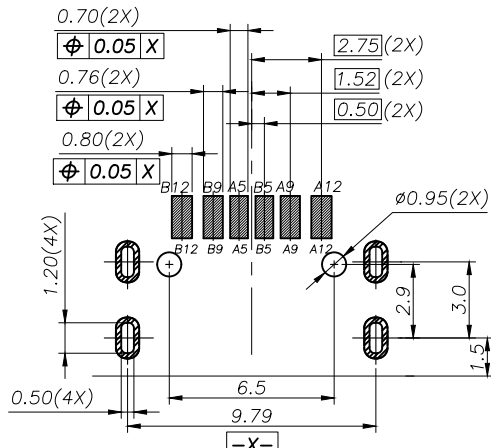
- NOTE:
- MATERIAL SPECIFICATION:
 - HOUSING: HIGH TEMPERATURE RESISTANT PLASTIC, UL94 V-0.
 - TERMINAL: COPPER ALLOY
 - MID PLATE: STAINLESS STEEL
 - FRONT SHELL: STAINLESS STEEL
 - OUT GASKET: UV GLUE RED
 - PLATING SPECIFICATION:
 - TERMINAL:
 - Ni 50u" MIN. UNDER PLATED OVER ALL.
 - Au PLATED ON THE FUNCTIONAL AREA OF CONTACT.
 - (GOLD PLATING THICKNESS FOLLOW THE P/N)
 - PLATING SPECIFICATIONS OF THE SOLDER AREA FOLLOW THE P/N
 - FRONT SHELL:
 - PLATING SPECIFICATIONS FOLLOW THE P/N
 - MID PLATE:
 - CLEAR ONLY
 - MECHANICAL PERFORMANCE,
 - INSERTION FORCE: 0.5~2.0kgf.
 - REMOVAL FORCE: 0.8kgf~2.0kgf.
 - DURABILITY: 10000 CYCLES.
 - ELECTRICAL PERFORMANCE,
 - VOLTAGE RATING: 5 V DC/AC (RMS. max)
CURRENT RATING: 3 AMPS. FOR TOTAL VBUS/GND PINS;
1.25AMPS FOR CC PIN, 0.25 AMPS. FOR ALL OTHER CONTACT.
 - LLCR:
 - VBUS & GND PINS AND OTHER PINS: 40mΩ/PIN MAX.
 - LLCR MAX. CHANGE OF ALL PINS: 10mΩ.
 - INSULATION RESISTANCE: 100MΩ MIN
 - DIELECTRIC WITHSTAND VOLTAGE, AC 100V FOR 1 MINUTE.
 - ENVIRONMENTAL PERFORMANCE:
 - OPERATING TEMPERATURE: -25°C~+85°C.
 - IR REFLOW:
 - THE PEAK TEMPERATURE ON THE BOARD SHALL BE MAINTAINED FOR 10 SECONDS AT 260°C.
 - WATERPROOF: IPX5

TOLERANCE		 a vital connector company	FOR YOUR VITAL CONNECTION	
X.X ±0.30	X° ±10°		TITLE:	USB TYPE C 6POS TOP-MOUNT SMT WATERPROOF
.XX ±0.20	.X° ±8°	DRAWN BY:	Zou Long	PART NO:
.XXX ±0.10	.XX° ±5°	CHECKED BY:	Bob	SIZE:
UNITS	mm	APPROVED BY:	QPF	PROJECTION
				http://www.vitalconn.com

For technical support, please send an email to support@vitalconn.com



REV:	ECN. NO.	NAME	DATE



RECOMMENDED PCB LAYOUT(TOP VIEW)
THICKNESS 0.80MM;DEFAULT TOLERANCE:±0.05

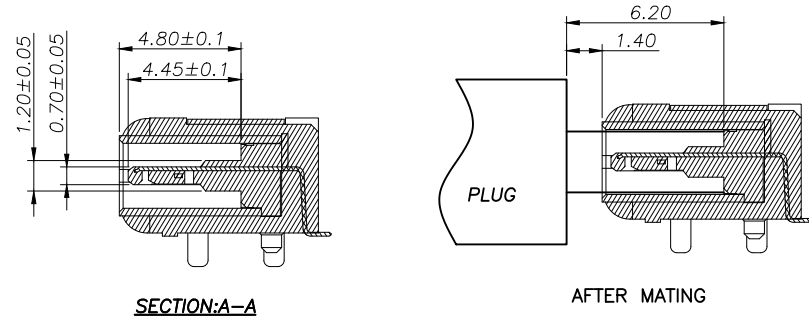
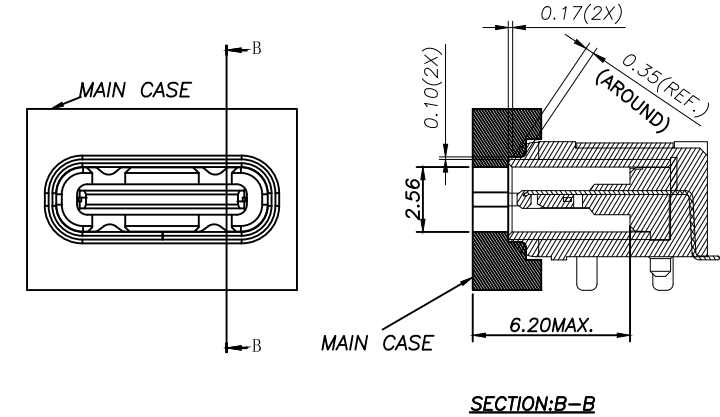
PIN ASSIGNMENTS

A5	CC1	B12	GND
A9	VBUS	B9	VBUS
A12	GND	B5	CC2
PIN	SIGNAL NAME	PIN	SIGNAL NAME

ORDER INFORMATION

P/N:	UC22-2A1H1E001-0HR-27
HOUSING MATERIAL	A: LCP
HOUSING COLOR	1: BLACK
SHELL MATERIAL	H:SUS304
SHELL PLATING	1: Ni
	H: HF
	CONTACT FUNCTIONAL AREA PLATED
	01: Au 1u"
	03: Au 3u"
	15: Au 15u"
	30: Au 30u"
	CONTACT SOLDER AREA PLATED
	0: Sn
	CONTACT MATERIAL
	E: C2680

RECOMMENDED OPENING DIMENSIONS OF CASE MATING AREA WITH SEALING RING

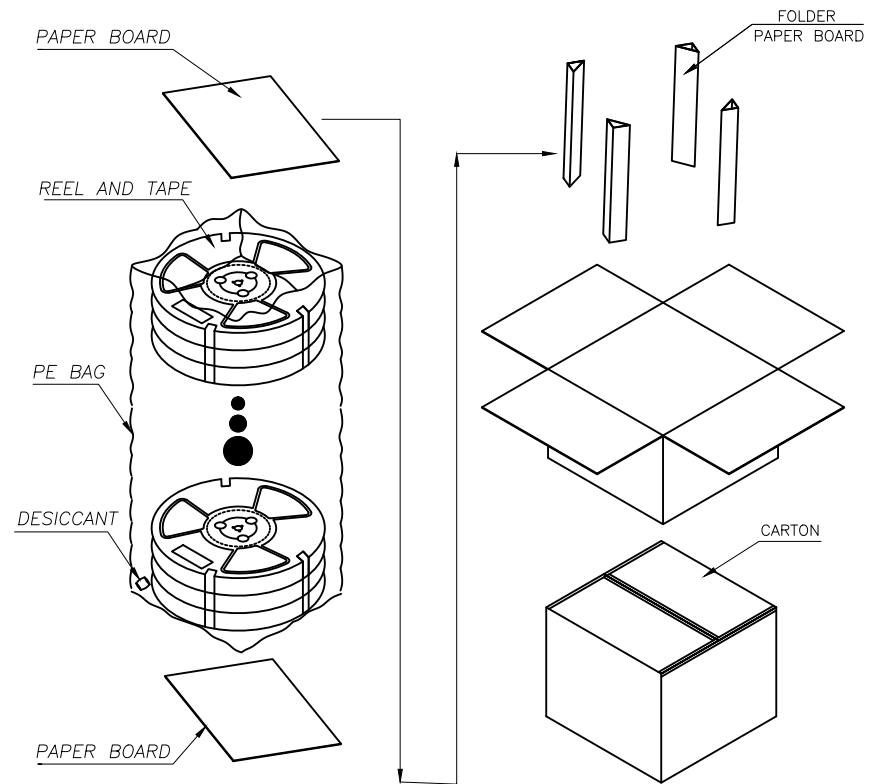
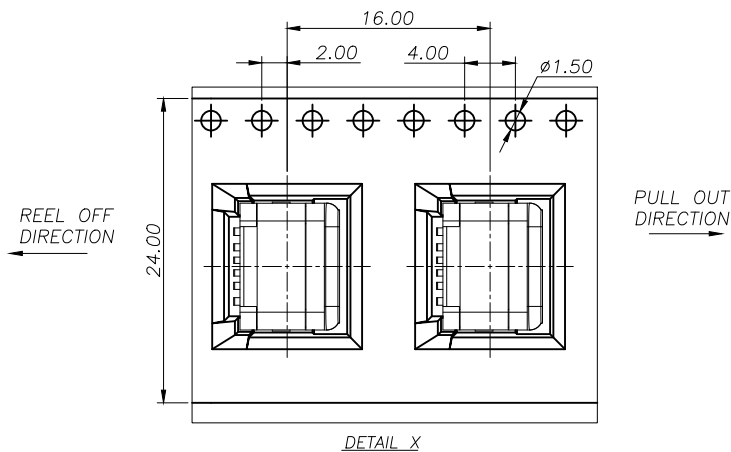
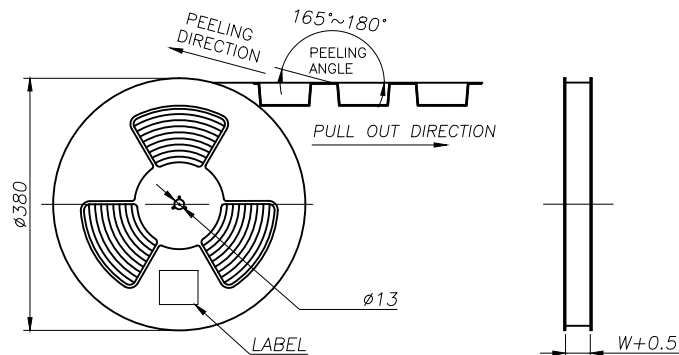
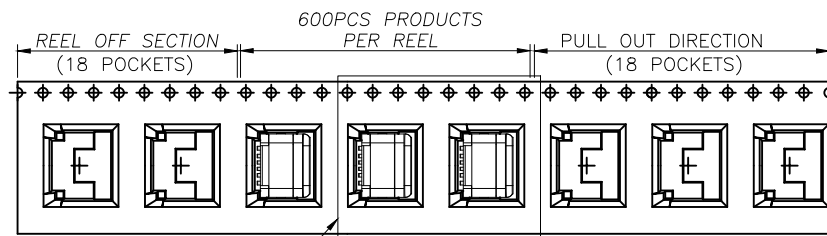


TOLERANCE		VITALCON a vital connector company	FOR YOUR VITAL CONNECTION	
X.X ±0.30	X° ±10°		USB TYPE C 6POS TOP-MOUNT SMT WATERPROOF	
.XX ±0.20	.X° ±8°	TITLE:	REV: A	
.XXX ±0.10	.XX° ±5°	PART NO:	UC22-2A1H1E001-0HR-27	FCN: F9
UNITS	mm	SIZE: A4	UNIT:mm	SHEET:2 OF 3
DRAWN BY:	Zou Long	PROJECTION	http://www.vitalconn.com	
CHECKED BY:	Bob			
APPROVED BY:	QPF			

For technical support, please send an email to support@vitalconn.com



REV:	ECN. NO.	NAME	DATE



	REEL/TRAY	CARTON
CONNECTOR (PCS)	600	6000

TOLERANCE X.X ± 0.30 X° $\pm 10^{\circ}$.XX ± 0.20 .X° $\pm 8^{\circ}$.XXX ± 0.10 .XX° $\pm 5^{\circ}$ UNITS mm				FOR YOUR VITAL CONNECTION	
TITLE:		USB TYPE C 6POS TOP-MOUNT SMT WATERPROOF			
DRAWN BY: Zou Long	PART NO: UC22-2A1H1E001-0HR-27	REV: A		FCN: F9	
CHECKED BY: Bob	SIZE: A4	UNIT: mm	SHEET: 3 OF 3	http://www.vitalconn.com	
APPROVED BY: QPF	PROJECTION				

For technical support, please send an email to support@vitalconn.com