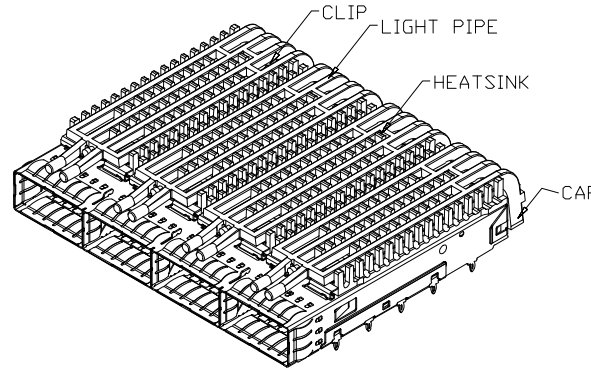
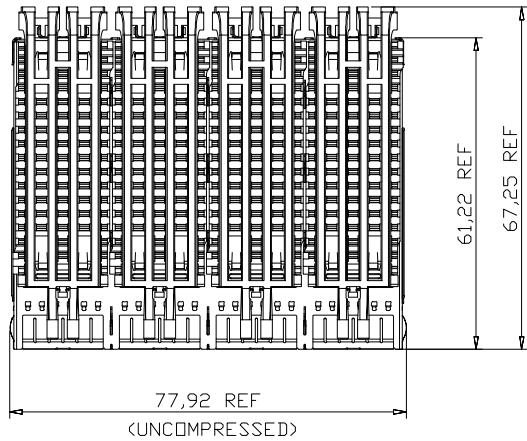
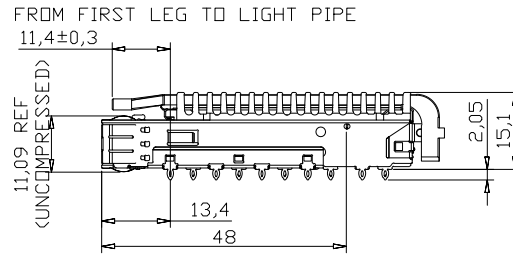
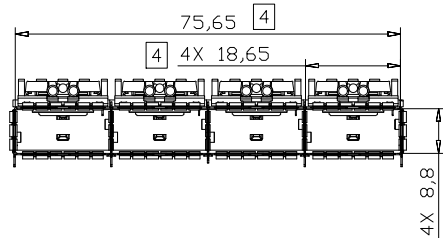




REV:	ECN. NO.	NAME	DATE

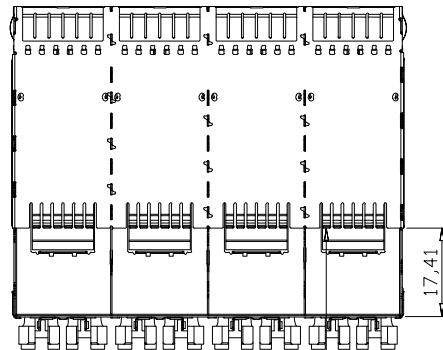


- MATERIALS:**
 CAGE UP: STAINLESS STEEL, 0,25 THICKNESS
 CAGE DOWN: STAINLESS STEEL, 0,25 THICKNESS
 PARTITION: STAINLESS STEEL
 EMI FINGERS: STAINLESS STEEL
 HEATSINK: ALUMINUM
 HEATSINK CLIP: STAINLESS STEEL
 LIGHT PIPE MATERIAL: CLEAR POLYCARBONATE
 CAP: THERMOPLASTIC 94V-0, BLACK
- SURFACE FINISH:**
 BODY CAGE: CLEANING
 EMI SPRING FINISH: CLEANING AND HOLE SEALING
 HEATSINK FINISH: BLACK ANODIZED
 HEATSINK CLIP FINISH: CLEANING
- MATE WITH QSFP MSA COMPATIBLE TRANSCEIVER.**
- INSIDE SURFACE OF CASSET WHEN FULLY COMPRESSED.**
- REFERENCE DOCUMENTS:**
 PRODUCT SPECIFICATION: SFF-8663
- THIS PRODUCT COMPLY TO ROHS DIRECTIVE 2011/65/EU.**



S5014 0 9 2 2 0 S A4

- REAR LEGS:**
 0=W/O REAR LEG
 1=W/ 1 REAR LEG
- LIGHT PIPE & CAP OPTION:**
 0=W/O Light Pipe
 1=W/Single Light Pipe(Round)(Dim. A=9.7mm)
 2=W/Double Light Pipe(Round)(Dim. A=9.7mm)
 5=W/Quad Light Pipe(Round)(Dim. A=9.7mm)
 6=W/Light Pipe(Round)(Dim. A=10.7mm)
 7=W/Double Light Pipe(Round)(Dim. A=13.4mm)
 8=W/Double Light Pipe(Round)(Dim. A=9.7mm)
 9=W/Double Light Pipe(Round)(Dim. A=11.4mm)
- LIGHT PIPE & PLATING OPTION:**
 0=W/O Light Pipe
 1=Ø2.67mm For Single Light Pipe
 2=Ø2.67mm For Double Light Pipe
 3=Ø2.00mm For Double Light Pipe
 A=Ø2.67mm For Quad Light Pipe
 B=Ø2.00mm For Quad Light Pipe
 C=Ø2.00mm For Single Light Pipe
 F=Ø2.67mm For Double Light Pipe
- PROCESS OPTION:**
 0=W/O Heatsink, Open Top
 1=W/PCI(Heatsink 4.2mm)
 2=W/SAN(Heatsink 6.5mm)
 3=W/Networking(Heatsink 13.5mm)
 4=Squate pin style heat sink



UNDER BELLY EMI FINGERS

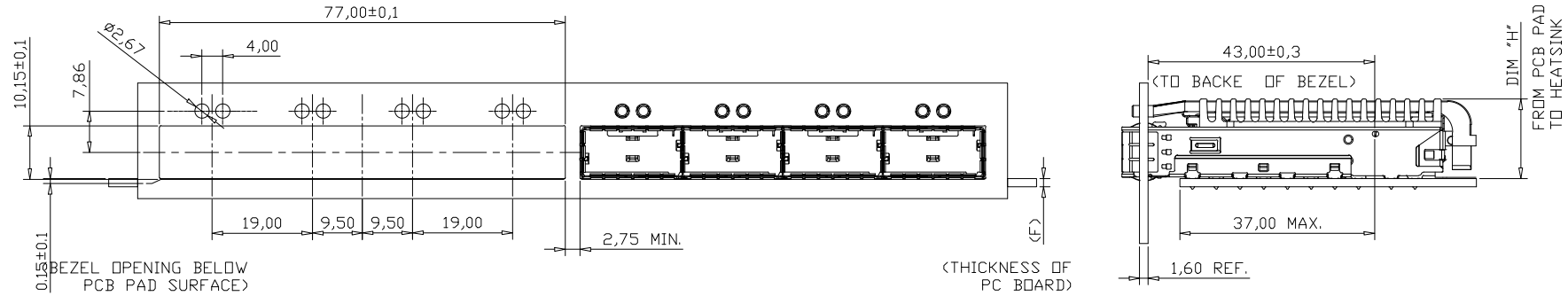
GENERAL TOLERANCE .X±0.30 .X±1° .XX±0.20 .XX±5° .XXX±0.10		VITALCON a vital connector company		FOR YOUR VITAL CONNECTION	
TITLE:		QSFP+28G 1X4 CAGE			
DRAWN BY:	Zou Long	PART NO:	S501409220SA4	REV: A	
CHECKED BY:	Bob	SIZE: A4	UNIT:mm	SHEET:1 OF 6	FCN: A4
APPROVED BY:	QPF	PROJECTION		http://www.vitalconn.com	

For technical support, please send an email to support@vitalconn.com

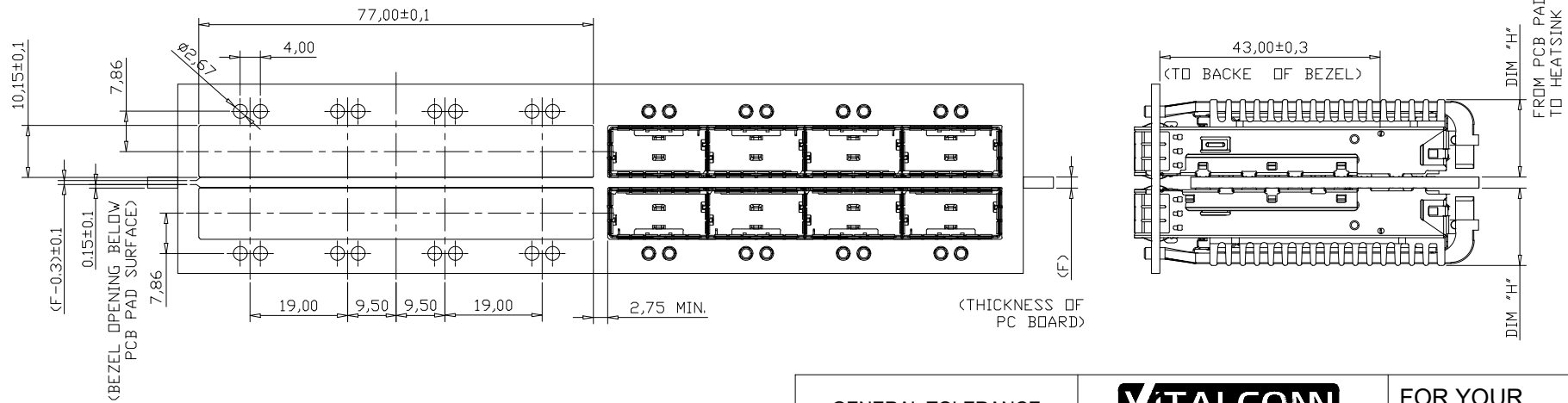


REV:	ECN. NO.	NAME	DATE

BEZEL AND BOARD POSITION DIMENSION FOR SINGLE SIDE MOUNTING (SPRING FINGER)



BEZEL AND BOARD POSITION DIMENSION FOR BELLY TO BELLY MOUNTING (SPRING FINGER)



NOTES:

- THE NORMAL THICKNESS OF CUSTOMER SUPPLIED PC BOARD.(DIM. "F")
SINGLE SIDED PC BOARD THICKNESS: 1.60mm MIN.
BELLY TO BELLY PC BOARD MIN. THICKNESS: 3.0mm MIN.
- GENERAL TOLERANCE: ±0.05.

GENERAL TOLERANCE
 .X±0.30 .X±1°
 .XX±0.20 .XX±5°
 .XXX±0.10



FOR YOUR VITAL CONNECTION

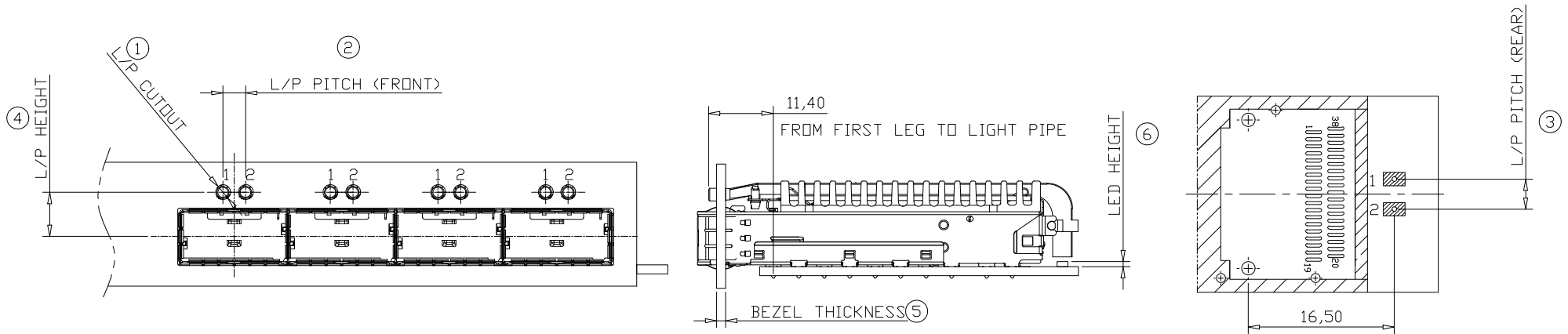
TITLE: QSFP+28G 1X4 CAGE

DRAWN BY:	Zou Long	PART NO:	S501409220SA4	REV: A
CHECKED BY:	Bob	SIZE: A4	UNIT:mm	SHEET:2 OF 6
APPROVED BY:	QPF	PROJECTION		FCN: A4
For technical support, please send an email to support@vitalconn.com		http://www.vitalconn.com		



7		8	
REV:	ECN. NO.	NAME	DATE

THE DIMENSION FOR MATING BEZEL (UNIT: mm)								
CODE	L/P APPEARANCE	L/P CUT-OUT	L/P PITCH (FRONT)	L/P PITCH (REAR)	L/P HEIGHT	BEZEL THICKNESS	LED HEIGHT	REMARK
0	NO L/P							WITHOUT LIGHT PIPE
A	ROUND	∅2.67	4.00(Equal)	1,4=15.75 2,3=3.40	7.86	1.60	0.8~1.1	APPLIES TO QUAD L/P
		①	②	③	④	⑤	⑥	



GENERAL TOLERANCE
.X±0.30 .X±1°
.XX±0.20 .XX±5°
.XXX±0.10



FOR YOUR VITAL CONNECTION

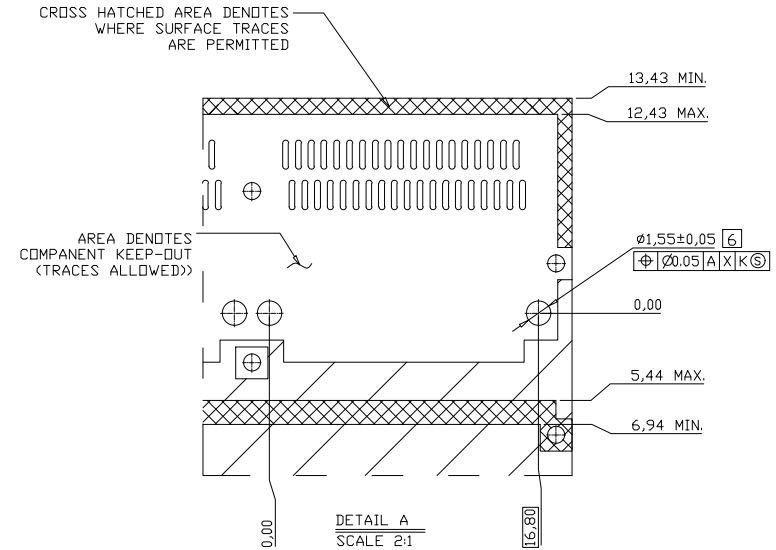
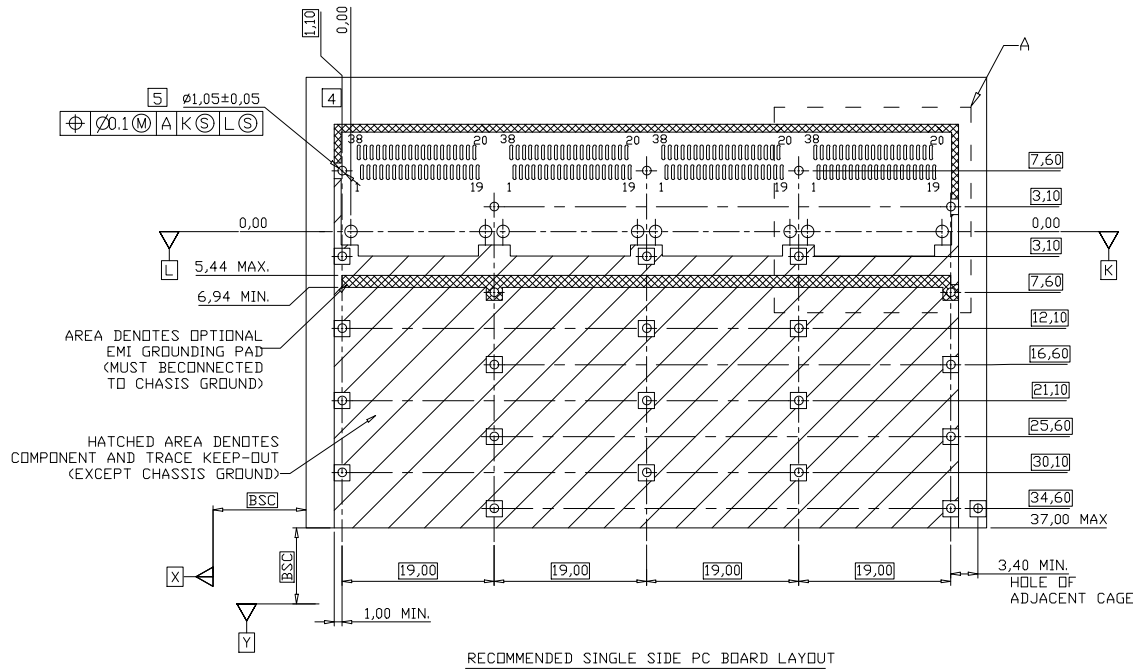
TITLE: QSFP+28G 1X4 CAGE

DRAWN BY:	Zou Long	PART NO:	S501409220SA4	REV: A
CHECKED BY:	Bob	SIZE: A4	UNIT:mm	SHEET:3 OF 6
APPROVED BY:	QPF	PROJECTION		FCN: A4
			http://www.vitalconn.com	

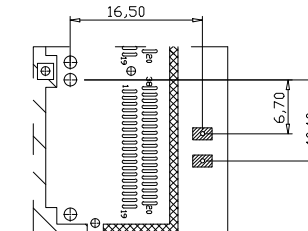
For technical support, please send an email to support@vitalconn.com



REV:	ECN. NO.	NAME	DATE



FOR CAGE ASSEMBLIES WITH LIGHT PIPES



NOTES:

- DATUM X & Y ARE ESTABLISHED BY THE CUSTOMER'S FIDUCIAL
- DATUM A IS THE TOP SURFACE OF THE HOST BOARD
- LOCATION OF THE EDGE OF PCB IS APPLICATION SPECIFIC
- BASELINE FOR THESE DIMENSIONS IS THE CENTER OF COMPLIANT PIN HOLE.
- FINISHED HOLE SIZE
- UNPLATED THRU HOLE.
- REFER TO SFF8662 FOR CONNECTOR FOOTING DIMENSIONS

For technical support, please send an email to support@vitalconn.com

GENERAL TOLERANCE
 .X±0.30 .X±1°
 .XX±0.20 .XX±5°
 .XXX±0.10



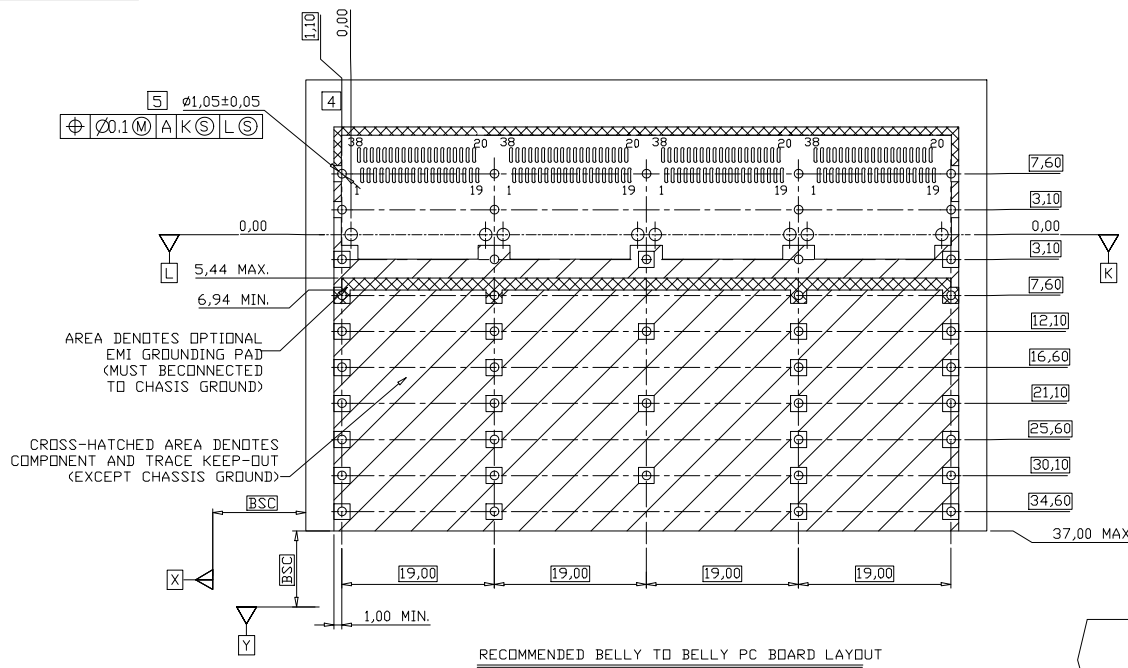
FOR YOUR VITAL CONNECTION

TITLE: QSFP+28G 1X4 CAGE

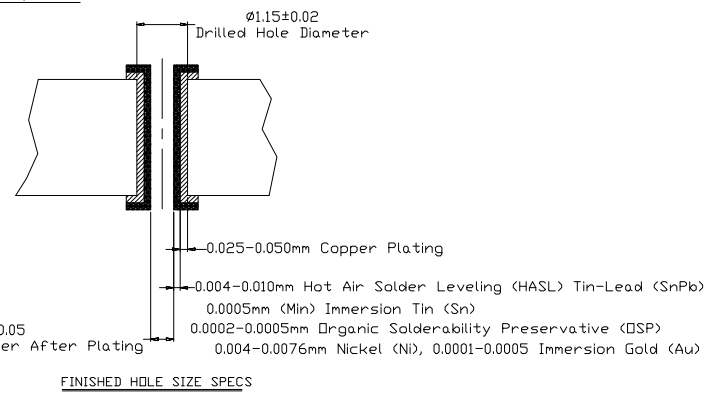
DRAWN BY:	Zou Long	PART NO:	S501409220SA4	REV: A
CHECKED BY:	Bob	SIZE: A4	UNIT:mm	SHEET:4 OF 6
APPROVED BY:	QPF	PROJECTION		FCN: A4
			http://www.vitalconn.com	



7		8	
REV:	ECN. NO.	NAME	DATE



RECOMMENDED BELLY TO BELLY PC BOARD LAYOUT



FINISHED HOLE SIZE SPECS

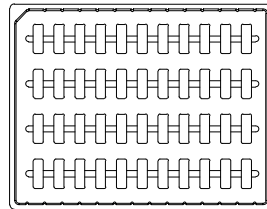
For technical support, please send an email to support@vitalconn.com

GENERAL TOLERANCE .X±0.30 .X±1° .XX±0.20 .XX±5° .XXX±0.10		VITALCONN a vital connector company		FOR YOUR VITAL CONNECTION	
DRAWN BY: Zou Long		TITLE: QSFP+28G 1X4 CAGE		PART NO: S501409220SA4	
CHECKED BY: Bob		SIZE: A4		UNIT:mm	
APPROVED BY: QPF		PROJECTION		SHEET:5 OF 6	
				FCN: A4	
				http://www.vitalconn.com	

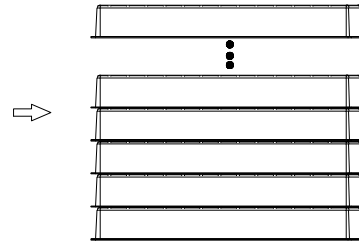


7		8	
REV:	ECN. NO.	NAME	DATE

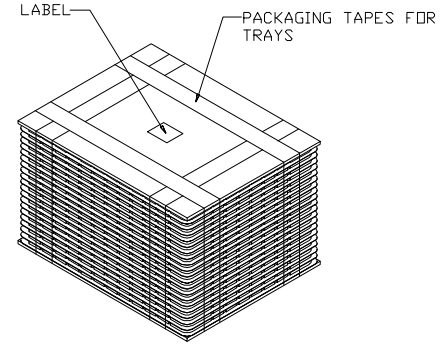
PACKAGE INFORMATION AND LABEL



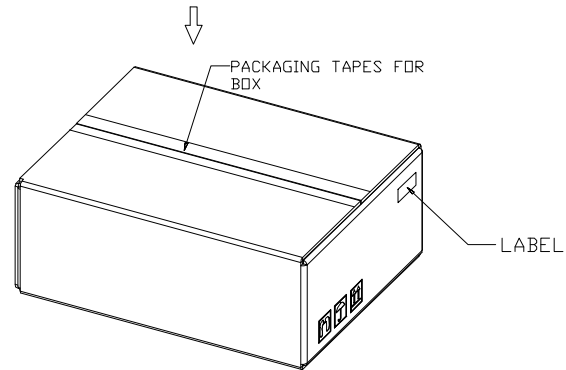
1. PRODUCTS IN TRAYS



2. TRAYS OVERLAY:
 <THE NEXT TRAY NEED ROTATE 180 DEGREE AND PUT IT ON PREVIOUS TRAY.>
 <相邻两个吸塑间水平方向成180度摆放>



3. LABEL & PACKAGING TAPES FOR TRAYS:



4. LABEL & PACKAGING TAPES FOR BOX

PACKAGING LISTS	
ITEM	Q'TY
PRODUCT	54 PCS
TRAY	6 PCS
BOX(L340*W265*H200MM)	1 PCS
LABLE	2 PCS
PACKAGING TAPES	8 M (ABOUT)

GENERAL TOLERANCE .X±0.30 .X±1° .XX±0.20 .XX±5° .XXX±0.10		VITALCONN a vital connector company		FOR YOUR VITAL CONNECTION	
DRAWN BY: Zou Long		TITLE: QSFP+28G 1X4 CAGE		REV: A	
CHECKED BY: Bob		PART NO: S501409220SA4		FCN: A4	
APPROVED BY: QPF		SIZE: A4		UNIT:mm	
PROJECTION				SHEET:6 OF 6	
				http://www.vitalconn.com	

For technical support, please send an email to support@vitalconn.com