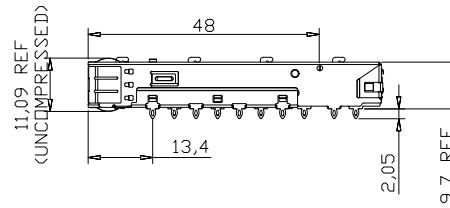
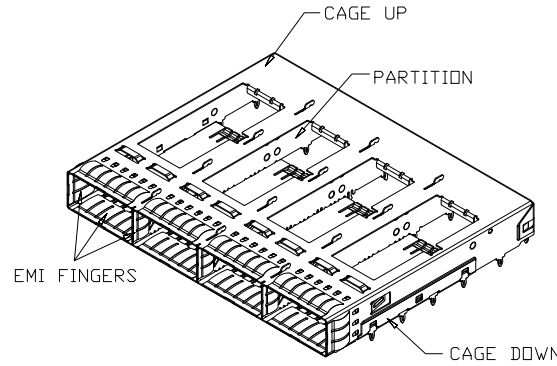
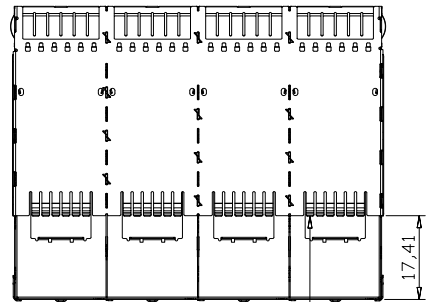
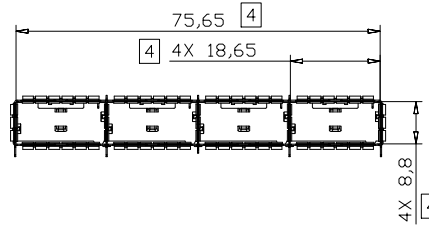
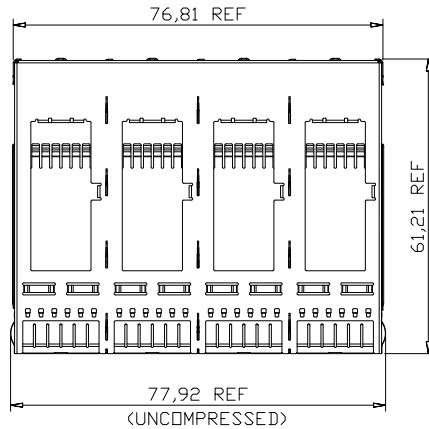




7		8	
REV:	ECN. NO.	NAME	DATE

BASE CAGE DETAILS



- MATERIALS:
CAGE UP: STAINLESS STEEL, 0,25 THICKNESS
CAGE DOWN: STAINLESS STEEL, 0,25 THICKNESS
PARTITION: STAINLESS STEEL
EMI FINGERS: STAINLESS STEEL
- SURFACE FINISH:
BODY CAGE: CLEANING
EMI SPRING FINISH: CLEANING AND HOLE SEALING
HEATSINK FINISH: BLACK ANODIZED
HEATSINK CLIP FINISH: CLEANING
- MATE WITH QSFP MSA COMPATIBLE TRANSCEIVER.
 INSIDE SURFACE OF CASSET WHEN FULLY COMPRESSED.
- REFERENCE DOCUMENTS:
PRODUCT SPECIFICATION: SFF-8663
- THIS PRODUCT COMPLY TO ROHS DIRECTIVE 2011/65/EU.

S5014 0 0 0 0 S A4
1 2 3 4

- REAR LEGS:
0=W/O REAR LEG
1=W/ 1 REAR LEG
- LIGHT PIPE & CAP OPTION:
0=W/O Light Pipe, W/O CAP
1=W/ Light Pipe, W/O CAP
2=W/ Light Pipe, W/ CAP
- LIGHT PIPE DIM "A" & PLATING OPTION:
0=W/O Light Pipe
1=DIM A=10.7mm, W/O Silver Color plating
2=DIM "A"=9.7mm, W/O Silver Color plating
3=DIM A=10.7mm, W/Silver Color plating
4=DIM "A"=9.7mm, W/Silver Color plating
- PROCESS OPTION:
0=W/O Heatsink, Open Top
1=W/PCI(Heatsink 4.2mm)
2=W/SAN(Heatsink 6.5mm)
3=W/Networking(Heatsink 13.5mm)

GENERAL TOLERANCE
.X±0.30 .X±1°
.XX±0.20 .XX±5°
.XXX±0.10



FOR YOUR VITAL CONNECTION

TITLE: QSFP+28G 1X4 CAGE

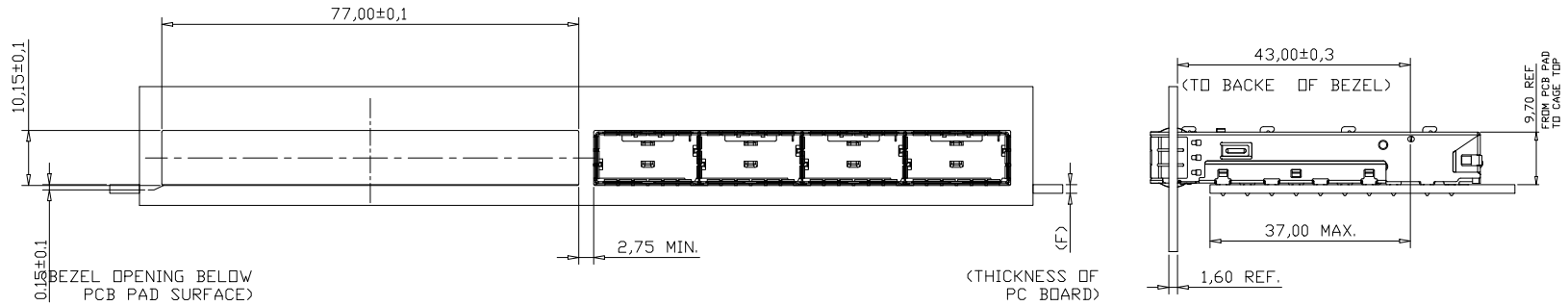
DRAWN BY:	Zou Long	PART NO:	S501400000SA4	REV: A
CHECKED BY:	Bob	SIZE: A4	UNIT:mm	SHEET:1 OF 5 FCN: A4
APPROVED BY:	QPF	PROJECTION		http://www.vitalconn.com

For technical support, please send an email to support@vitalconn.com

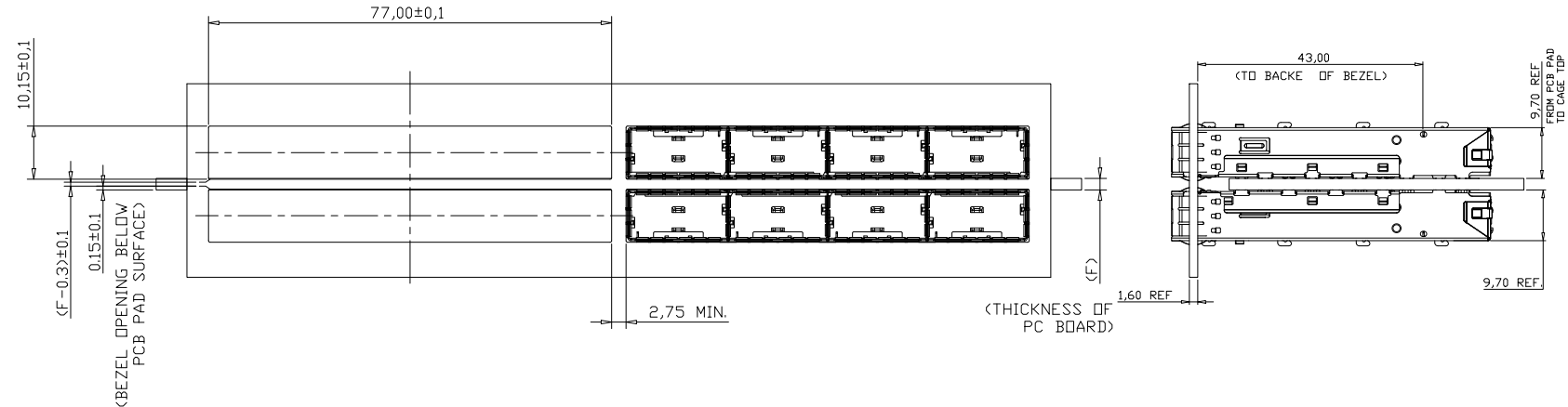


REV:	ECN. NO.	NAME	DATE

BEZEL AND BOARD POSITION DIMENSION FOR SINGLE SIDE MOUNTING <SPRING FINGER>



BEZEL AND BOARD POSITION DIMENSION FOR BELLY TO BELLY MOUNTING <SPRING FINGER>



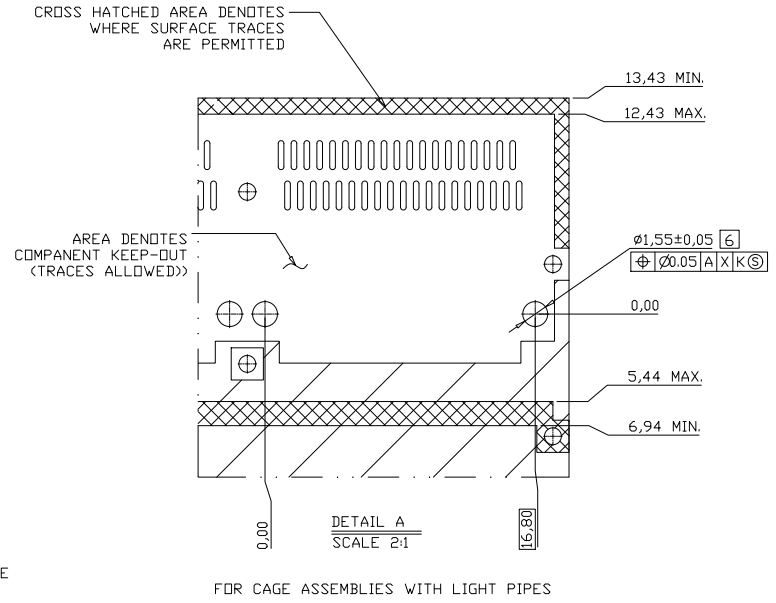
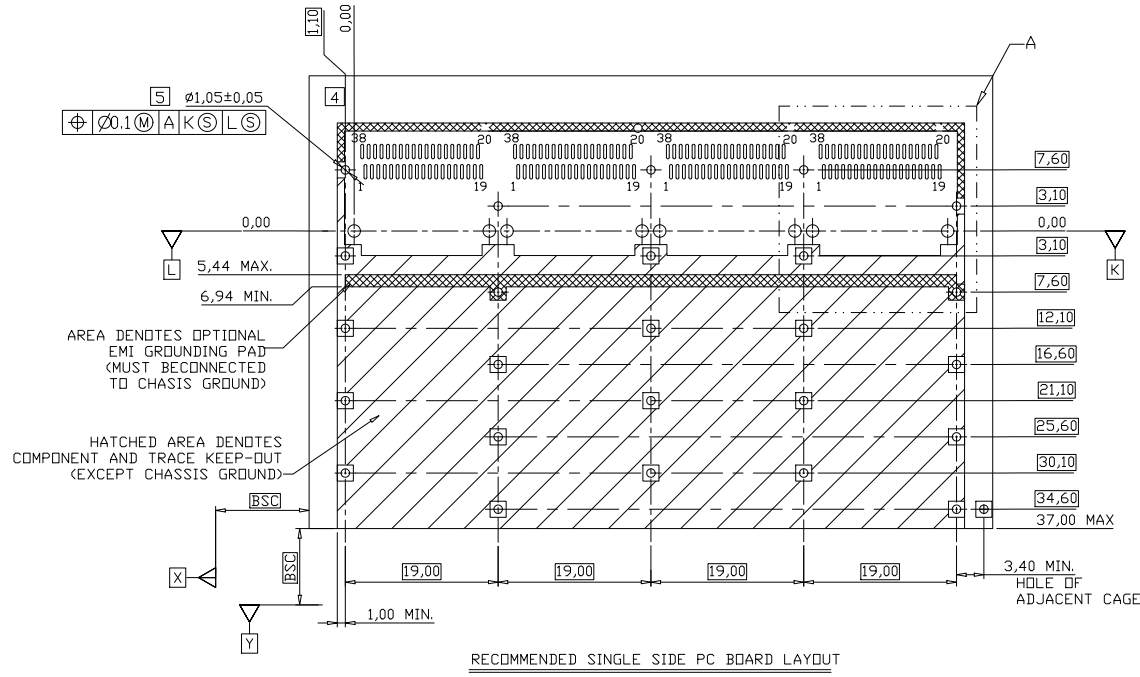
- NOTES:
1. THE NORMAL THICKNESS OF CUSTOMER SUPPLIED PC BOARD.(DIM. "F")
SINGLE SIDED PC BOARD THICKNESS: 1.60mm MIN.
BELLY TO BELLY PC BOARD MIN. THICKNESS: 3.0mm MIN.
 2. GENERAL TOLERANCE: ±0.05.

GENERAL TOLERANCE .X±0.30 .X±1° .XX±0.20 .XX±5° .XXX±0.10		VITALCON a vital connector company		FOR YOUR VITAL CONNECTION	
TITLE:		QSFP+28G 1X4 CAGE			
DRAWN BY:	Zou Long	PART NO:	S501400000SA4	REV: A	
CHECKED BY:	Bob	SIZE: A4	UNIT:mm	SHEET:1 OF 5	FCN: A4
APPROVED BY:	QPF	PROJECTION		http://www.vitalconn.com	

For technical support, please send an email to support@vitalconn.com



REV:	ECN. NO.	NAME	DATE



- NOTES:
- DATUM X & Y ARE ESTABLISHED BY THE CUSTOMER'S FIDUCIAL
 - DATUM A IS THE TDP SURFACE OF THE HOST BOARD
 - LOCATION OF THE EDGE OF PCB IS APPLICATION SPECIFIC
 - BASELINE FOR THESE DIMENSIONS IS THE CENTER OF COMPLIANT PIN HOLE.
 - FINISHED HOLE SIZE
 - UNPLATED THRU HOLE.
 - REFER TO SFF8662 FOR CONNECTOR FOOTING DIMENSIONS

RECOMMENDED SINGLE SIDE PC BOARD LAYOUT

DETAIL A
SCALE 2:1
FOR CAGE ASSEMBLIES WITH LIGHT PIPES

For technical support, please send an email to support@vitalconn.com

GENERAL TOLERANCE
 .X±0.30 .X±1°
 .XX±0.20 .XX±5°
 .XXX±0.10



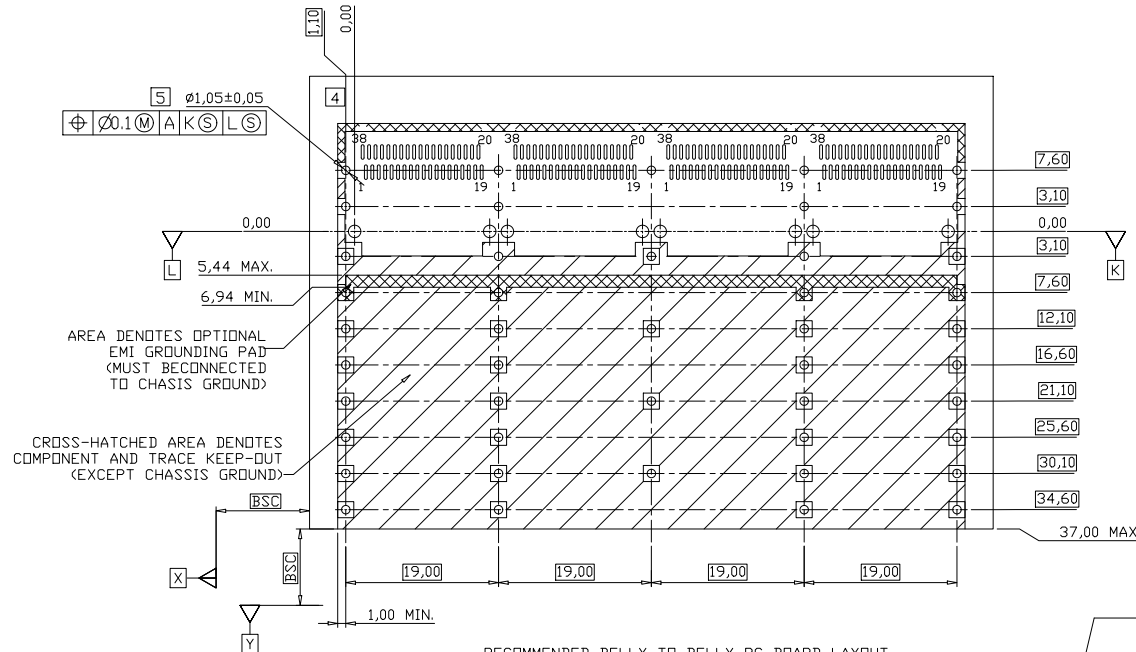
FOR YOUR
VITAL CONNECTION

TITLE: QSFP+28G 1X4 CAGE

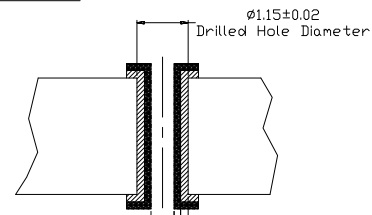
DRAWN BY:	Zou Long	PART NO:	S501400000SA4	REV: A
CHECKED BY:	Bob	SIZE: A4	UNIT:mm	SHEET:1 OF 5
APPROVED BY:	QPF	PROJECTION		FCN: A4
			http://www.vitalconn.com	



7		8	
REV:	ECN. NO.	NAME	DATE



RECOMMENDED BELLY TO BELLY PC BOARD LAYOUT



$\phi 1.15 \pm 0.02$
 Drilled Hole Diameter
 0.025-0.050mm Copper Plating
 0.004-0.010mm Hot Air Solder Leveling (HASL) Tin-Lead (SnPb)
 0.0005mm (Min) Immersion Tin (Sn)
 0.0002-0.0005mm Organic Solderability Preservative (OSP)
 0.004-0.0076mm Nickel (Ni), 0.0001-0.0005 Immersion Gold (Au)
 $\phi 1.05 \pm 0.05$
 Finished Hole Diameter After Plating
FINISHED HOLE SIZE SPECS

For technical support, please send an email to support@vitalconn.com

GENERAL TOLERANCE .X±0.30 .X±1° .XX±0.20 .XX±5° .XXX±0.10		 a vital connector company		FOR YOUR VITAL CONNECTION	
DRAWN BY: Zou Long		PART NO: S50140000SA4		REV: A	
CHECKED BY: Bob		SIZE: A4		UNIT:mm	SHEET:1 OF 5
APPROVED BY: QPF		PROJECTION		 http://www.vitalconn.com	