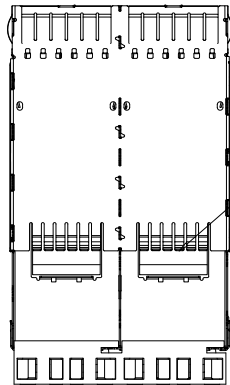
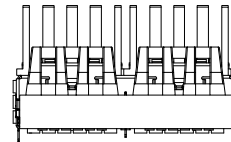
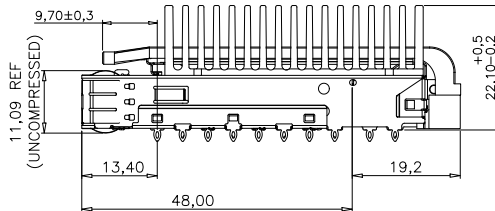
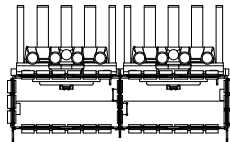
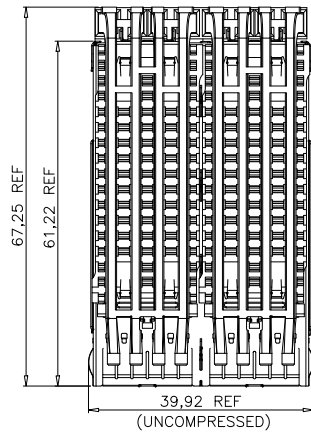




7		8	
REV:	ECN. NO.	NAME	DATE



UNDER BELLY EMI FINGERS

- MATERIALS:
 CAGE UP: STAINLESS STEEL, 0.25 THICKNESS
 CAGE DOWN: STAINLESS STEEL, 0.25 THICKNESS
 PARTITION: STAINLESS STEEL
 EMI FINGERS: STAINLESS STEEL
 HEATSINK: ALUMINUM
 HEATSINK CLIP: STAINLESS STEEL
 LIGHT PIPE MATERIAL: CLEAR POLYCARBONATE
 CAP: THERMOPLASTIC 94V-0, BLACK
- SURFACE FINISH:
 BODY CAGE: CLEANING
 EMI SPRING FINISH: CLEANING AND HOLE SEALING
 HEATSINK FINISH: BLACK ANODIZED
 HEATSINK CLIP FINISH: CLEANING
- MATE WITH QSFP MSA COMPATIBLE TRANSCEIVER.
- INSIDE SURFACE OF CASSET WHEN FULLY COMPRESSED.
- REFERENCE DOCUMENTS:
 PRODUCT SPECIFICATION: SFF-8663
- THIS PRODUCT COMPLY TO ROHS DIRECTIVE 2011/65/EU.

S5012 0 2 2 3 0 S A4

- REAR LEGS:
 - 0=W/O REAR LEG
 - 1=W/ 1 REAR LEG
- LIGHT PIPE & CAP OPTION:
 - 0=W/O Light Pipe, W/O CAP
 - 1=W/ Light Pipe, W/O CAP
 - 2=W/ Light Pipe, W/ CAP
- LIGHT PIPE DIM "A" & PLATING OPTION:
 - 0=W/O Light Pipe
 - 1=DIM A=10.7mm, W/O Silver Color plating
 - 2=DIM "A"=9.7mm, W/O Silver Color plating
 - 3=DIM A=10.7mm, W/Silver Color plating
 - 4=DIM "A"=9.7mm, W/Silver Color plating
- PROCESS OPTION:
 - 0=W/O Heatsink, Open Top
 - 1=W/PCI(Heatsink 4.2mm)
 - 2=W/SAN(Heatsink 6.5mm)
 - 3=W/Networking(Heatsink 13.5mm)

GENERAL TOLERANCE
 .X±0.30 .X±1°
 .XX±0.20 .XX±5°
 .XXX±0.10



FOR YOUR
 VITAL CONNECTION

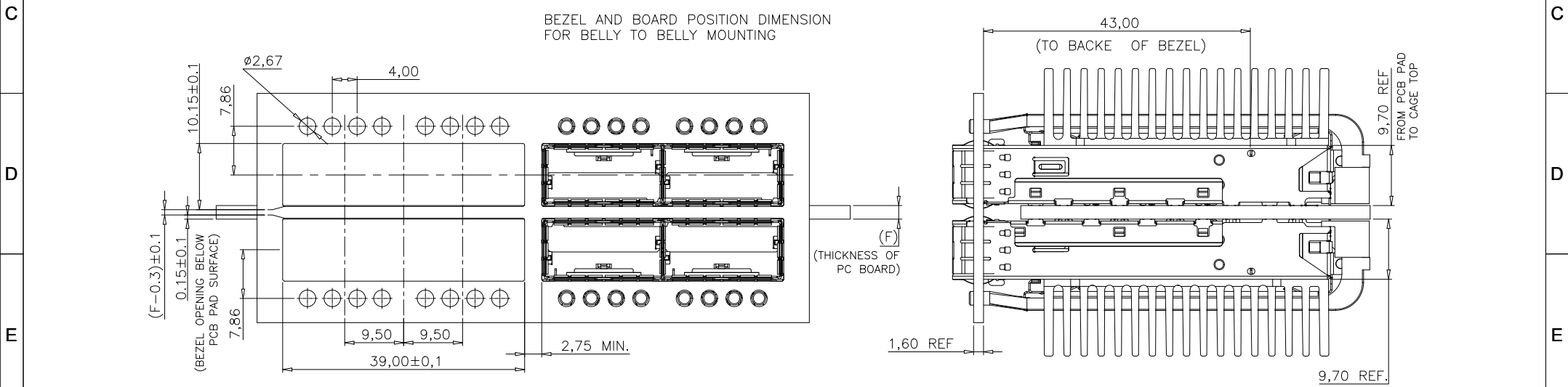
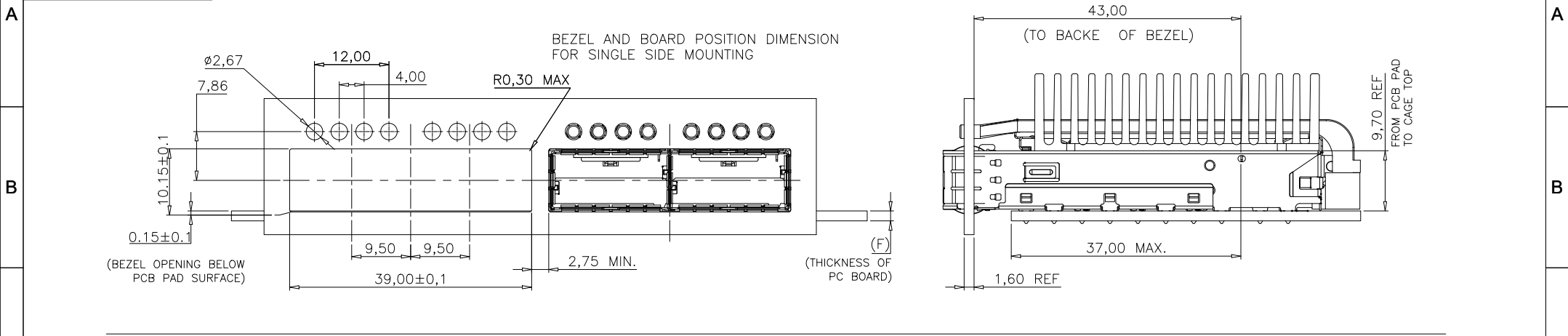
TITLE: QSFP+28G 1X2 CAGE

DRAWN BY:	Zou Long	PART NO:	S501202230SA4	REV: A
CHECKED BY:	Bob	SIZE: A4	UNIT:mm	SHEET:1 OF 5 FCN: A4
APPROVED BY:	QPF	PROJECTION		http://www.vitalconn.com

For technical support, please send an email to support@vitalconn.com



REV:	ECN. NO.	NAME	DATE



- NOTES:
1. THE NORMAL THICKNESS OF CUSTOMER SUPPLIED PC BOARD.(DIM. "F")
SINGLE SIDED PC BOARD THICKNESS: 1,60mm MIN.
BELLY TO BELLY PC BOARD THICKNESS: 3,0mm MIN.
 2. GENERAL TOLERANCE: ±0,05.

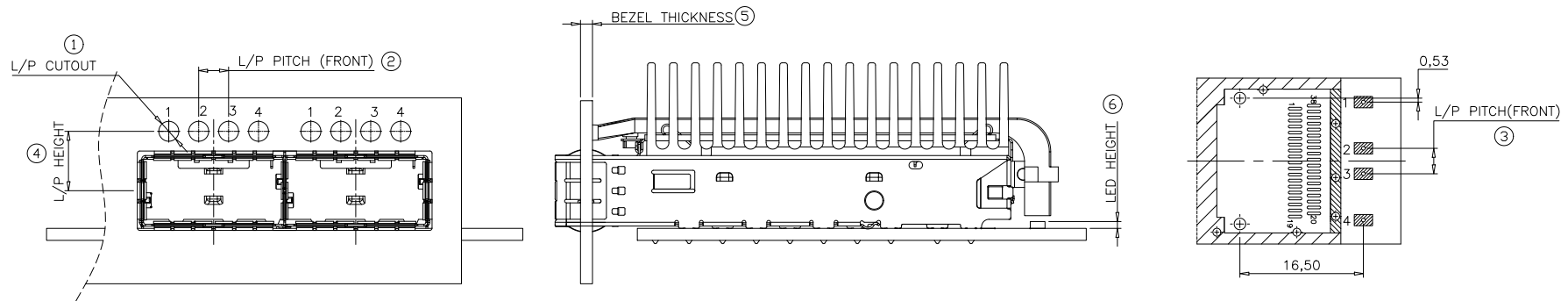
GENERAL TOLERANCE .X±0.30 .X±1° .XX±0.20 .XX±5° .XXX±0.10		VITALCON a vital connector company		FOR YOUR VITAL CONNECTION	
TITLE:		QSFP+28G 1X2 CAGE			
DRAWN BY:	Zou Long	PART NO:	S501202230SA4	REV: A	
CHECKED BY:	Bob	SIZE: A4	UNIT:mm	SHEET:2 OF 5	FCN: A4
APPROVED BY:	QPF	PROJECTION		http://www.vitalconn.com	

For technical support, please send an email to support@vitalconn.com



7		8	
REV:	ECN. NO.	NAME	DATE

THE DIMENSION FOR MATING BEZEL (UNIT: mm)								
CODE	L/P APPEARANCE	L/P CUT-OUT	L/P PITCH (FRONT)	L/P PITCH (REAR)	L/P HEIGHT	BEZEL THICKNESS	LED HEIGHT	REMARK
0	NO L/P							WITHOUT LIGHT PIPE
A	ROUND	∅2.67	4.00(Equal)	1,4=15.75 2,3=3.40	7.86	1.60	0.8~1.1	APPLIES TO QUAD L/P
		①	②	③	④	⑤	⑥	

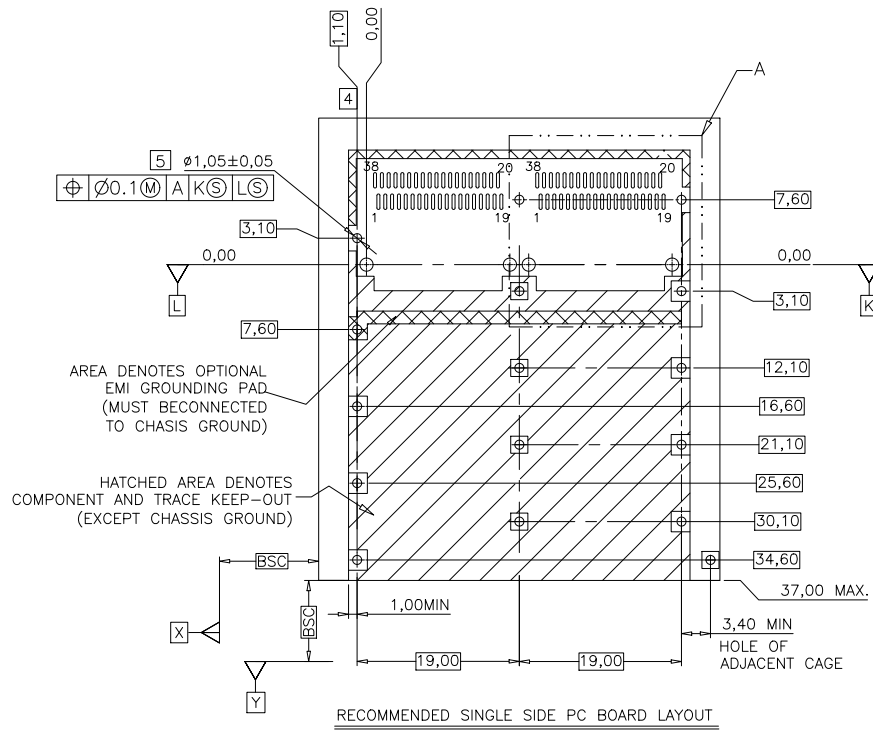


For technical support, please send an email to support@vitalconn.com

GENERAL TOLERANCE .X±0.30 .X±1° .XX±0.20 .XX±5° .XXX±0.10		VITALCONN a vital connector company		FOR YOUR VITAL CONNECTION	
DRAWN BY: Zou Long		TITLE: QSFP+28G 1X2 CAGE		REV: A	
CHECKED BY: Bob		PART NO: S501202230SA4		UNIT:mm	
APPROVED BY: QPF		SIZE: A4		SHEET:3 OF 5	
		PROJECTION		FCN: A4	
				http://www.vitalconn.com	



REV:	ECN. NO.	NAME	DATE

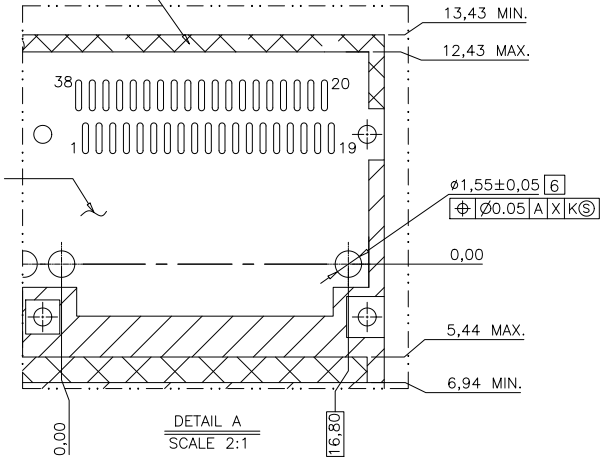


NOTES:

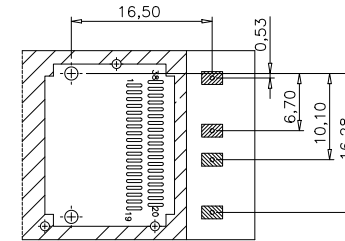
- DATUM X & Y ARE ESTABLISHED BY THE CUSTOMER'S FIDUCIAL
- DATUM A IS THE TOP SURFACE OF THE HOST BOARD
- LOCATION OF THE EDGE OF PCB IS APPLICATION SPECIFIC
- BASELINE FOR THESE DIMENSIONS IS THE CENTER OF COMPLIANT PIN HOLE.
- FINISHED HOLE SIZE
- UNPLATED THRU HOLE.
- REFER TO SFF8662 FOR CONNECTOR FOOTING DIMENSIONS

CROSS HATCHED AREA DENOTES WHERE SURFACE TRACES ARE PERMITTED

AREA DENOTES COMPONENT KEEP-OUT (TRACES ALLOWED)



FOR CAGE ASSEMBLIES WITH LIGHT PIPES



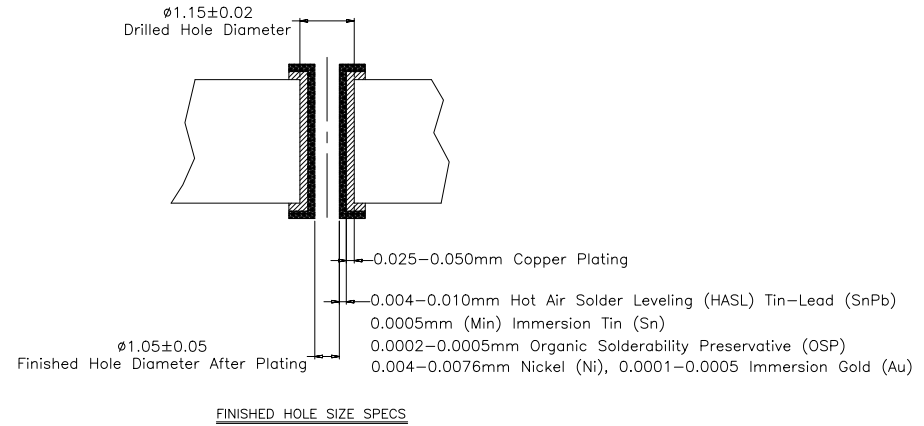
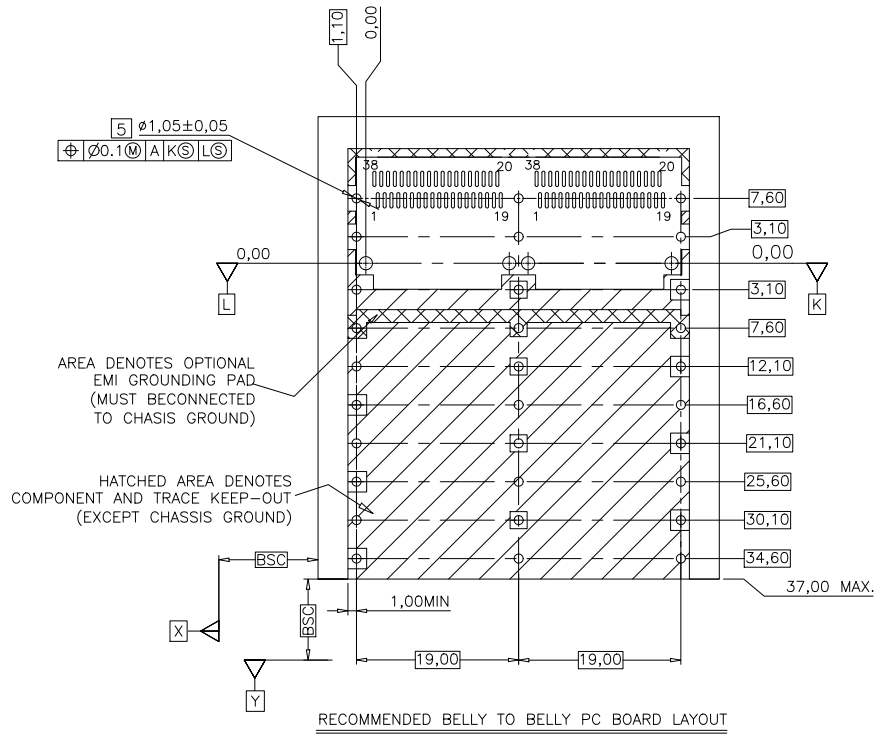
F

For technical support, please send an email to support@vitalconn.com

GENERAL TOLERANCE .X±0.30 .X±1° .XX±0.20 .XX±5° .XXX±0.10		VITALCON a vital connector company		FOR YOUR VITAL CONNECTION	
DRAWN BY: Zou Long		TITLE: QSFP+28G 1X2 CAGE		PART NO: S501202230SA4	
CHECKED BY: Bob		SIZE: A4		UNIT:mm	
APPROVED BY: QPF		PROJECTION		SHEET:4 OF 5	
				FCN: A4	
				http://www.vitalconn.com	



7		8	
REV:	ECN. NO.	NAME	DATE



For technical support, please send an email to support@vitalconn.com

GENERAL TOLERANCE .X±0.30 .X±1° .XX±0.20 .XX±5° .XXX±0.10		VITALCON a vital connector company		FOR YOUR VITAL CONNECTION	
TITLE:		QSFP+28G 1X2 CAGE			
DRAWN BY:	Zou Long	PART NO:	S501202230SA4	REV: A	
CHECKED BY:	Bob	SIZE: A4	UNIT:mm	SHEET:5 OF 5	FCN: A4
APPROVED BY:	QPF	PROJECTION		http://www.vitalconn.com	