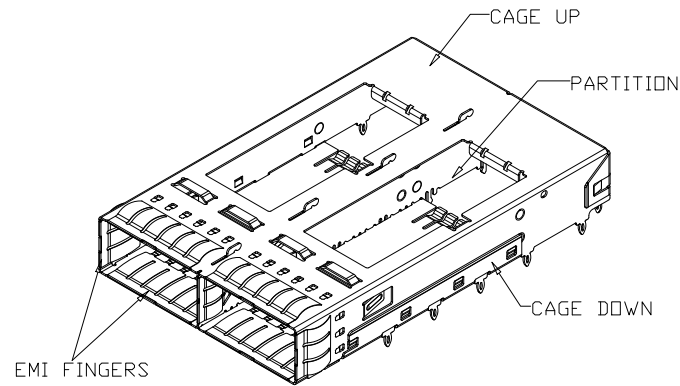
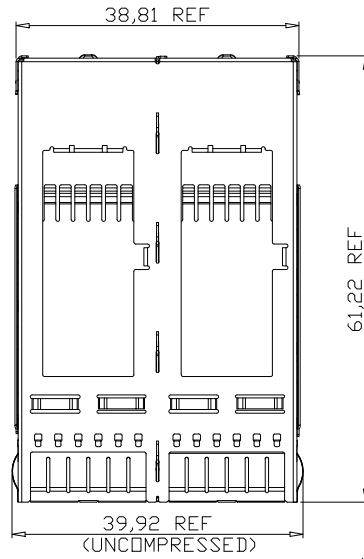
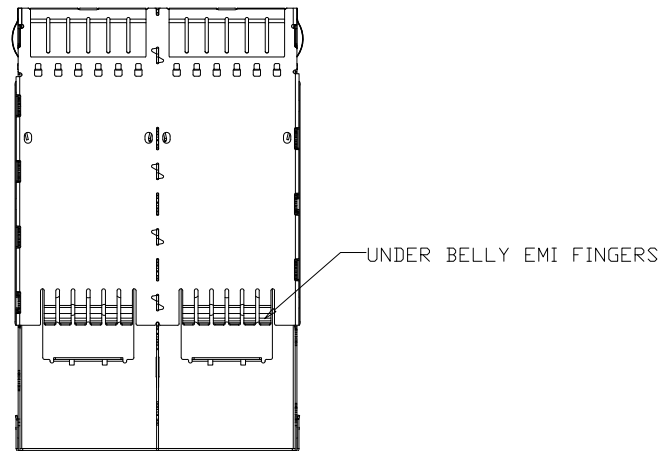
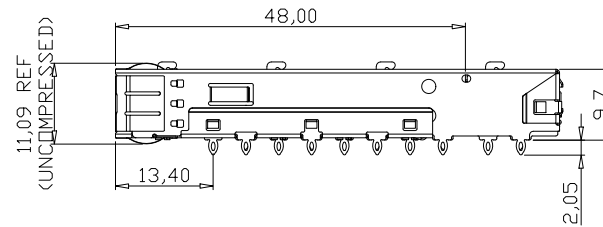
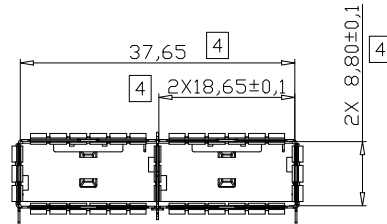




7		8	
REV:	ECN. NO.	NAME	DATE



- MATERIALS:  
 CAGE UP: STAINLESS STEEL, 0,25 THICKNESS  
 CAGE DOWN: STAINLESS STEEL, 0,25 THICKNESS  
 EMI FINGERS: STAINLESS STEEL
- SURFACE FINISH:  
 BODY CAGE: CLEANING  
 EMI SPRING FINISH: CLEANING AND HOLE SEALING
- MATE WITH QSFP MSA COMPATIBLE TRANSCEIVER.  
 ④ INSIDE SURFACE OF CASSET WHEN FULLY COMPRESSED.
- REFERENCE DOCUMENTS:  
 PRODUCT SPECIFICATION: QSFP MSA
- THIS PRODUCT COMPLY TO ROHS DIRECTIVE 2011/65/EU.



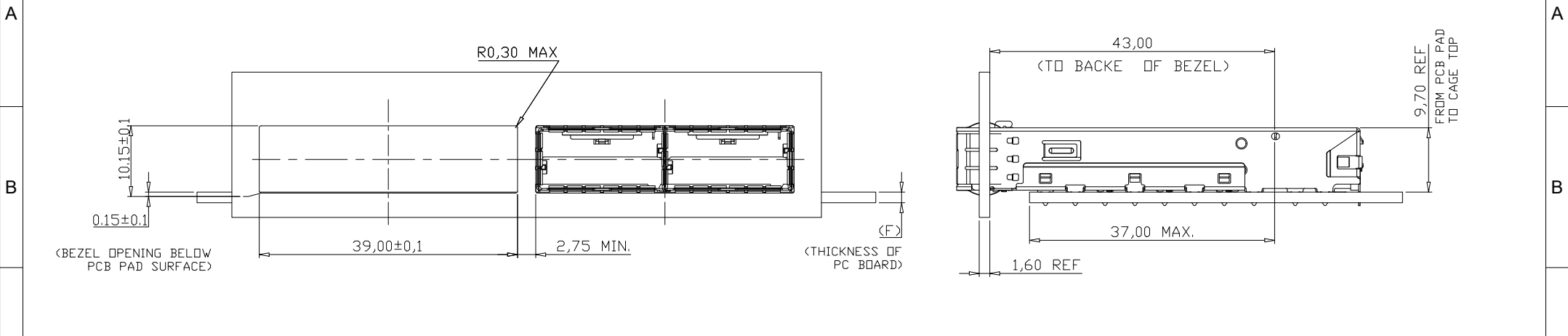
GENERAL TOLERANCE .X±0.30 .X±1° .XX±0.20 .XX±5° .XXX±0.10		<b>VITALCON</b> a vital connector company		FOR YOUR VITAL CONNECTION	
TITLE:		QSFP+28G 1X2 CAGE			
DRAWN BY:	Zou Long	PART NO:	S20120000SA4	REV: A	
CHECKED BY:	Bob	SIZE: A4	UNIT:mm	SHEET:1 OF 4	FCN: A4
APPROVED BY:	QPF	PROJECTION		http://www.vitalconn.com	

For technical support, please send an email to [support@vitalconn.com](mailto:support@vitalconn.com)

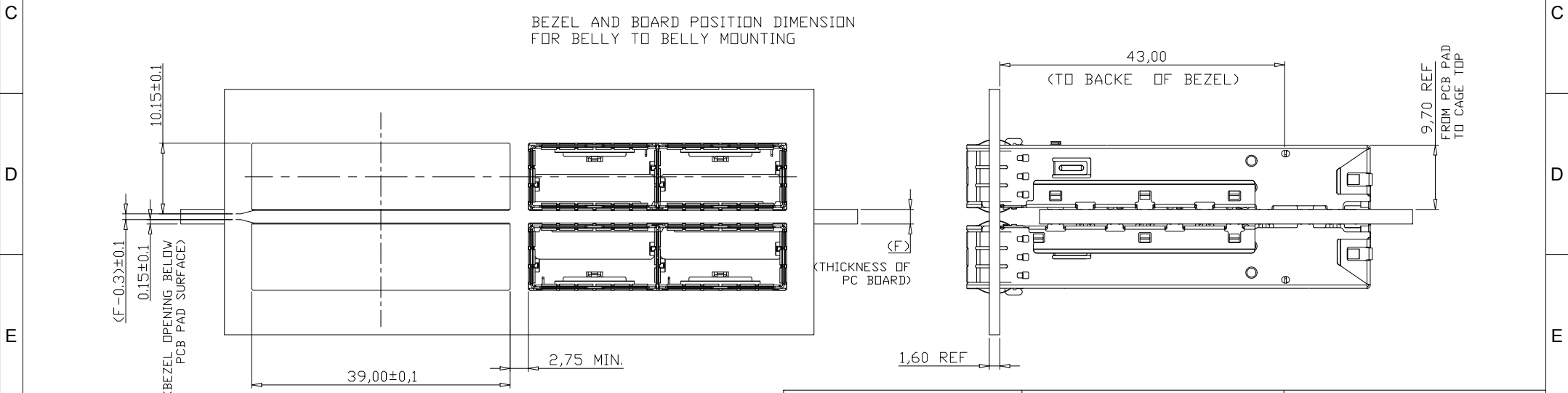


BEZEL AND BOARD POSITION DIMENSION  
FOR SINGLE SIDE MOUNTING

7		8	
REV:	ECN. NO.	NAME	DATE



BEZEL AND BOARD POSITION DIMENSION  
FOR BELLY TO BELLY MOUNTING



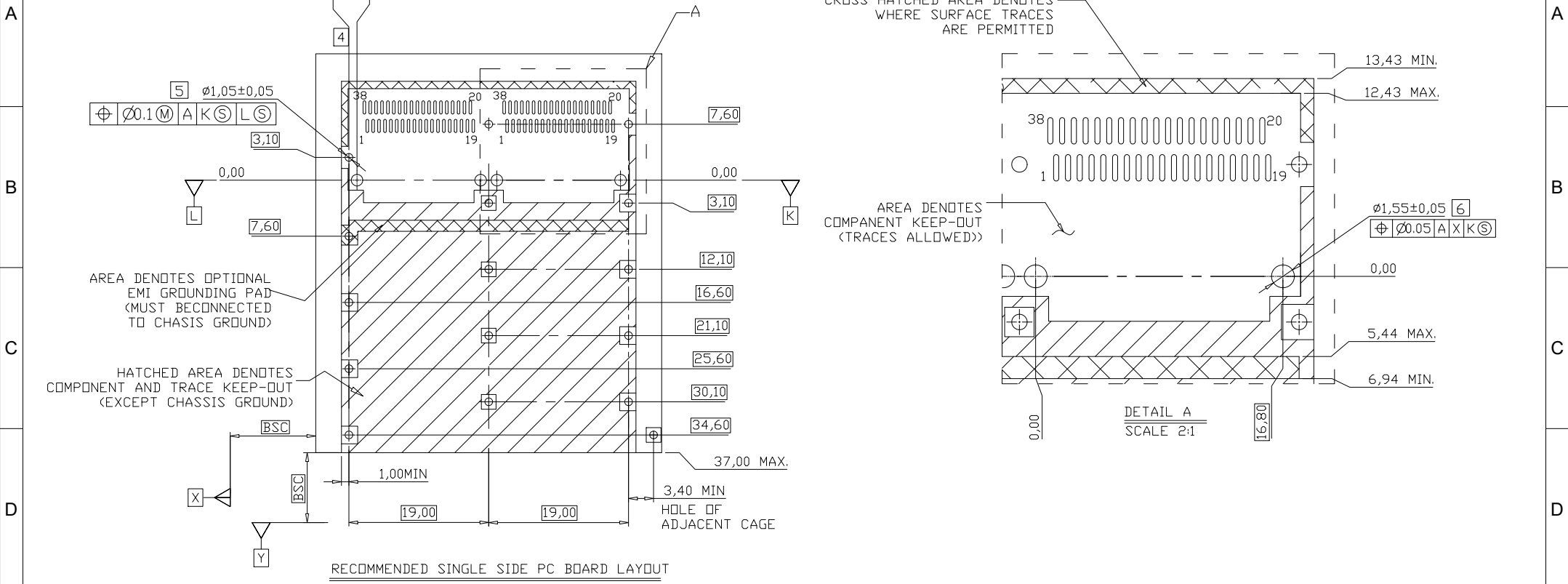
- NOTES:
1. THE NORMAL THICKNESS OF CUSTOMER SUPPLIED PC BOARD.(DIM. \*F\*)  
SINGLE SIDED PC BOARD THICKNESS: 1.60mm MIN.  
BELLY TO BELLY PC BOARD THICKNESS: 3.0mm MIN.
  2. GENERAL TOLERANCE: ±0.05.

GENERAL TOLERANCE .X±0.30 .X±1° .XX±0.20 .XX±5° .XXX±0.10		<b>VITALCON</b> a vital connector company		FOR YOUR VITAL CONNECTION	
TITLE:		QSFP+28G 1X2 CAGE			
DRAWN BY:	Zou Long	PART NO:	S201200000SA4	REV: A	
CHECKED BY:	Bob	SIZE: A4	UNIT:mm	SHEET:2 OF 4	FCN: A4
APPROVED BY:	QPF	PROJECTION		http://www.vitalconn.com	

For technical support, please send an email to [support@vitalconn.com](mailto:support@vitalconn.com)



REV:	ECN. NO.	NAME	DATE



NOTES:

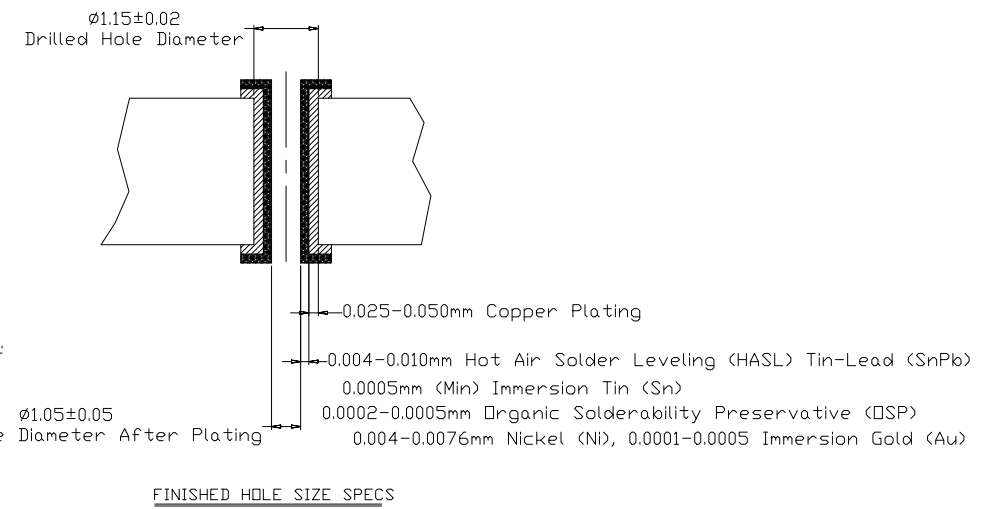
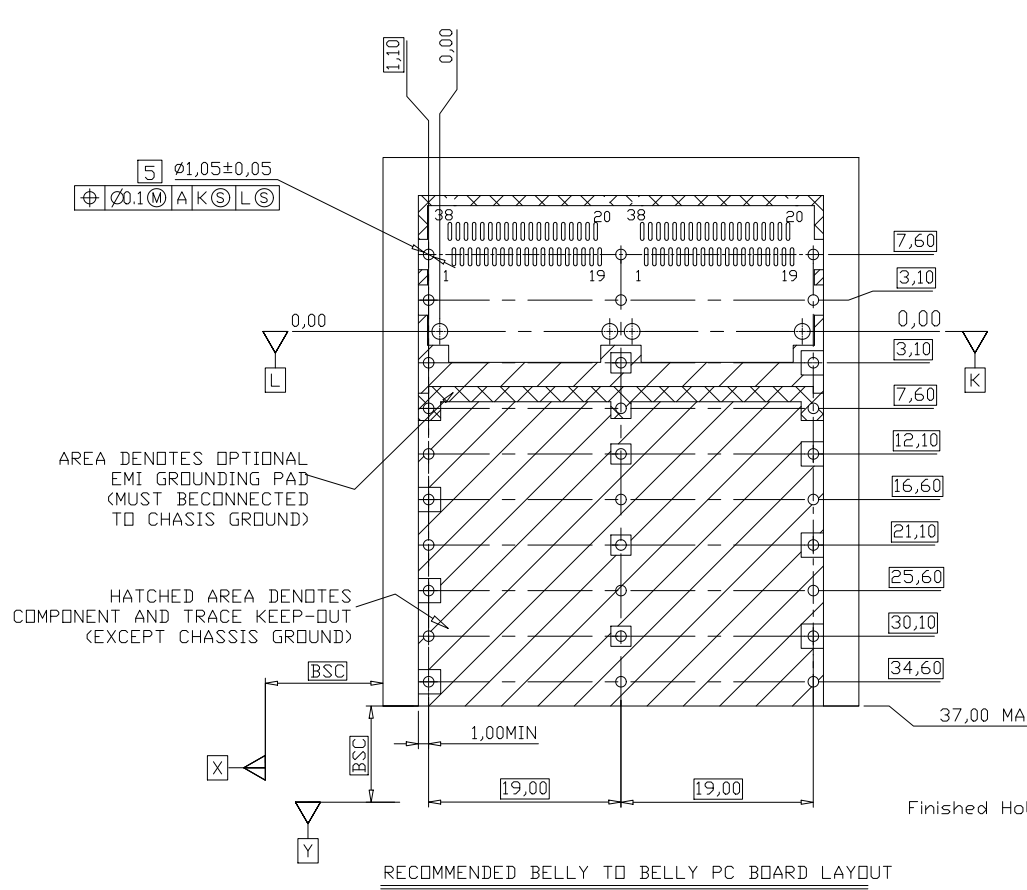
1. DATUM X & Y ARE ESTABLISHED BY THE CUSTOMER'S FIDUCIAL
2. DATUM A IS THE TOP SURFACE OF THE HOST BOARD
3. LOCATION OF THE EDGE OF PCB IS APPLICATION SPECIFIC
4. BASELINE FOR THESE DIMENSIONS IS THE CENTER OF COMPLIANT PIN HOLE.
5. FINISHED HOLE SIZE  
UNPLATED THRU HOLE.  
REFER TO SFF8662 FOR CONNECTOR FOOTING DIMENSIONS

For technical support, please send an email to [support@vitalconn.com](mailto:support@vitalconn.com)

GENERAL TOLERANCE .X±0.30 .X±1° .XX±0.20 .XX±5° .XXX±0.10		<b>VITALCON</b> a vital connector company		FOR YOUR VITAL CONNECTION	
TITLE:		QSFP+28G 1X2 CAGE			
DRAWN BY:	Zou Long	PART NO:	S20120000SA4	REV: A	
CHECKED BY:	Bob	SIZE: A4	UNIT:mm	SHEET:3 OF 4	FCN: A4
APPROVED BY:	QPF	PROJECTION		<a href="http://www.vitalconn.com">http://www.vitalconn.com</a>	



REV:	ECN. NO.	NAME	DATE



For technical support, please send an email to [support@vitalconn.com](mailto:support@vitalconn.com)

GENERAL TOLERANCE .X±0.30    .X±1° .XX±0.20    .XX±5° .XXX±0.10		<b>VITALCONN</b> a vital connector company		FOR YOUR VITAL CONNECTION	
TITLE:		QSFP+28G 1X2 CAGE			
DRAWN BY:	Zou Long	PART NO:	S20120000SA4	REV: A	
CHECKED BY:	Bob	SIZE: A4	UNIT:mm	SHEET:4 OF 4	FCN: A4
APPROVED BY:	QPF	PROJECTION		<a href="http://www.vitalconn.com">http://www.vitalconn.com</a>	