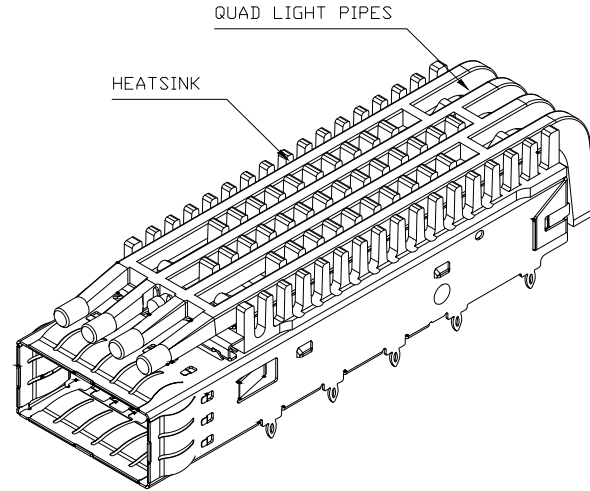
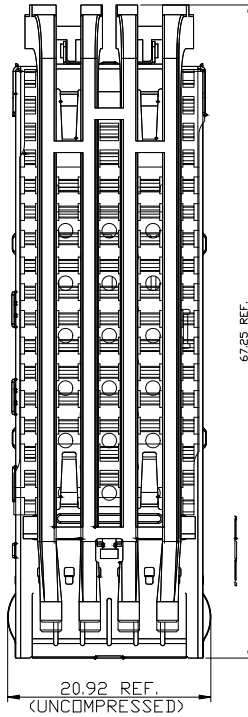




REV:	ECN. NO.	NAME	DATE

S5011 1 5 B 2 0 S A4



1. REAR LEGS:
- 0=W/O REAR LEG
  - 1=W/ 1 REAR LEG
  - 2=W/ 2 REAR LEGS

2. LIGHT PIPE OPTION:
- 0=W/O Light Pipe
  - 1=W/Single Light Pipe(Round)(Dim. A=9.7mm)
  - 2=W/Double Light Pipe(Round)(Dim. A=9.7mm)
  - 5=W/Quad Light Pipe(Round)(Dim. A=9.7mm)
  - 6=W/Light Pipe(Round)(Dim. A=10.7mm)

3. LIGHT PIPE DIM OPTION:
- 0=W/O Light Pipe
  - 1=Ø2.67mm For Single Light Pipe
  - 2=Ø2.67mm For Double Light Pipe
  - 3=Ø2.00mm For Double Light Pipe
  - A=Ø2.67mm For Quad Light Pipe
  - B=Ø2.00mm For Quad Light Pipe
  - C=Ø2.00mm For Single Light Pipe

4. PROCESS OPTION:
- 0=W/O Heatsink, Open Top
  - C=W/O Heatsink, Close Top
  - 1=W/PCI(Heatsink 4.2mm)
  - 2=W/SAN(Heatsink 6.5mm)
  - 3=W/Networking(Heatsink 13.5mm)

1. MATERIALS:

CAGE UP: STAINLESS STEEL, 0.25 THICKNESS  
 CAGE DOWN: STAINLESS STEEL, 0.25 THICKNESS  
 PARTITION: STAINLESS STEEL  
 EMI FINGERS: STAINLESS STEEL  
 HEATSINK: ALUMINUM  
 HEATSINK CLIP: STAINLESS STEEL  
 LIGHT PIPE MATERIAL: CLEAR POLYCARBONATE  
 CAP: THERMOPLASTIC 94V-0, BLACK

2. SURFACE FINISH:

BODY CAGE: CLEANING  
 EMI SPRING FINISH: CLEANING AND HOLE SEALING  
 HEATSINK FINISH: BLACK ANODIZED  
 HEATSINK CLIP FINISH: CLEANING

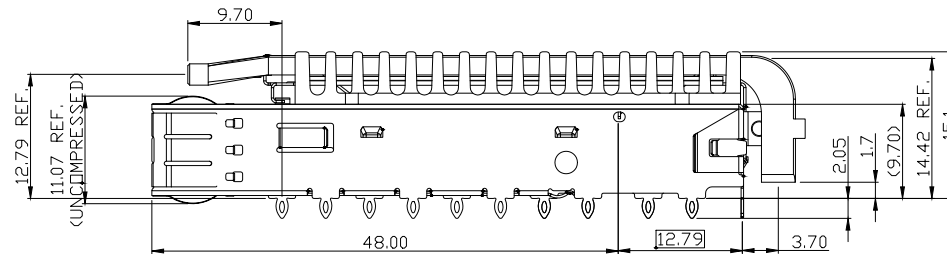
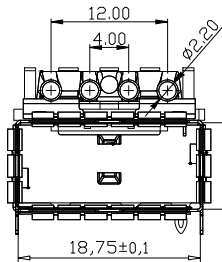
3. MATE WITH QSFP MSA COMPATIBLE TRANSCEIVER.

INSIDE SURFACE OF CASKET WHEN FULLY COMPRESSED.

5. REFERENCE DOCUMENTS:

PRODUCT SPECIFICATION: SFF-8663

6. THIS PRODUCT COMPLY TO ROHS DIRECTIVE 2011/65/EU.



GENERAL TOLERANCE  
 .X±0.30 .X±1°  
 .XX±0.20 .XX±5°  
 .XXX±0.10



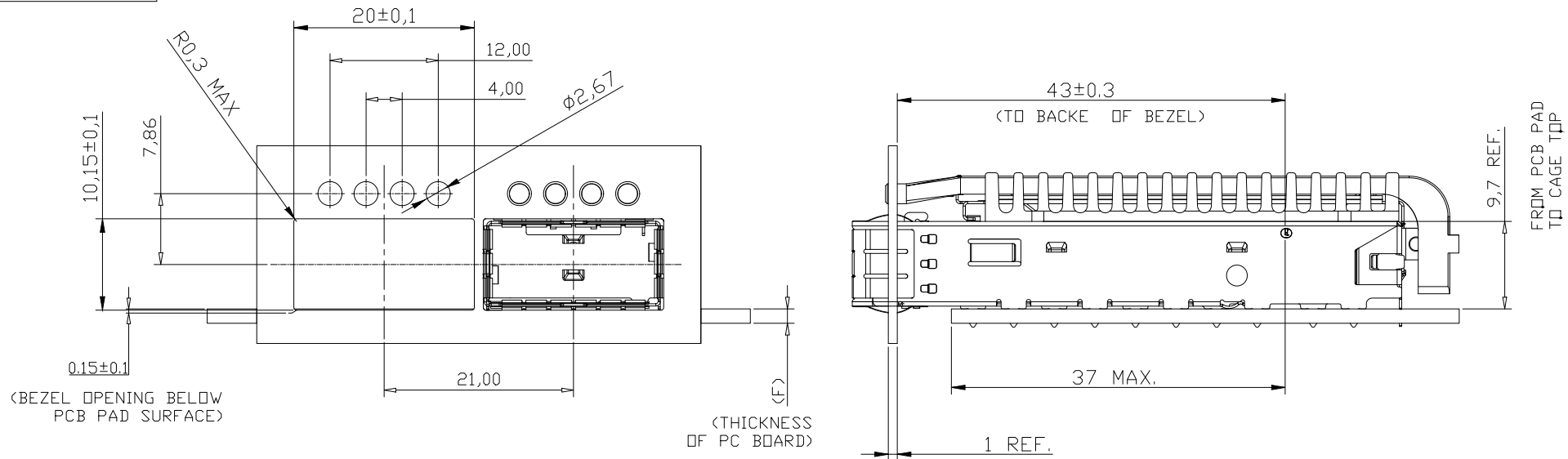
FOR YOUR  
 VITAL CONNECTION

TITLE: QSFP+28G 1X1 CAGE

DRAWN BY:	Zou Long	PART NO:	S501115B20SA4	REV: A
CHECKED BY:	Bob	SIZE: A4	UNIT:mm	SHEET:1 OF 5
APPROVED BY:	QPF	PROJECTION		FCN: A4
For technical support, please send an email to support@vitalconn.com		http://www.vitalconn.com		



7	8
REV:	ECN. NO.
NAME	DATE



BEZEL AND BOARD POSITION DIMENSION FOR SINGLE SIDE MOUNTING

NOTES:

- THE NORMAL THICKNESS OF CUSTOMER SUPPLIED PC BOARD.(DIM. "F")  
 SINGLE SIDED PC BOARD THICKNESS: 1.60mm MIN.  
 BELLY TO BELLY PC BOARD MIN. THICKNESS: 3.0mm MIN.
- GENERAL TOLERANCE: ±0.05.

GENERAL TOLERANCE  
 .X±0.30 .X±1°  
 .XX±0.20 .XX±5°  
 .XXX±0.10



FOR YOUR  
 VITAL CONNECTION

TITLE: QSFP+28G 1X1 CAGE

DRAWN BY: Zou Long PART NO: S501115B20SA4 REV: A

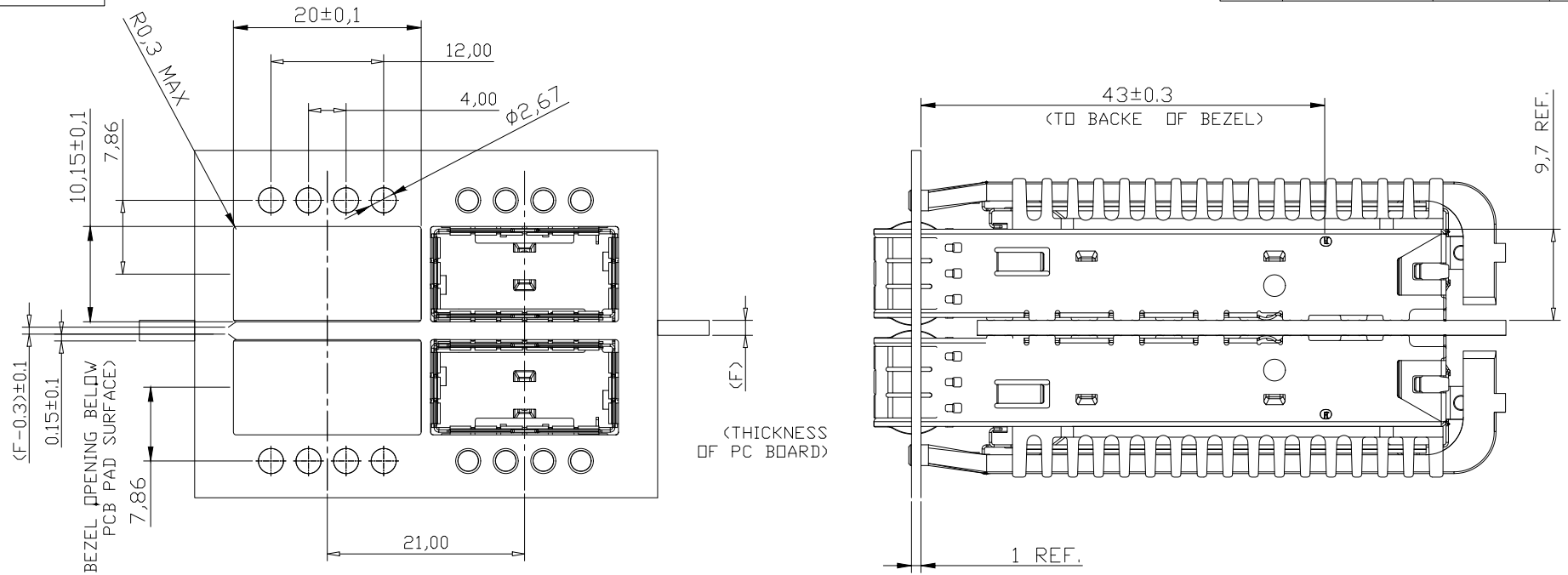
CHECKED BY: Bob SIZE: A4 UNIT:mm SHEET:2 OF 5 FCN: A4

APPROVED BY: QPF PROJECTION <http://www.vitalconn.com>

For technical support, please send an email to [support@vitalconn.com](mailto:support@vitalconn.com)



REV:	ECN. NO.	NAME	DATE



BEZEL AND BOARD POSITION DIMENSION FOR BELLY TO BELLY MOUNTING

NOTES:

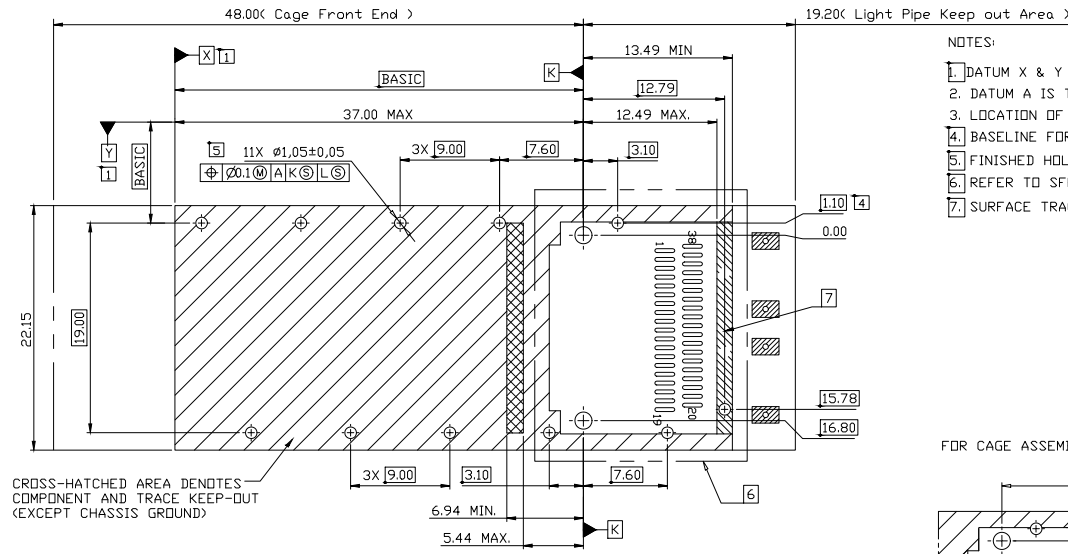
1. THE NORMAL THICKNESS OF CUSTOMER SUPPLIED PC BOARD.<DIM. "F">  
 SINGLE SIDED PC BOARD THICKNESS: 1.60mm MIN.  
 BELLY TO BELLY PC BOARD MIN. THICKNESS: 3.0mm MIN.
2. GENERAL TOLERANCE: ±0.05.

GENERAL TOLERANCE .X±0.30 .X±1° .XX±0.20 .XX±5° .XXX±0.10		<b>VITALCONN</b> a vital connector company		FOR YOUR VITAL CONNECTION	
DRAWN BY: Zou Long		TITLE: QSF28G 1X1 CAGE		PART NO: S501115B20SA4	
CHECKED BY: Bob		UNIT:mm		SHEET:3 OF 5	
APPROVED BY: QPF		PROJECTION		FCN: A4	
For technical support, please send an email to support@vitalconn.com				http://www.vitalconn.com	

For technical support, please send an email to support@vitalconn.com



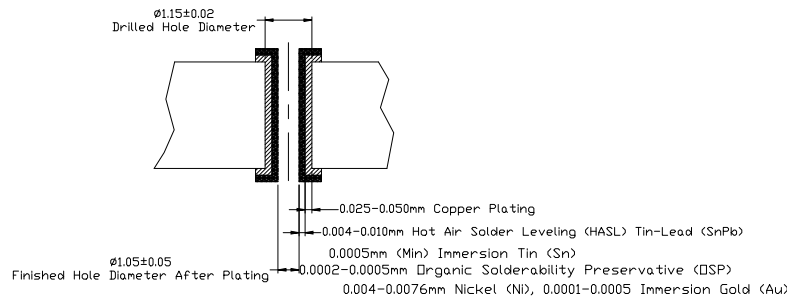
REV:	ECN. NO.	NAME	DATE



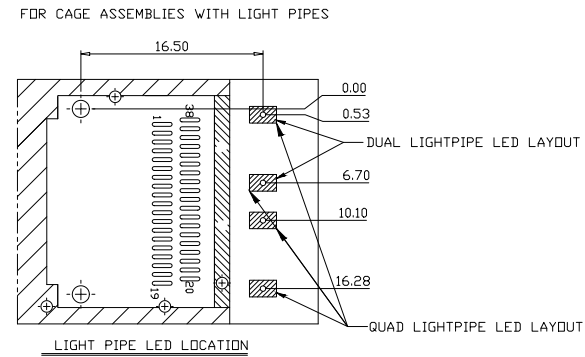
- NOTES:
- DATUM X & Y ARE ESTABLISHED BY THE CUSTOMER'S FIDUCIAL
  - DATUM A IS THE TOP SURFACE OF THE HDST BOARD
  - LOCATION OF THE EDGE OF PCB IS APPLICATION SPECIFIC
  - BASELINE FOR THESE DIMENSIONS IS THE CENTER OF COMPLIANT PIN HOLE.
  - FINISHED HOLE SIZE
  - REFER TO SFF8662 FOR CONNECTOR FOOTING DIMENSIONS
  - SURFACE TRACES PERMITTED WITHIN THIS SHADED AREA

CROSS-HATCHED AREA DENOTES COMPONENT AND TRACE KEEP-OUT (EXCEPT CHASSIS GROUND)

RECOMMENDED SINGLE SIDE PC BOARD LAYOUT



FINISHED HOLE SIZE SPECS



LIGHT PIPE LED LOCATION

GENERAL TOLERANCE  
 .X±0.30 .X±1°  
 .XX±0.20 .XX±5°  
 .XXX±0.10



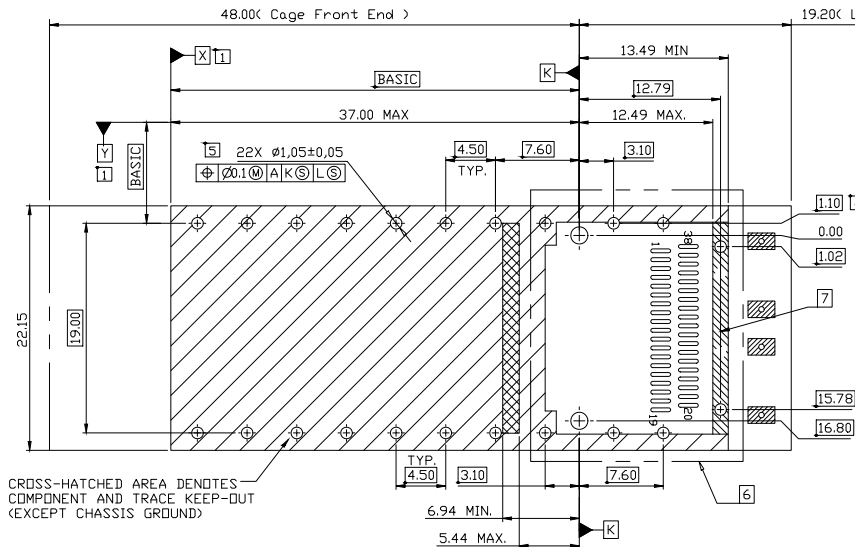
FOR YOUR VITAL CONNECTION

TITLE: QSFP+28G 1X1 CAGE

DRAWN BY:	Zou Long	PART NO:	S501115B20SA4	REV: A
CHECKED BY:	Bob	SIZE: A4	UNIT:mm	SHEET:4 OF 5
APPROVED BY:	QPF	PROJECTION		FCN: A4
For technical support, please send an email to support@vitalconn.com		http://www.vitalconn.com		



REV:	ECN. NO.	NAME	DATE

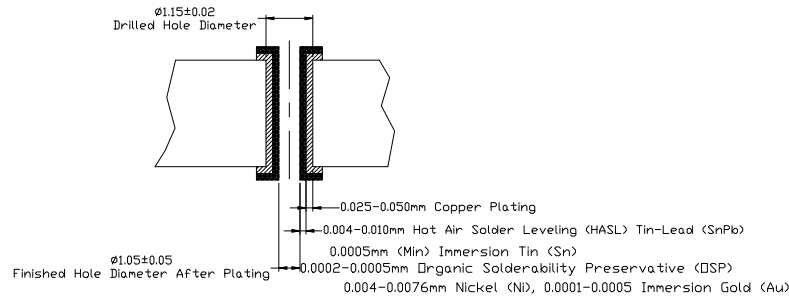


NOTES:

- DATUM X & Y ARE ESTABLISHED BY THE CUSTOMER'S FIDUCIAL
- DATUM A IS THE TOP SURFACE OF THE HOST BOARD
- LOCATION OF THE EDGE OF PCB IS APPLICATION SPECIFIC
- BASELINE FOR THESE DIMENSIONS IS THE CENTER OF COMPLIANT PIN HOLE.
- FINISHED HOLE SIZE
- REFER TO SFF8662 FOR CONNECTOR FOOTING DIMENSIONS
- SURFACE TRACES PERMITTED WITHIN THIS SHADED AREA

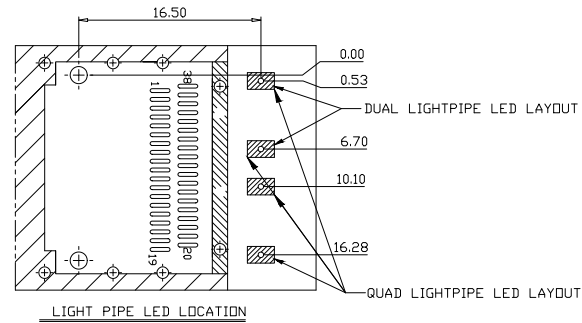
CROSS-HATCHED AREA DENOTES COMPONENT AND TRACE KEEP-OUT (EXCEPT CHASSIS GROUND)

RECOMMENDED BELLY TO BELLY PCB BOARD LAYOUT



FINISHED HOLE SIZE SPECS

FOR CAGE ASSEMBLIES WITH LIGHT PIPES



GENERAL TOLERANCE  
 .X±0.30 .X±1°  
 .XX±0.20 .XX±5°  
 .XXX±0.10



FOR YOUR VITAL CONNECTION

TITLE: QSFP+28G 1X1 CAGE

DRAWN BY:	Zou Long	PART NO:	S501115B20SA4	REV: A
CHECKED BY:	Bob	SIZE: A4	UNIT:mm	SHEET:5 OF 5
APPROVED BY:	QPF	PROJECTION	UNIT:mm	FCN: A4

For technical support, please send an email to [support@vitalconn.com](mailto:support@vitalconn.com)

PROJECTION <http://www.vitalconn.com>