

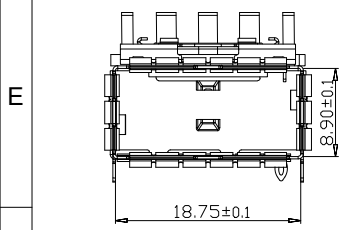
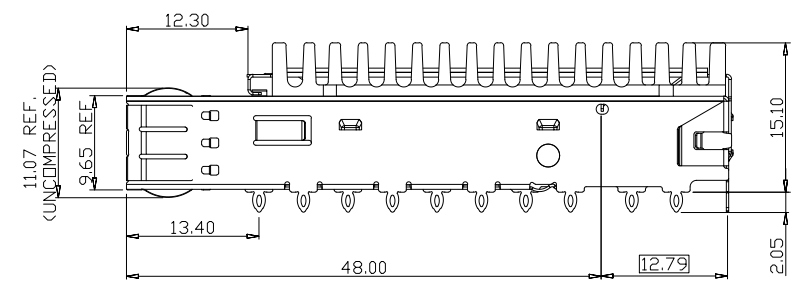
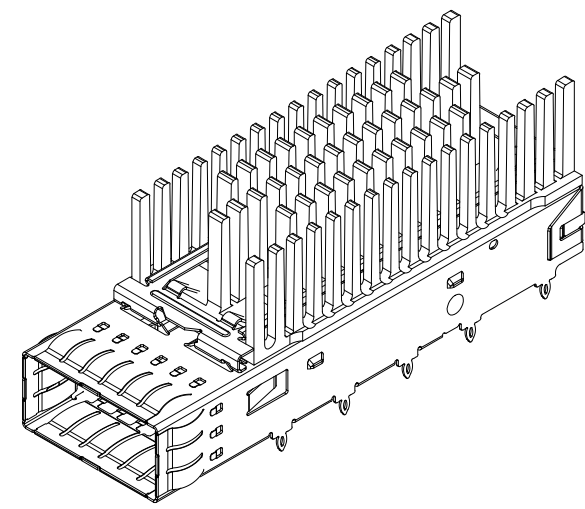
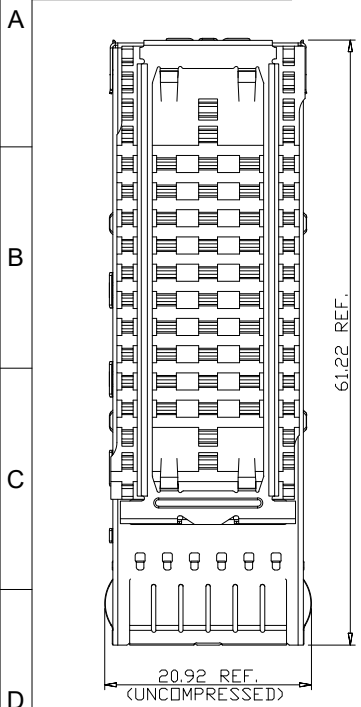


7		8	
REV:	ECN. NO.	NAME	DATE

- MATERIALS:
 BODY CAGE: STAINLESS STEEL, 0.25 THICKNESS
 EMI FINGER: STAINLESS STEEL
 HEATSINK: ALUMINUM
 HEATSINK CLIP: STAINLESS STEEL
 LIGHT PIPE MATERIAL: CLEAR POLYCARBONATE
- SURFACE FINISH:
 BODY CAGE: CLEANING
 EMI SPRING: CLEANING AND HOLE SEALING
 HEATSINK: BLACK ANODIZED
 HEATSINK CLIP: CLEANING
- MATE WITH QSFP MSA COMPATIBLE TRANSCEIVER.
- REFERENCE DOCUMENTS:
 PRODUCT SPECIFICATION: QSFP MSA
- THIS PRODUCT COMPLY TO ROHS DIRECTIVE 2011/65/EU.

S5011 1 0 0 2 0 S A4
 1 2 3 4

- REAR LEGS:
 0=W/O REAR LEG
 1=W/ 1 REAR LEG
 2=W/ 2 REAR LEGS
- LIGHT PIPE OPTION:
 0=W/O Light Pipe
 1=W/Single Light Pipe(Round)(Dim. A=9.7mm)
 2=W/Double Light Pipe(Round)(Dim. A=9.7mm)
 5=W/Quad Light Pipe(Round)(Dim. A=9.7mm)
 6=W/Light Pipe(Round)(Dim. A=10.7mm)
- LIGHT PIPE DIM OPTION:
 0=W/O Light Pipe
 1=Ø2.67mm For Single Light Pipe
 2=Ø2.67mm For Double Light Pipe
 3=Ø2.00mm For Double Light Pipe
 A=Ø2.67mm For Quad Light Pipe
 B=Ø2.00mm For Quad Light Pipe
- PROCESS OPTION:
 0=W/O Heatsink, Open Top
 C=W/O Heatsink, Close Top
 1=W/PCI(Heatsink 4.2mm)
 2=W/SAN(Heatsink 6.5mm)
 3=W/Networking(Heatsink 13.5mm)



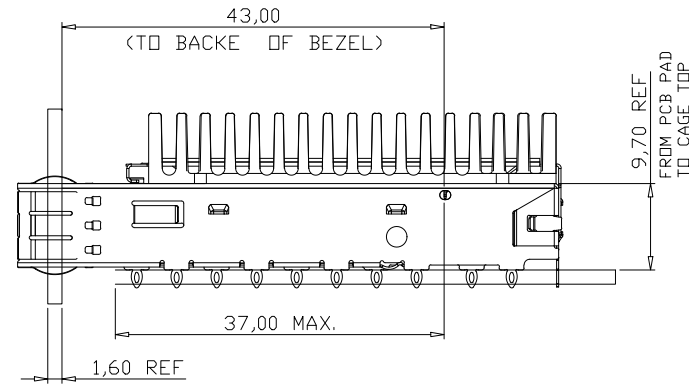
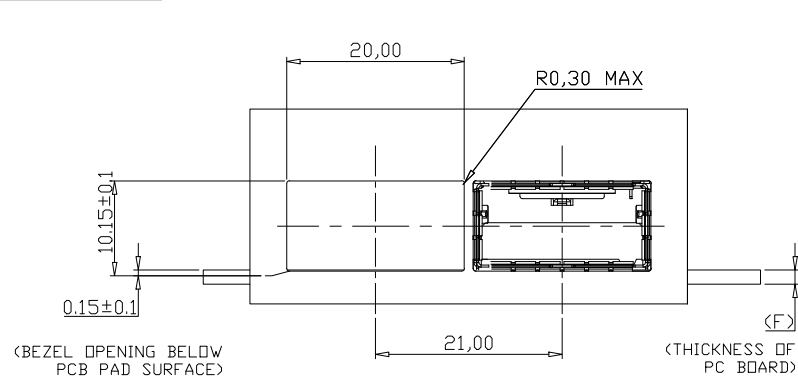
GENERAL TOLERANCE .X±0.25 .X±1° .XX±0.13 .XX±5° .XXX±0.10		VITALCON a vital connector company		FOR YOUR VITAL CONNECTION	
TITLE:		QSFP+28G 1X1 CAGE			
DRAWN BY:	Zou Long	PART NO:	S501110020SA4	REV: A	
CHECKED BY:	Bob	SIZE: A4	UNIT:mm	SHEET:1 OF 3	FCN: A4
APPROVED BY:	QPF	PROJECTION		http://www.vitalconn.com	

For technical support, please send an email to support@vitalconn.com

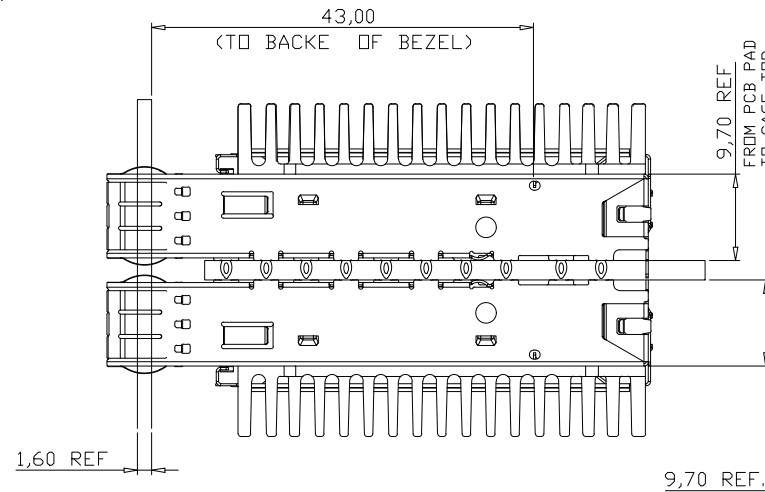
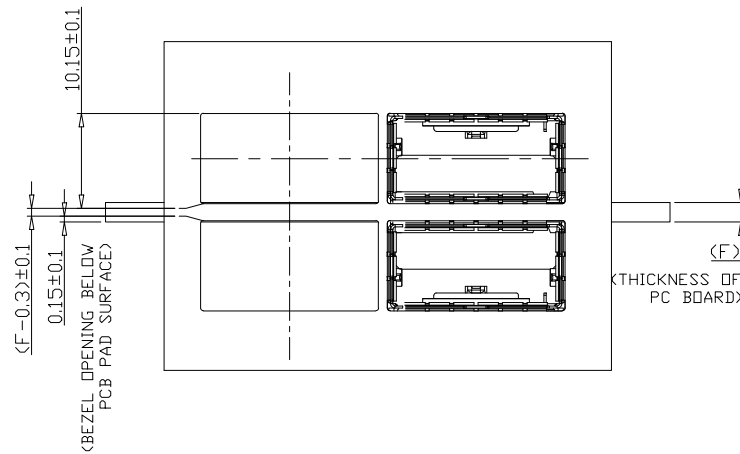


BEZEL AND BOARD POSITION DIMENSION
FOR SINGLE SIDE MOUNTING

7	8
REV:	ECN. NO.
NAME	DATE



BEZEL AND BOARD POSITION DIMENSION
FOR BELLY TO BELLY MOUNTING



NOTES:

1. THE NORMAL THICKNESS OF CUSTOMER SUPPLIED PC BOARD.(DIM. "F")
SINGLE SIDED PC BOARD THICKNESS: 1.60mm MIN.
BELLY TO BELLY PC BOARD THICKNESS: 3.0mm MIN.
2. GENERAL TOLERANCE: ±0.05.

GENERAL TOLERANCE
.X±0.25 .X±1°
.XX±0.13 .XX±5°
.XXX±0.10



FOR YOUR
VITAL CONNECTION

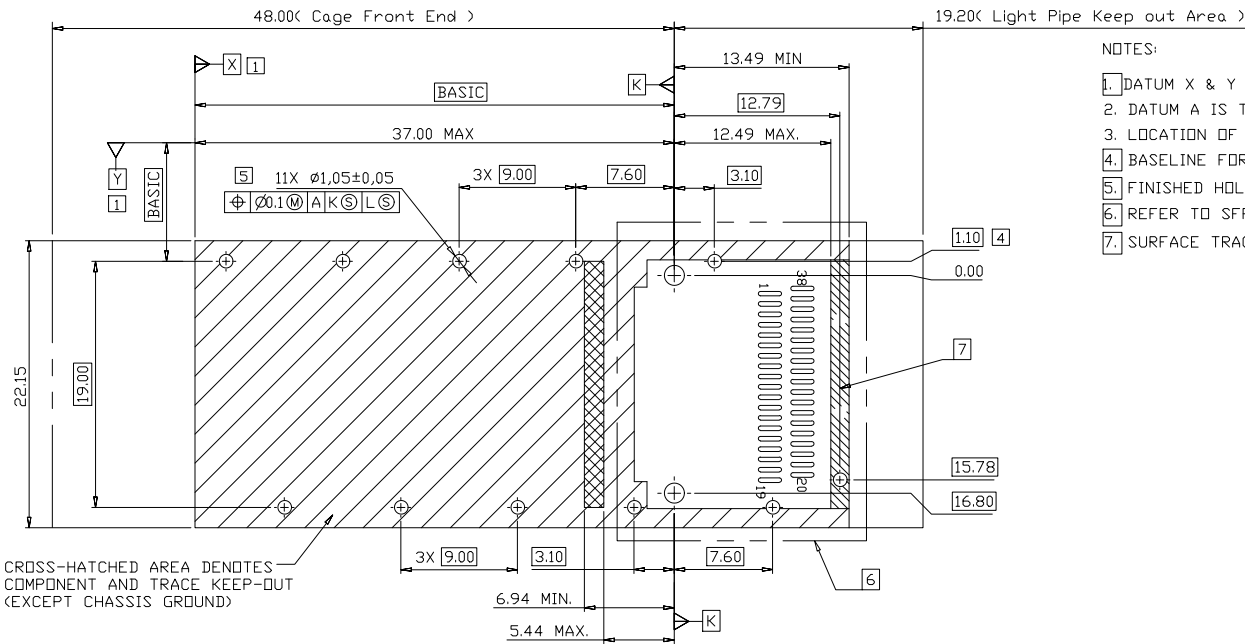
TITLE: QSFP+28G 1X1 CAGE

DRAWN BY:	Zou Long	PART NO:	S501110020SA4	REV: A
CHECKED BY:	Bob	SIZE: A4	UNIT:mm	SHEET:2 OF 3
APPROVED BY:	QPF	PROJECTION		FCN: A4
			http://www.vitalconn.com	

For technical support, please send an email to support@vitalconn.com



7		8	
REV:	ECN. NO.	NAME	DATE

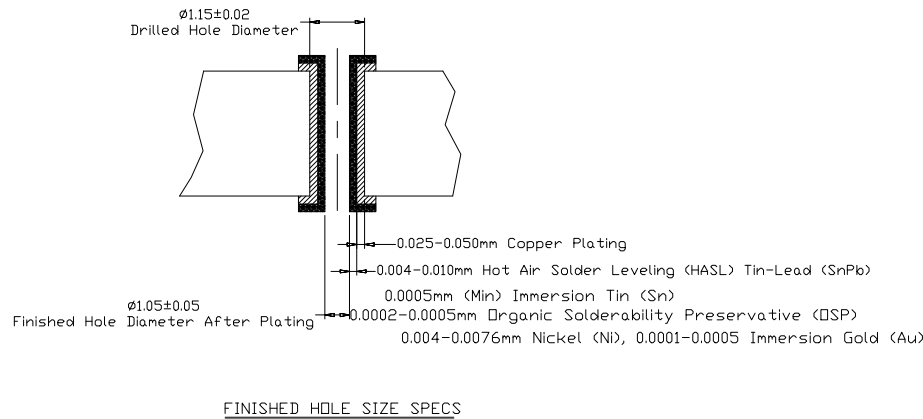


NOTES:

- DATUM X & Y ARE ESTABLISHED BY THE CUSTOMER'S FIDUCIAL
- DATUM A IS THE TOP SURFACE OF THE HOST BOARD
- LOCATION OF THE EDGE OF PCB IS APPLICATION SPECIFIC
- BASELINE FOR THESE DIMENSIONS IS THE CENTER OF COMPLIANT PIN HOLE.
- FINISHED HOLE SIZE
- REFER TO SFF8662 FOR CONNECTOR FOOTING DIMENSIONS
- SURFACE TRACES PERMITTED WITHIN THIS SHADED AREA

CROSS-HATCHED AREA DENOTES COMPONENT AND TRACE KEEP-OUT (EXCEPT CHASSIS GROUND)

RECOMMENDED SINGLE SIDE PC BOARD LAYOUT



GENERAL TOLERANCE
 .X±0.25 .X±1°
 .XX±0.13 .XX±5°
 .XXX±0.10



FOR YOUR VITAL CONNECTION

TITLE: QSFP+28G 1X1 CAGE

DRAWN BY:	Zou Long	PART NO:	S501110020SA4	REV: A
CHECKED BY:	Bob	SIZE: A4	UNIT:mm	SHEET:3 OF 3
APPROVED BY:	QPF	PROJECTION		FCN: A4
			http://www.vitalconn.com	

For technical support, please send an email to support@vitalconn.com