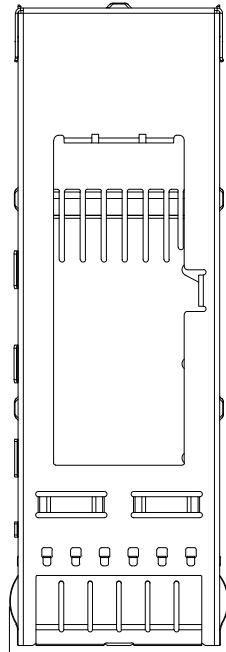
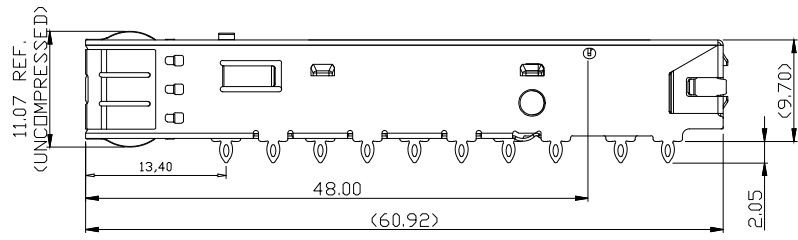
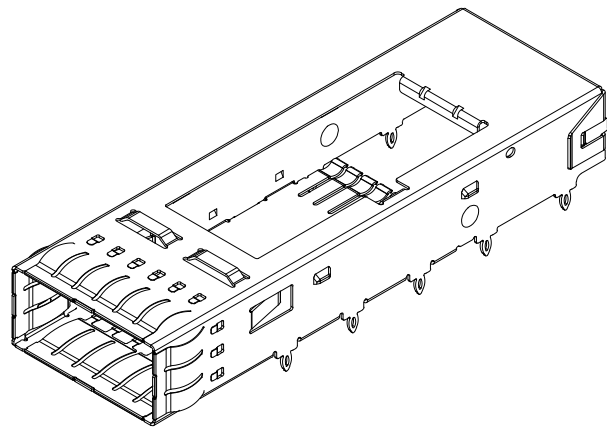
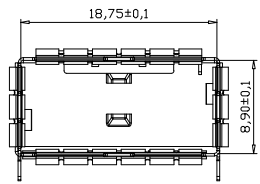




7		8	
REV:	ECN. NO.	NAME	DATE



20.92 REF.  
(UNCOMPRESSED)



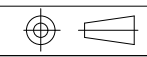
S5011 0 0 0 0 0 S A4

- 1. REAR LEGS:
  - 0=W/O REAR LEG
  - 1=W/ 1 REAR LEG
  - 2=W/ 2 REAR LEGS
- 2. LIGHT PIPE OPTION:
  - 0=W/O Light Pipe
  - 1=W/Single Light Pipe(Round)(Dim. A=9.7mm)
  - 2=W/Double Light Pipe(Round)(Dim. A=9.7mm)
  - 5=W/Quad Light Pipe(Round)(Dim. A=9.7mm)
  - 6=W/Light Pipe(Round)(Dim. A=10.7mm)
- 3. LIGHT PIPE DIM OPTION:
  - 0=W/O Light Pipe
  - 1=∅2.67mm For Single Light Pipe
  - 2=∅2.67mm For Double Light Pipe
  - 3=∅2.00mm For Double Light Pipe
  - A=∅2.67mm For Quad Light Pipe
  - B=∅2.00mm For Quad Light Pipe
  - C=∅2.00mm For Single Light Pipe
- 4. PROCESS OPTION:
  - 0=W/O Heatsink, Open Top
  - C=W/O Heatsink, Close Top
  - 1=W/PCI(Heatsink 4.2mm)
  - 2=W/SAN(Heatsink 6.5mm)
  - 3=W/Networking(Heatsink 13.5mm)

- 1. MATERIALS:
  - BODY CAGE: STAINLESS STEEL, 0.25 THICKNESS
  - EMI FINGER: STAINLESS STEEL
- 2. SURFACE FINISH:
  - BODY CAGE: CLEANING
  - EMI SPRING: CLEANING AND HOLE SEALING
- 3. MATE WITH QSFP MSA COMPATIBLE TRANSCEIVER.
- 4. REFERENCE DOCUMENTS:
  - PRODUCT SPECIFICATION: QSFP MSA
- 5. THIS PRODUCT COMPLY TO ROHS DIRECTIVE 2011/65/EU.

For technical support, please send an email to [support@vitalconn.com](mailto:support@vitalconn.com)

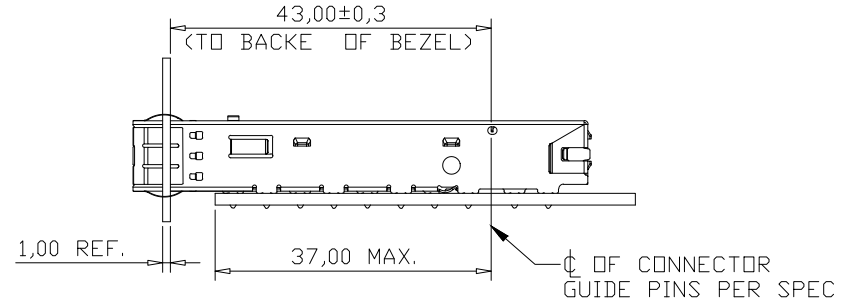
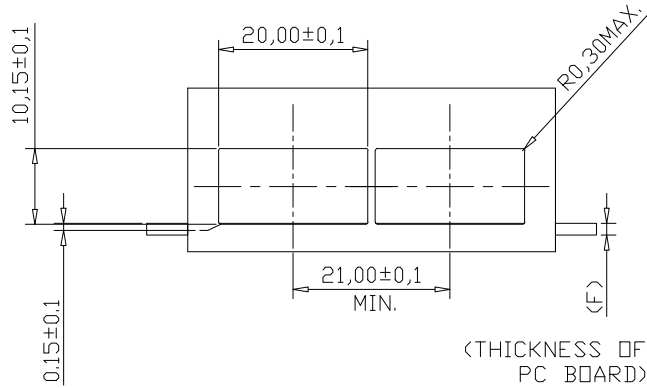
GENERAL TOLERANCE .X±0.30 .X±1° .XX±0.20 .XX±5° .XXX±0.10		<b>VITALCON</b> a vital connector company		FOR YOUR VITAL CONNECTION	
DRAWN BY: Zou Long		TITLE: QSFP+28G 1X1 CAGE		PART NO: S50110000SA4	
CHECKED BY: Bob		SIZE: A4		UNIT:mm	
APPROVED BY: QPF		PROJECTION		SHEET:1 OF 3	
				FCN: A4	
				http://www.vitalconn.com	



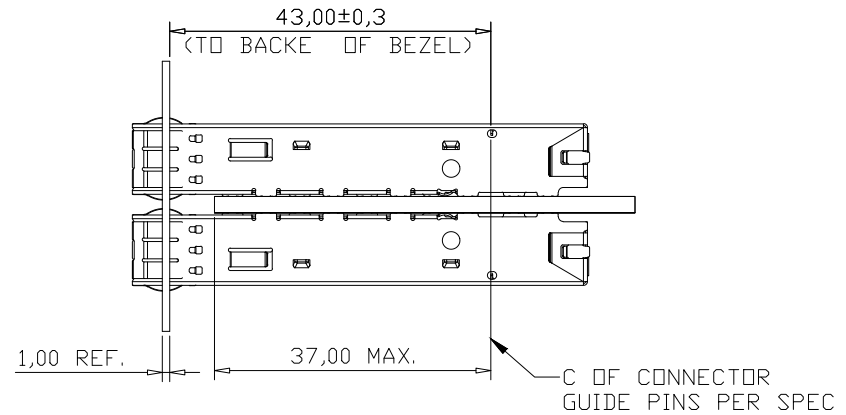
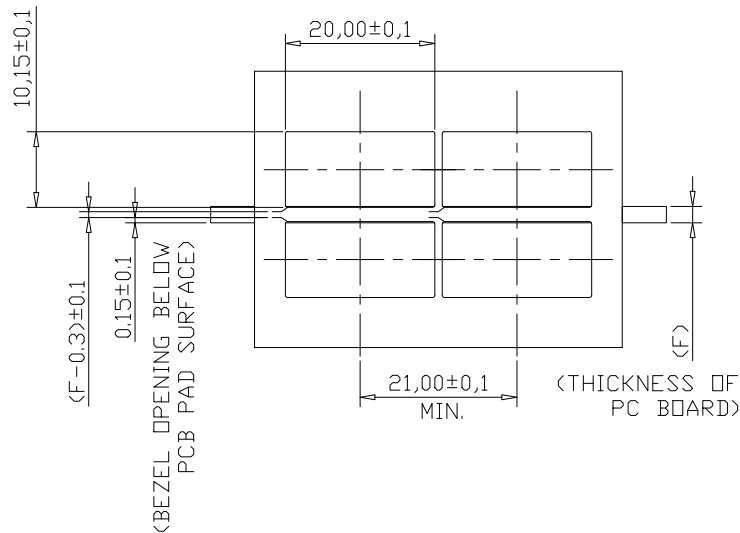


BEZEL AND BOARD POSITION DIMENSION  
FOR SINGLE SIDE MOUNTING (SPRING FINGER)

REV:	ECN. NO.	NAME	DATE



BEZEL AND BOARD POSITION DIMENSION  
FOR BELLY TO BELLY MOUNTING (SPRING FINGER)



NOTES:

- THE NORMAL THICKNESS OF CUSTOMER SUPPLIED PC BOARD.(DIM. "F")  
SINGLE SIDED PC BOARD THICKNESS: 1.60mm MIN.  
BELLY TO BELLY PC BOARD MIN. THICKNESS: 3.0mm MIN.
- GENERAL TOLERANCE: ±0.05.

GENERAL TOLERANCE  
.X±0.30 .X±1°  
.XX±0.20 .XX±5°  
.XXX±0.10



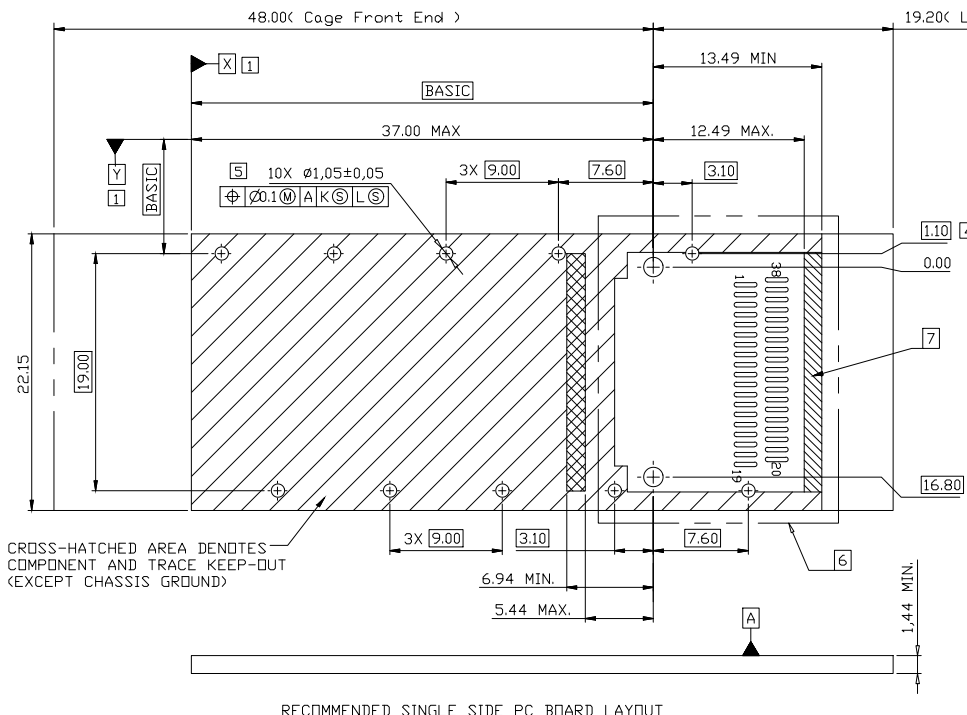
FOR YOUR  
VITAL CONNECTION

TITLE: QSF+28G 1X1 CAGE

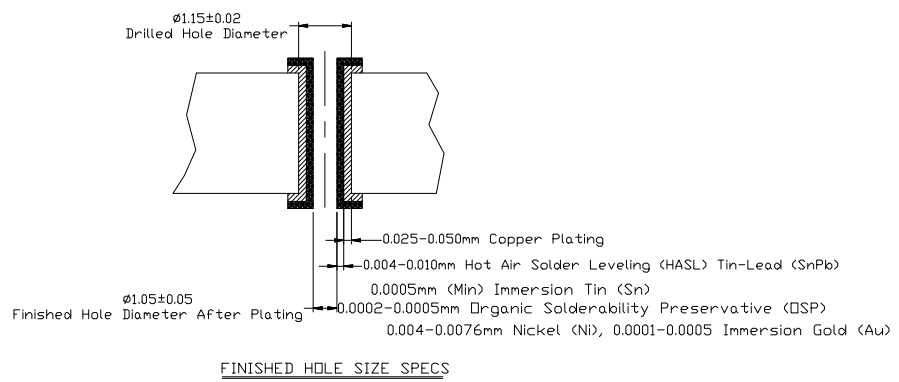
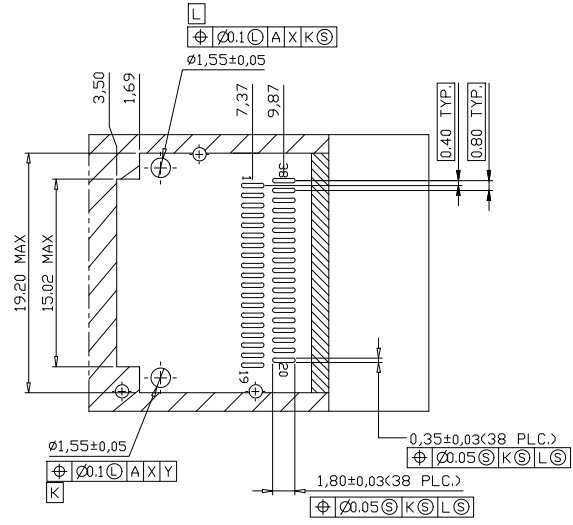
DRAWN BY:	Zou Long	PART NO:	S50110000SA4	REV: A
CHECKED BY:	Bob	SIZE: A4	UNIT:mm	SHEET:2 OF 3
APPROVED BY:	QPF	PROJECTION		FCN: A4
For technical support, please send an email to support@vitalconn.com			<a href="http://www.vitalconn.com">http://www.vitalconn.com</a>	



REV:	ECN. NO.	NAME	DATE



- NOTES:
- DATUM X & Y ARE ESTABLISHED BY THE CUSTOMER'S FIDUCIAL
  - DATUM A IS THE TOP SURFACE OF THE HOST BOARD
  - LOCATION OF THE EDGE OF PCB IS APPLICATION SPECIFIC
  - BASELINE FOR THESE DIMENSIONS IS THE CENTER OF COMPLIANT PIN HOLE.
  - FINISHED HOLE SIZE
  - REFER TO SFF8662 FOR CONNECTOR FOOTING DIMENSIONS
  - SURFACE TRACES PERMITTED WITHIN THIS SHADED AREA
  - INDICATED HOLES ARE OPTIONAL (SEE TABLE FOR REAR PIN CONFIGURATION)



GENERAL TOLERANCE .X±0.30 .X±1° .XX±0.20 .XX±5° .XXX±0.10		 a vital connector company		FOR YOUR VITAL CONNECTION	
TITLE:		QSFP+28G 1X1 CAGE			
DRAWN BY:	Zou Long	PART NO:	S50110000SA4	REV: A	
CHECKED BY:	Bob	SIZE: A4	UNIT:mm	SHEET:3 OF 3	FCN: A4
APPROVED BY:	QPF	PROJECTION	 http://www.vitalconn.com		

For technical support, please send an email to support@vitalconn.com