
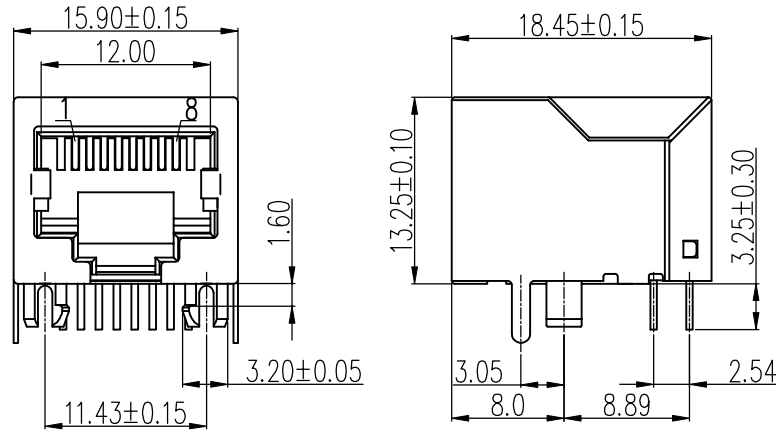


RoHS Compliant 

REV:	ECN. NO.	NAME	DATE



NOTES:

MATERIAL:

- 1.HOUSING :GLASS FILLED POLYESTER UL94V-0
- 2.CONTACT (ROUND PIN Φ 0.46mm) :PHOSPHOR BRONZE WITH GOLD PLATING OVER NICKEL.
- 3.SHIELD :0.20mm THICKNESS COPPER ALLOY WITH NICKEL PLATED.

ELECTRICAL:

- 1.VOLTAGE RATING :125V AC.
- 2.CURRENT RATING :1.5AMP.
- 3.CONTACT RESISTANCE :30 MILLIOHMS MAX.
- 4.INSULATION RESISTANCE :500 MEGOHMS MIN @ 500V DC
- 5.DIELECTRIC WITHSTANDING VOLTAGE :1000V AC RMS 50Hz OR 60Hz. 1MIN.

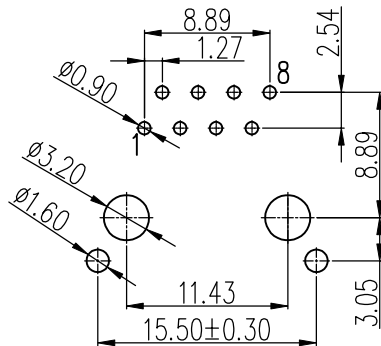
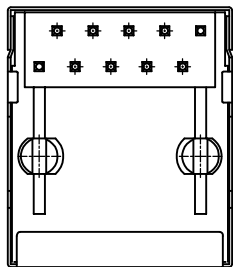
MECHANICAL:

- 1.INSERTION FORCE :2.2Kg MAX.
- 2.RETENTION STRENGTH :7.7Kg BETWEEN JACK AND PLUG
- 3.DURABILITY :750 CYCLES MIN.


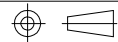
ENVIRONMENTAL:

- 1.STORAGE : -40°C ~85°C.
- 2.OPERATION : -40°C TO 85°C.

THE MARTS MODULAR PLUG CONFORMAING TO FCC PART68



PCB LAYOUT/TOP VIEW

TOLERANCE UNSPECIFIED		 VITALCONN a vital connector company		FOR YOUR VITAL CONNECTION	
.0	±0.38			TITLE: RJ45, SHIELDED 6U", PBT BLACK	
.00	±0.25	PART NO: JD114A03NPB7		REV: A	
.000	±0.10	SIZE: A4		UNIT:mm	
ANGLE ±3.00°		SHEET:1 OF 1		FCN: B7	
MANUFACTURING COPY		PROJECTION 		http://www.vitalconn.com	
DRAWN BY:	QSY	APPROVED BY:	QPF		

For technical support, please send an email to support@vitalconn.com