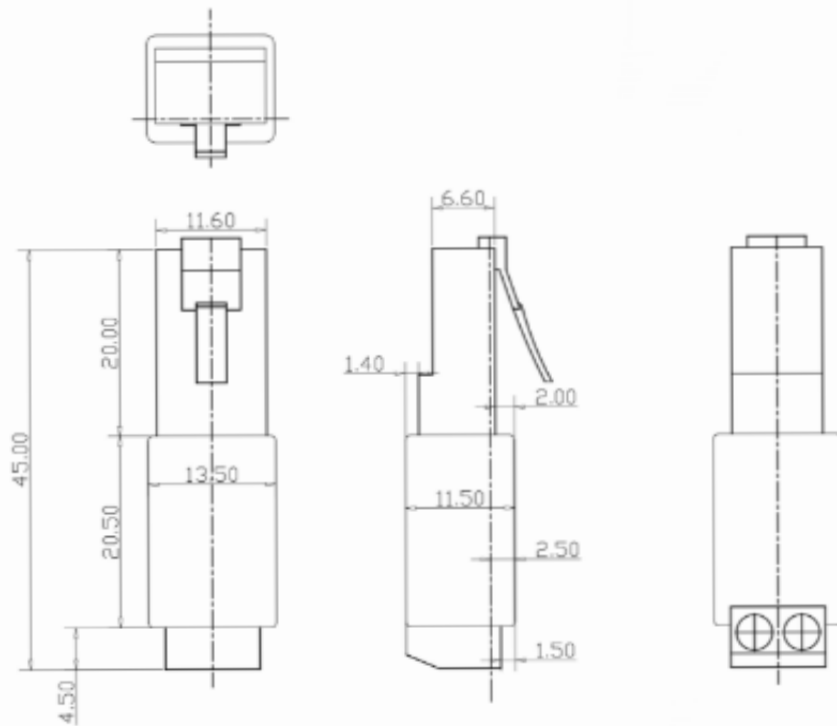


REV.	ECN. NO.	NAME	DATE



DESCRIPTION:

1. PVC MOLDED BLACK IN COLOR.
2. WIRE: UL1007 30AWG L 18MM BLACK IN COLOR.
3. SCREWS: M2.5 STEEL ZINC PLATED.
4. CONTACT: PHOSPHOR BRONZE.

ELECTRONIC TEST:

1. RATED VOLTAGE: 12V.
2. RATED CURRENT: 16A.
3. INSULATION RESISTANCE: 5000MΩ/1000V.
4. CONTACT RESISTANCE: 20mΩ
5. OPEN/SHORT INTERMITTE: 100%.

MECHANICAL:

1. TEMP. RANGE: -40°C~+105°C.
2. MAX SOLDERING: +250°C FOR 5SEC.

RoHS Compliant



TITLE: RJ45 to 485 terminal adapter

TOLERANCE UNSPECIFIED		SIZE: A4		UNIT: mm	PART NO. RJ45-2PINR	
.0	±0.38	DRAWN BY:		SCALE: 1:1	PROJECTION	REV.: A
.00	±0.25	CHECKED BY:		DWG . PATH	SHEET: 1 OF 1	
.000	±0.10	APPROVED BY:				
ANGLE	±3.00°					
MANUFACTURING	COPY					


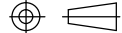
REV.	ECN. NO.	NAME	DATE

RJ45 MODULAR PORT PINOUTS

Pin	Symbol	Description
1	NC	No Connection
2	NC	No Connection
3	NC	No Connection
4	+Vdc	DC Power (+)
5	+Vdc	DC Power (+)
6	NC	No Connection
7	-Vdc	DC Power (-)
8	-Vdc	DC Power (-)



RoHS Compliant

TOLERANCE UNSPECIFIED		 a vital connector company		
.0	±0.38			
.00	±0.25	TITLE: RJ45 Jack RJ45 to 485 terminal adapter		
.000	±0.10	SIZE: A4	UNIT: mm	PART NO. RJ45-2PINR
ANGLE	±3.00°	CHECKED BY:	SCALE: 1:1	PROJECTION  REV.: A
MANUFACTURING COPY		APPROVED BY:	DWG . PATH	SHEET: 1 OF 1