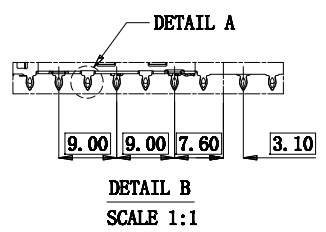
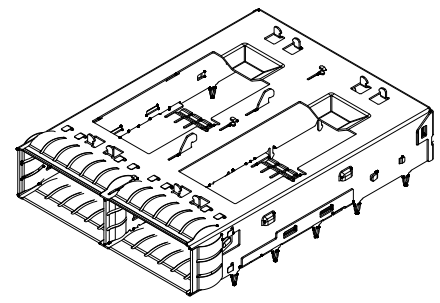
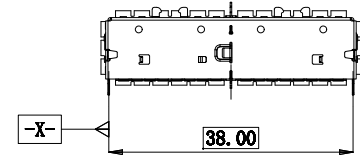
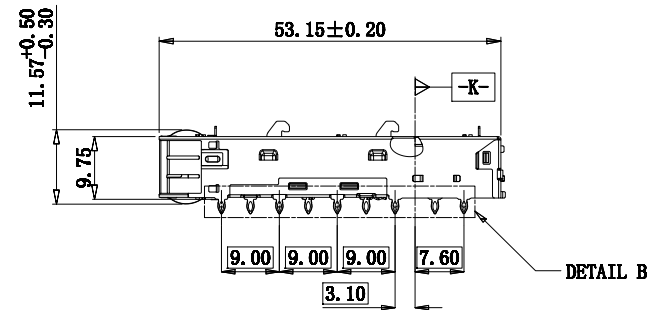
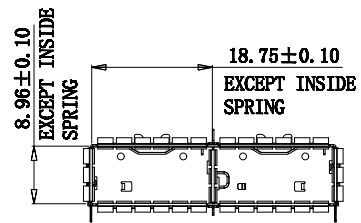
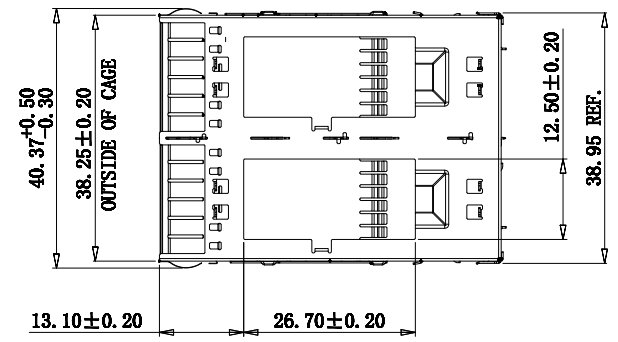
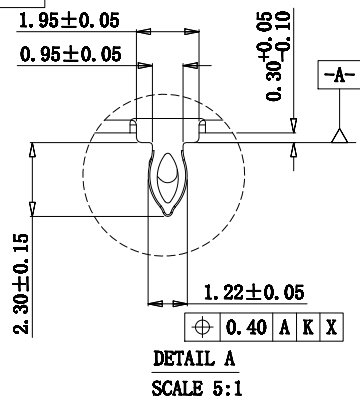




REV:	ECN. NO.	NAME	DATE



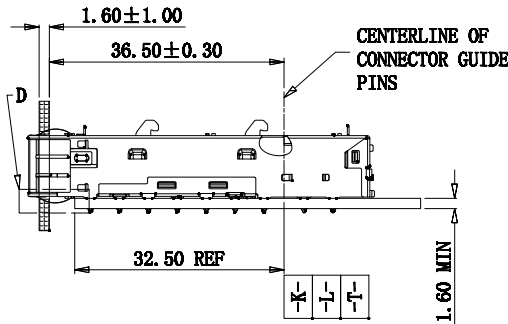
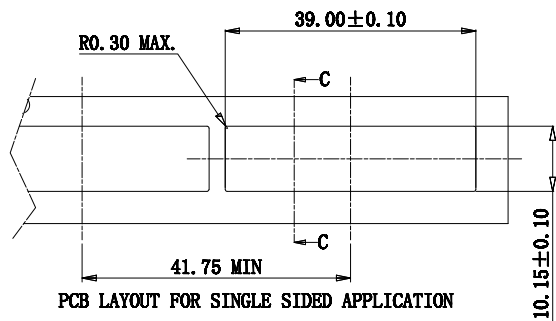
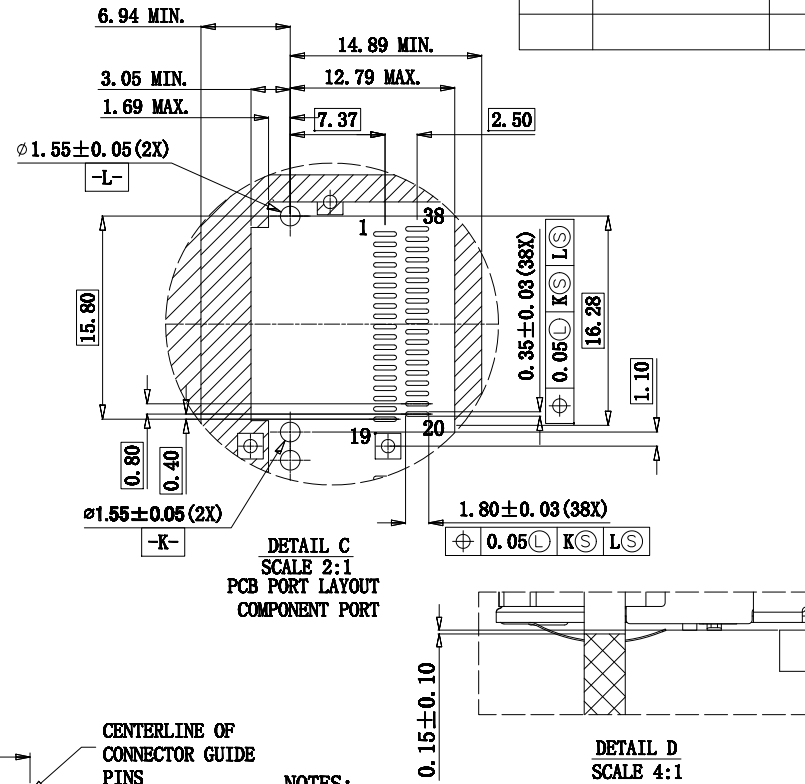
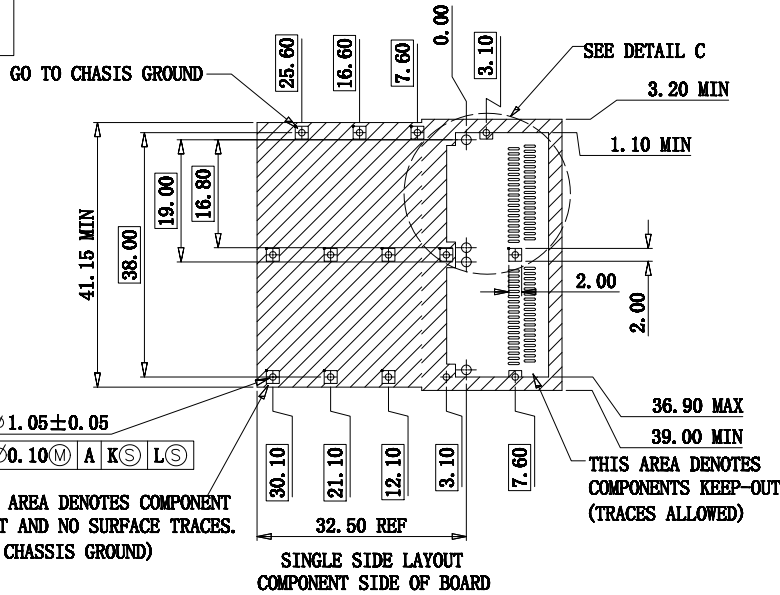
- NOTES:**
- MATERIAL:**
CAGE: STEEL, THICKNESS: 0.25mm;
EMI SPRING FINGERS: COPPER ALLOY, Δ
THICKNESS: 0.06mm REF;
 - FINISH:**
EMI SPRING FINGERS: 1.27-2.032um NICKLE OVERALL;
 - PACKAGING:**
PRODUCT PACKAGED IN TRAYS AND CARTONS.

GENERAL TOLERANCE .X±0.30 .X±1° .XX±0.20 .XX±5° .XXX±0.10		VITALCON a vital connector company		FOR YOUR VITAL CONNECTION	
DRAWN BY: Zou Long		PART NO: S5012W0100SA4		REV: A	
CHECKED BY: Bob		SIZE: A4		UNIT:mm SHEET:1 OF 3 FCN: A4	
APPROVED BY: QPF		PROJECTION		http://www.vitalconn.com	

For technical support, please send an email to support@vitalconn.com



REV:	ECN. NO.	NAME	DATE



- NOTES:
1. SEE zQSFPP+ MSA SPECIFICATION FOR BEZEL LOCATION TOLERANCE
 2. DATUM -A- IS TIP SURFACE OF HOST BOARD PER MSA
 3. FINISHED HOLE SIZE (AFTER PLATING)
 4. DATUM -K- IS HOST BOARD THRE HOLE #1 TO ACCEPT CONNECTOR GUIDE POST PER MSA
 5. DATUM -L- IS HOST BOARD THRE HOLE #2 TO ACCEPT CONNECTOR GUIDE POST PER MSA
 6. DATUM -T- IS HARD STOP ON CAGE PER MSA

GENERAL TOLERANCE
 .X±0.30 .X±1°
 .XX±0.20 .XX±5°
 .XXX±0.10



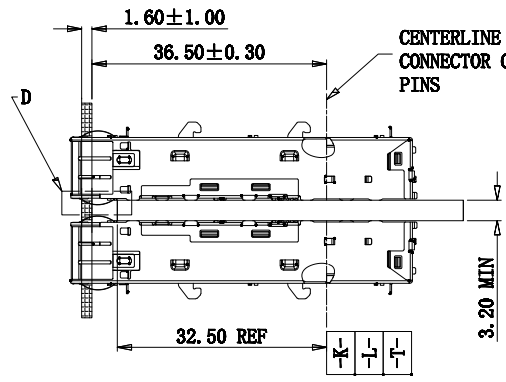
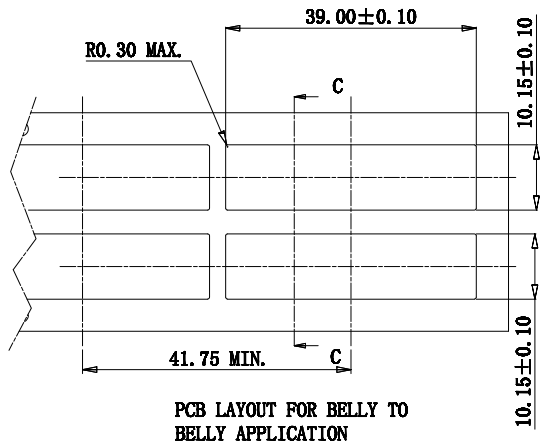
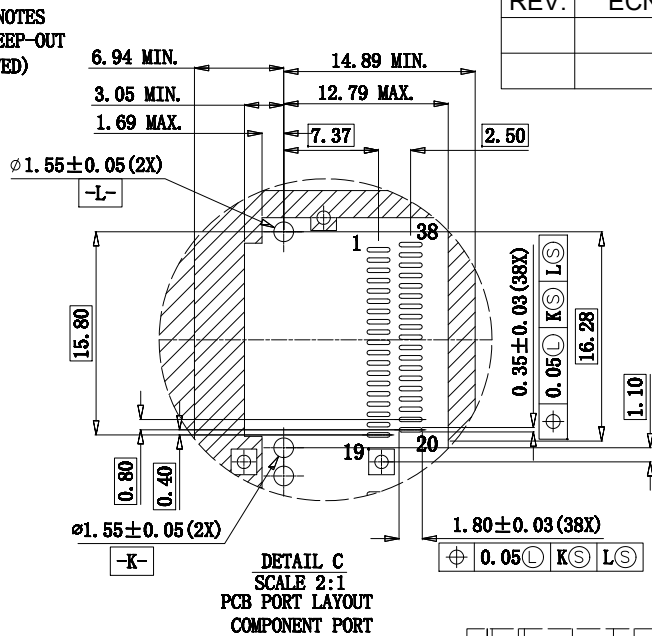
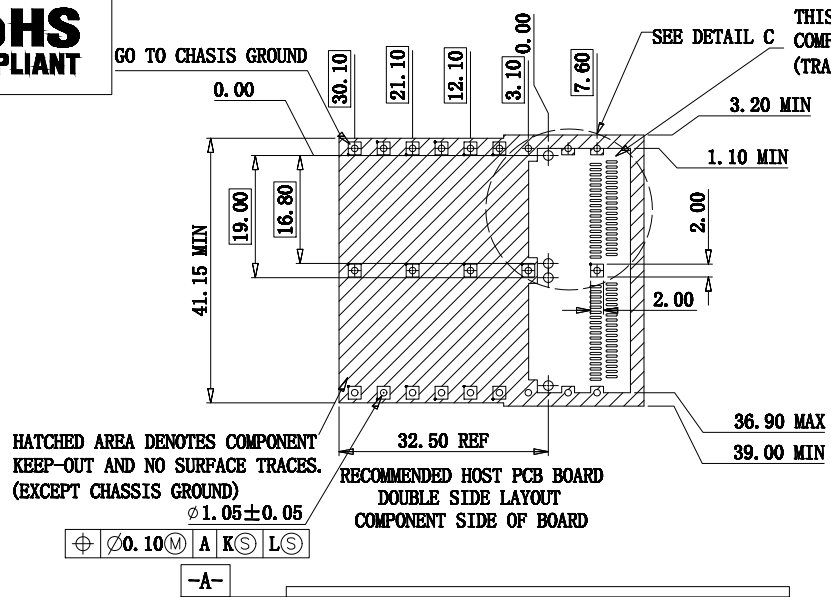
FOR YOUR
 VITAL CONNECTION

TITLE: QSFP 28G 1X2 CAGE

DRAWN BY:	Zou Long	PART NO:	S5012W0100SA4	REV: A
CHECKED BY:	Bob	SIZE: A4	UNIT:mm	SHEET:2 OF 3
APPROVED BY:	QPF	PROJECTION		FCN: A4
For technical support, please send an email to support@vitalconn.com		http://www.vitalconn.com		



REV:	ECN. NO.	NAME	DATE



- NOTES:**
1. SEE zQSFP+ MSA SPECIFICATION FOR BEZEL LOCATION TOLERANCE
 2. DATUM -A- IS TIP SURFACE OF HOST BOARD PER MSA
 3. FINISHED HOLE SIZE (AFTER PLATING)
 4. DATUM -K- IS HOST BOARD THREE HOLE #1 TO ACCEPT CONNECTOR GUIDE POST PER MSA
 5. DATUM -L- IS HOST BOARD THREE HOLE #2 TO ACCEPT CONNECTOR GUIDE POST PER MSA
 6. DATUM -T- IS HARD STOP ON CAGE PER MSA

GENERAL TOLERANCE .X±0.30 .X±1° .XX±0.20 .XX±5° .XXX±0.10		VITALCON a vital connector company		FOR YOUR VITAL CONNECTION	
DRAWN BY: Zou Long		TITLE: QSFP 28G 1X2 CAGE		PART NO: S5012W0100SA4	
CHECKED BY: Bob		SIZE: A4		UNIT:mm	
APPROVED BY: QPF		PROJECTION		SHEET:3 OF 3	
				FCN: A4	
				http://www.vitalconn.com	

For technical support, please send an email to support@vitalconn.com