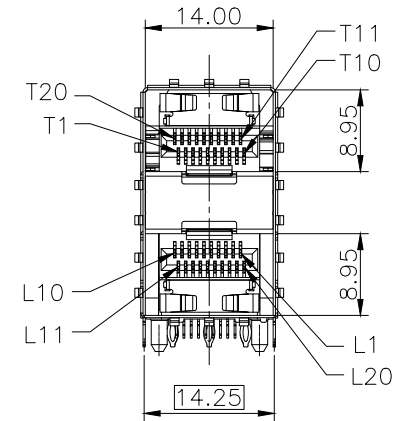
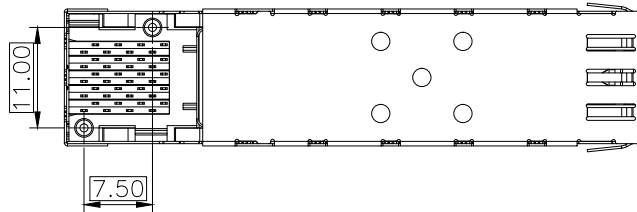
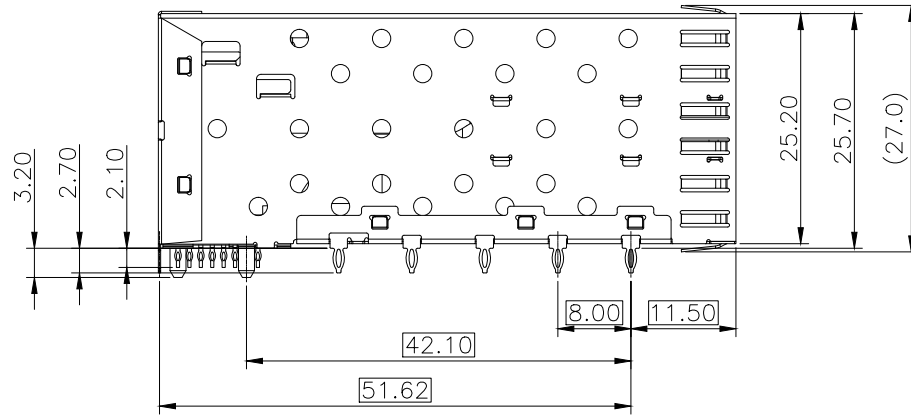
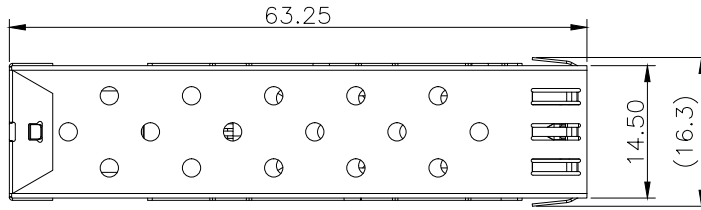




7		8	
REV:	ECN. NO.	NAME	DATE



NOTES:

MATERIAL:
 CAGE: COPPER ALLOY, THICKNESS 0.25mm
 CONNECTOR:
 PLASTIC HOUSING: HIGH TEMPERATURE LCP, UL94 V-0.
 SPRING: STAINLESS STEEL, THICKNESS 0.20mm
 CONTACTS: PHOSPHOR BRONZE, THICKNESS 0.20mm
 PLATING: 15μ" MIN. GOLD ON MATING AREA,
 150μ" MIN. MATE TIN ON SOLDER TAILS.

PACKAGING: TRAY PACKAGING.

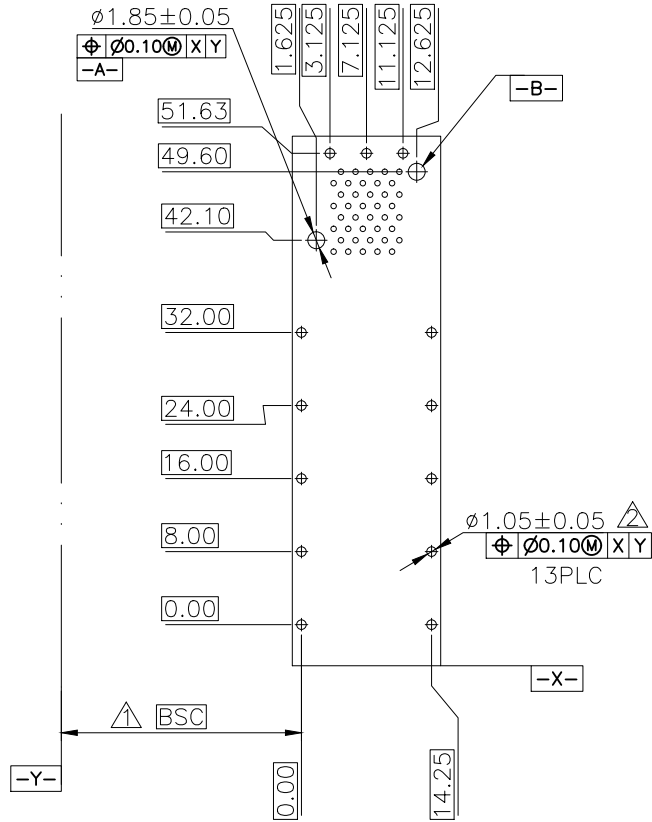
TEMPERATURE RANGE: -40°C TO +85°C

GENERAL TOLERANCE .X±0.20 .X±1° .XX±0.15 .XX±5° .XXX±0.10		VITALCON a vital connector company		FOR YOUR VITAL CONNECTION	
DRAWN BY: Zou Long		TITLE: SFP 2X1 CAGE+CONNECTOR		PART NO: S1N3A00200BA4	
CHECKED BY: Bob		UNIT:mm		REV: A	
APPROVED BY: QPF		PROJECTION		SHEET:1 OF 3	
				FCN: A4	
				http://www.vitalconn.com	

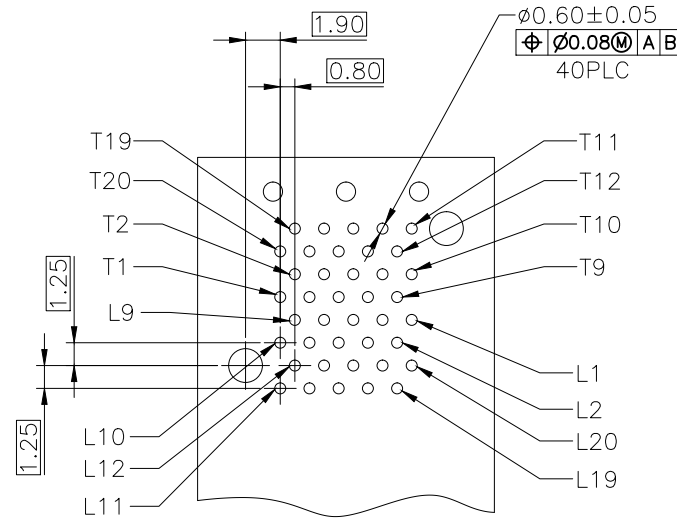
For technical support, please send an email to support@vitalconn.com



REV:	ECN. NO.	NAME	DATE



RECOMMENDED PCB CONFIGURATION



NOTES:

1. DATUM AND BASIC DIMENSIONS ESTABLISHED BY CUSTOMER.
2. 1.05 mm DIAMETER HOLES ARE CHASSIS GROUND .

GENERAL TOLERANCE
 .X±0.20 .X±1°
 .XX±0.15 .XX±5°
 .XXX±0.10



FOR YOUR VITAL CONNECTION

TITLE: SFP 2X1 CAGE+CONNECTOR

DRAWN BY: Zou Long PART NO: S1N3A00200BA4 REV: A

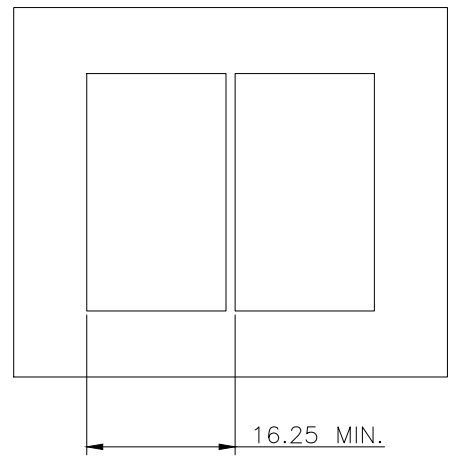
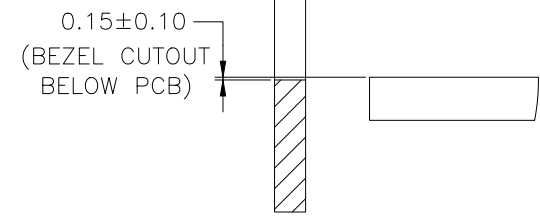
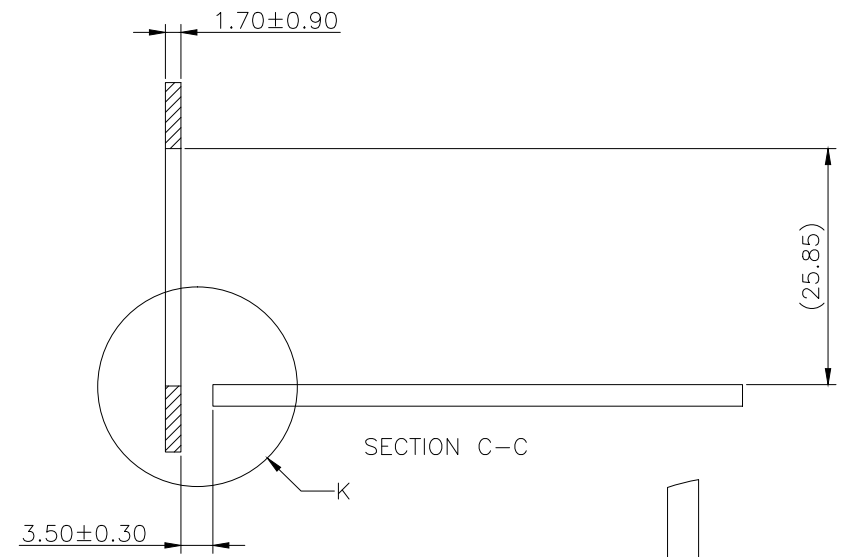
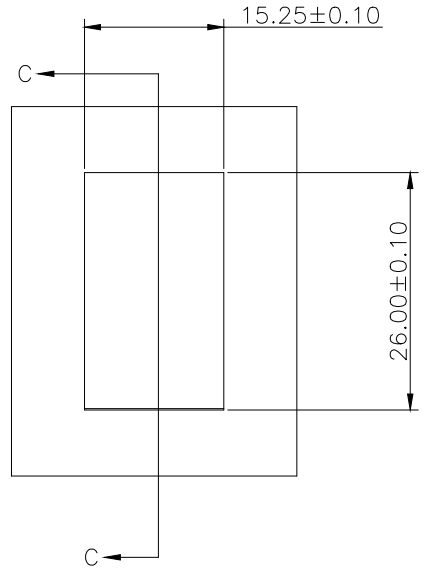
CHECKED BY: Bob SIZE: A4 UNIT:mm SHEET:2 OF 3 FCN: A4

APPROVED BY: QPF PROJECTION <http://www.vitalconn.com>

For technical support, please send an email to support@vitalconn.com



7		8	
REV:	ECN. NO.	NAME	DATE



RECOMMENDED BEZEL DESIGN

DETAIL K
2:1

GENERAL TOLERANCE .X±0.20 .X±1° .XX±0.15 .XX±5° .XXX±0.10		 a vital connector company		FOR YOUR VITAL CONNECTION	
DRAWN BY: Zou Long		TITLE: SFP 2X1 CAGE+CONNECTOR		REV: A	
CHECKED BY: Bob		PART NO: S1N3A00200BA4		FCN: A4	
APPROVED BY: QPF		SIZE: A4		UNIT:mm	
		PROJECTION		 http://www.vitalconn.com	

For technical support, please send an email to support@vitalconn.com