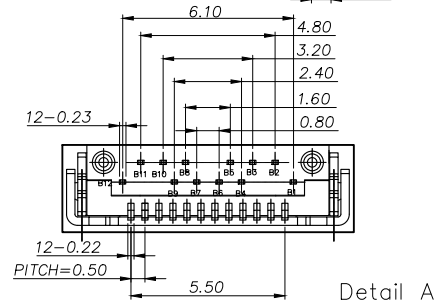
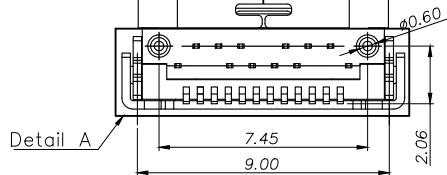
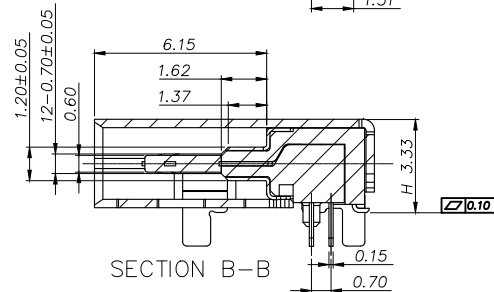
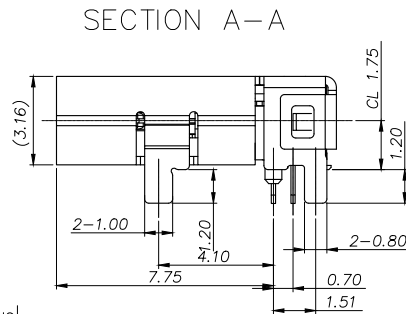
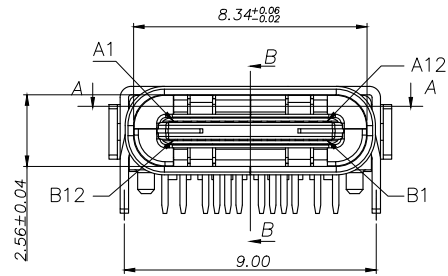
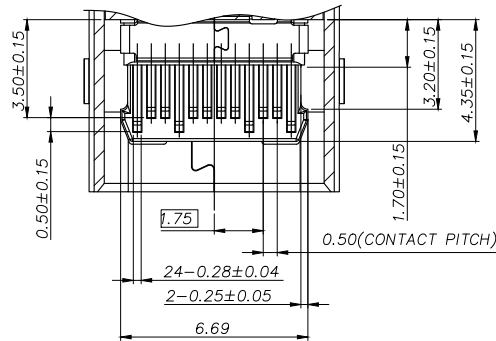
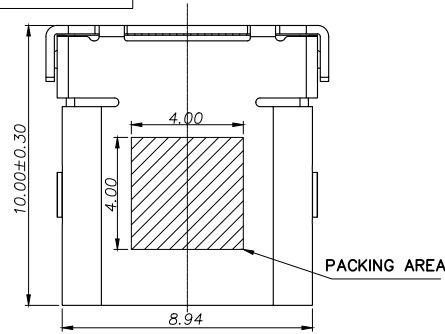




REV:	ECN. NO.	NAME	DATE



- NOTES: 1. MATERIAL:
 MOLDING: LCP UL94 V-0
 CONTACT: COPPER ALLOY.
 GOLD PLATED Min ON CONTACT AREA, 100u"
 Min TIN (LEAD FREE) ON SOLDER AREA,
 SHELL: SUS304-1/2H, T=0.30±0.03mm
 50u" NICKEL PLATING OVER ALL.
 EMI-SHELL: SUS304-H, T=0.12±0.03mm
 Shield SHELL: SUS301-H, T=0.15±0.01mm
2. MECHANICAL:
 INSERTION: 5~20N.
 EXTRACTION: 8~20N AFTER TEST.
 DURABILITY: 10000 CYCLES
3. ELECTRICAL:
 CURRENT: 3A FOR VBUS;
 1.25A FOR GND PIN.
 0.25A FOR OTHER.
 VOLTAGE: 20 V MAX
 WITHSTANDING VOLTAGE: 100V AC R.M.S.
 CONTACT RESISTANCE: 40mΩ MAX.
 INSULATION RESISTANCE: 100MΩ MIN.
4. ENVIRONMENTAL
 TEMPERATURE RANGE -55°C ~ +85°C

5. PART No.
 UC32-1 A 1 H 1 A 001-0 H R-26

HOUSING MATERIAL:
 A= LCP

COLOR:
 A= Black

SHELL MATERIAL:
 H=Stainless Steel

PACKING:
 R=TAPE&REEL

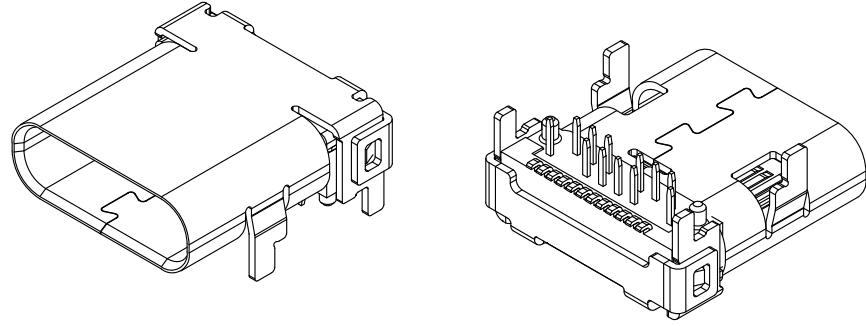
CONTACT PLATING:
 001= G/F PLATING ON CONTACT AREA;
 TIN PLATING ON SOLDER TAIL
 003= Au 3u" PLATING ON CONTACT AREA;
 TIN PLATING ON SOLDER TAIL
 015= Au 15u" PLATING ON CONTACT AREA;
 TIN PLATING ON SOLDER TAIL
 030= Au 30u" PLATING ON CONTACT AREA;
 TIN PLATING ON SOLDER TAIL

TOLERANCE		VITALCON		FOR YOUR VITAL CONNECTION	
X.X	±0.30	X.°	±10°	TITLE: USB 3.1 C TYPE FEMALE TOP CONNECTOR L=10.00	
.XX	±0.20	.X°	±8°		
.XXX	±0.10	.XX°	±5°	PART NO: UC32-1A1H1A001-0HR-26 REV: A	
UNITS		mm		SIZE: A4	UNIT:mm
DRAWN BY: Zou Long		PART NO: UC32-1A1H1A001-0HR-26		SHEET: 1 OF 4 FCN: F9	
CHECKED BY: Bob		SIZE: A4		http://www.vitalconn.com	
APPROVED BY: QPF		PROJECTION			

For technical support, please send an email to support@vitalconn.com

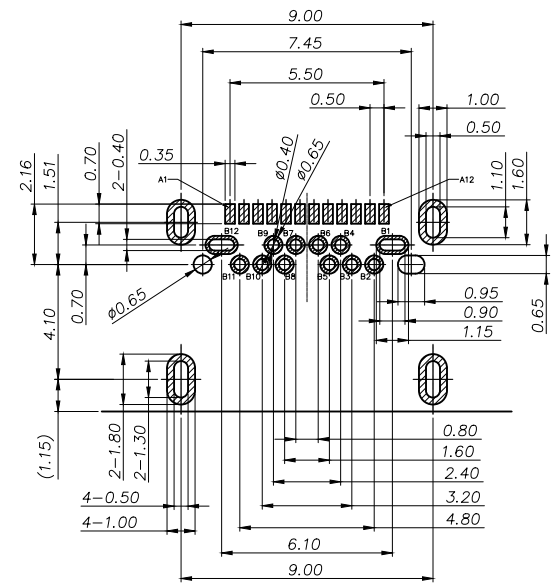


REV:	ECN. NO.	NAME	DATE



USB TYPE-C FULL-FEATURED RECEPTACLE INTERFACE PIN ASSIGNMENTS

PIN	Signal Name	Description	PIN	Signal Name	Description
A1	GND	Ground return	B12	GND	Ground return
A2	SSTXp1	Positive half of first SuperSpeed TX differential pair	B11	SSRXp1	Positive half of first SuperSpeed RX differential pair
A3	SSTXn1	Negative half of first SuperSpeed TX differential pair	B10	SSRXn1	Negative half of first SuperSpeed RX differential pair
A4	VBUS	Bus Power	B9	VBUS	Bus Power
A5	CC1	Configuration Channel	B8	SBU2	Sideband Use (SBU)
A6	Dp1	Positive half of the USB 2.0 differential pair-Position 1	B7	Dn2	Negative half of the USB 2.0 differential pair-Position 2
A7	Dn1	Negative half of the USB 2.0 differential pair-Position 1	B6	Dp2	Positive half of the USB 2.0 differential pair-Position 2
A8	SBU1	Sideband Use (SBU)	B5	CC2	Configuration Channel
A9	VBUS	Bus Power	B4	VBUS	Bus Power
A10	SSRXn2	Negative half of second SuperSpeed RX differential pair	B3	SSTXn2	Negative half of second SuperSpeed TX differential pair
A11	SSRXp2	Positive half of second SuperSpeed RX differential pair	B2	SSTXp2	Positive half of second SuperSpeed TX differential pair
A12	GND	Ground return	B1	GND	Ground return



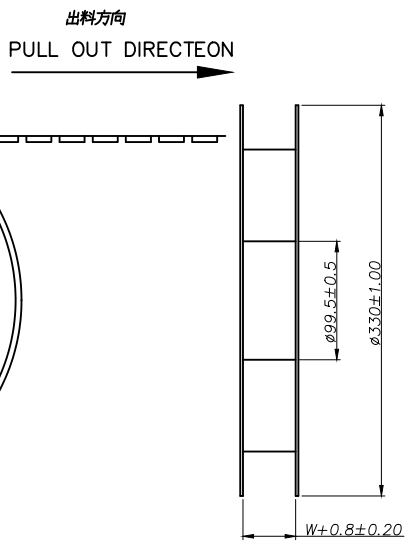
RECOMMEND P.C.B LAYOUT (COMPONENT SIDE)
 TOLERANCE FOR PCB LAYOUT IS ± 0.05
 KEEP OUT AREA

TOLERANCE X.X ±0.30 X.° ±10° .XX ±0.20 .X° ±8° .XXX ±0.10 .XX° ±5° UNITS mm		 VITALCONN a vital connector company		FOR YOUR VITAL CONNECTION	
TITLE:		USB 3.1 C TYPE FEMALE TOP CONNECTOR L=10.00			
DRAWN BY:	Zou Long	PART NO:	UC32-1A1H1A001-0HR-26	REV: A	
CHECKED BY:	Bob	SIZE: A4	UNIT: mm	SHEET: 2 OF 4	FCN: F9
APPROVED BY:	QPF	PROJECTION		http://www.vitalconn.com	

For technical support, please send an email to support@vitalconn.com

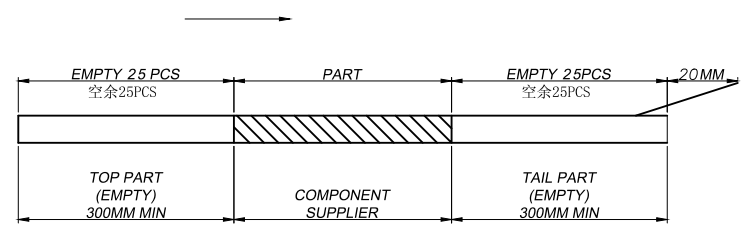


REV:	ECN. NO.	NAME	DATE

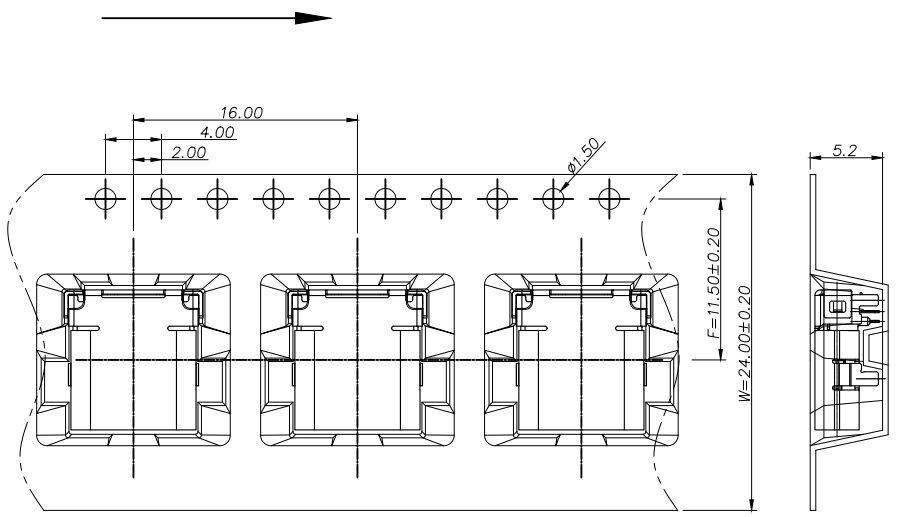
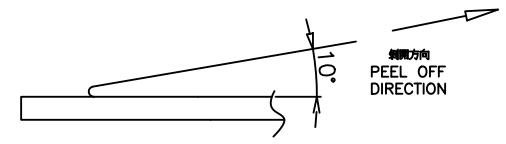


NOTES

1.帶子引導長度
LEAD TAPE LENGTH
 出料方向
PULL OUT DIRECTEON



2.上帶 剝力力為: 0.1~1.3N(10.2gf~130gf)
PEELING OFF FORCE OF TOP TAPE:0.1~1.3N(10.2gf~130gf)
 出貨 運輸過程中一定注意:
THIS REQUIREMENT SHOULD BE APPLIED AT SHIPMENT:
 卷帶在運輸過程中不能散開
PEELING OFF SHOULD NOT BE ALLOWED DURING TRANSPORTATION



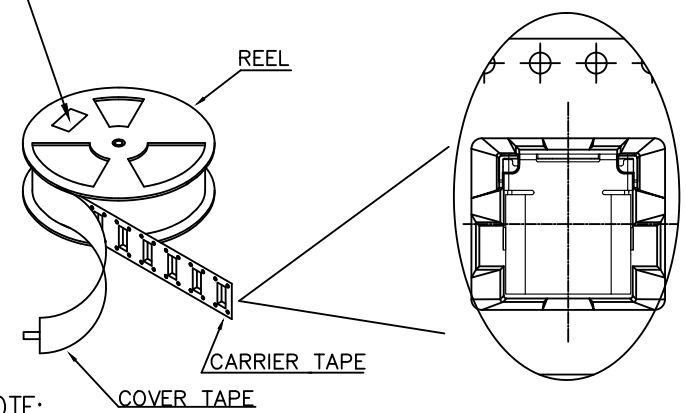
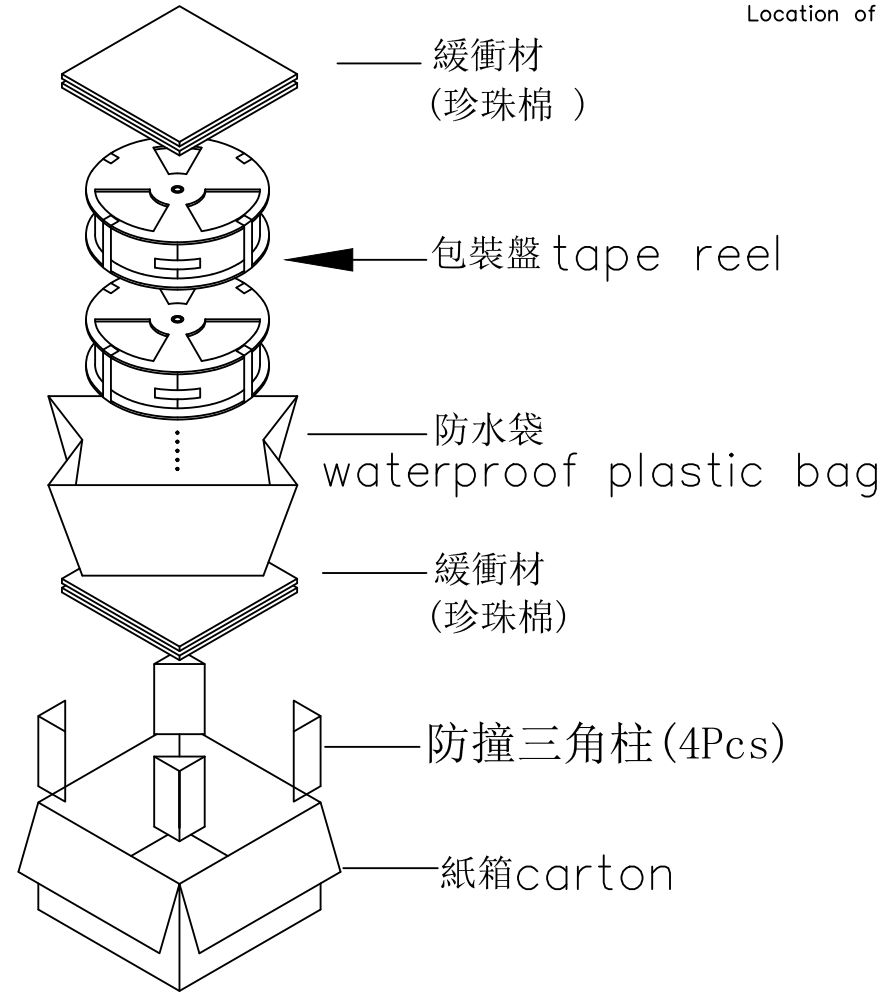
TOLERANCE X.X ±0.30 X.° ±10° .XX ±0.20 .X° ±8° .XXX ±0.10 .XX° ±5° UNITS mm				FOR YOUR VITAL CONNECTION	
TITLE:		USB 3.1 C TYPE FEMALE TOP CONNECTOR L=10.00			
DRAWN BY: Zou Long	PART NO: UC32-1A1H1A001-0HR-26	REV: A		FCN: F9	
CHECKED BY: Bob	SIZE: A4	UNIT: mm	SHEET: 3 OF 4	http://www.vitalconn.com	
APPROVED BY: QPF	PROJECTION				

For technical support, please send an email to support@vitalconn.com



REV:	ECN. NO.	NAME	DATE

at small positioning hole of the carrier tape side).
 標籤黏貼處 (朝捲裝包材的小定位孔一側)
 Location of label sticking (label)



- NOTE:
1. 每捲包裝數量及每箱裝箱數量如左下表格。
Packing q'ty of each reel & carton as below table shown.
 2. 以上膠帶覆蓋下包裝帶經包裝機自粘包裝
Use cover tape to cover and melt machine to seal up.
 3. 每個紙箱放2個珍珠棉
Every carton use 2pcs EPE.
 4. 將裝滿產品的卷盤放入紙箱并以膠帶封口
Put reels in the carton and use adhesive tape to seal up.

產品料號 (PRODUCT No.)	包裝容量 (PACKING CAPACITY)			重量 WEIGHT (Kg)		
	PCS/REEL	REELS/CARTON	PCS/CARTON	N.W./PCS	N.W./BOX	G.W./BOX
UC32-1A1H1A001-0HR-26	700	8	5600	0.704		

TOLERANCE X.X ±0.30 X.° ±10° .XX ±0.20 .X° ±8° .XXX ±0.10 .XX° ±5° UNITS mm		VITALCON a vital connector company		FOR YOUR VITAL CONNECTION	
TITLE:		USB 3.1 C TYPE FEMALE TOP CONNECTOR L=10.00			
DRAWN BY:	Zou Long	PART NO:	UC32-1A1H1A001-0HR-26	REV: A	
CHECKED BY:	Bob	SIZE: A4	UNIT:mm	SHEET:4 OF 4	FCN: F9
APPROVED BY:	QPF	PROJECTION		http://www.vitalconn.com	

For technical support, please send an email to support@vitalconn.com