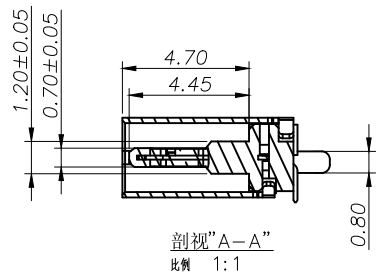
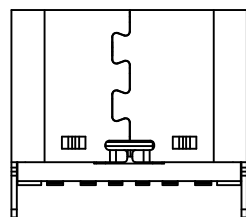
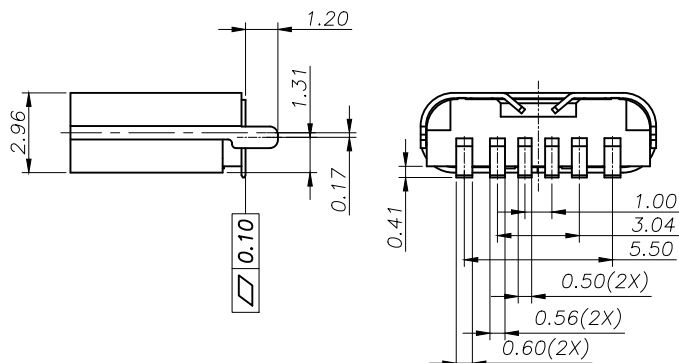
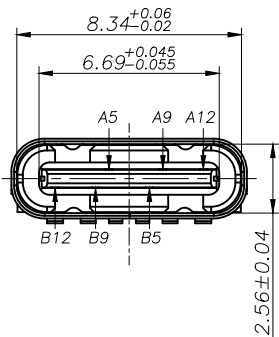
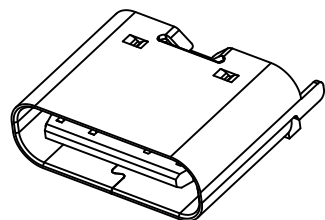
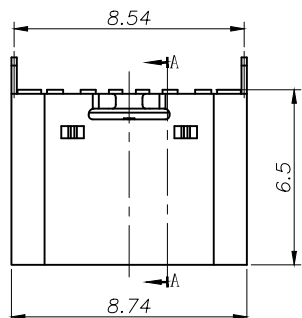




REV:	ECN. NO.	NAME	DATE



NOTE:

1.MATERIAL SPECIFICATION:

- 1.HOUSING:HIGH TEMPERATURE RESISTANT PLASTIC,UL94 V-0.
- 2.TERMINAL: COPPER ALLOY
- 3.MID PLATE: STAINLESS STEEL
- 4.FRONT SHELL: STAINLESS STEEL

2.PLATING SPECIFICATION:

- 2-1.TERMINAL:
PLATING NICKEL 50u" MIN. UNDER OVER ALL.
Au PLATED ON THE SOLDERING AREA AND THE CONTACT AREA.
(GOLD PLATING THICKNESS FOLLOWS THE P/N)
PLATING SPECIFICATIONS OF THE SOLDERING AREA FOLLOWS THE P/N
- 2-2.FRONT SHELL:
PLATING SPECIFICATIONS FOLLOWS THE P/N
- 2-3.MID PLATE
CLEAR ONLY

3.MECHANICAL PERFORMANCE,

- 3-1.INSERTION FORCE: 0.5~2.0kgf.
- 3-2.REMOVAL FORCE: 0.8kgf~2.0kgf.
- 3-3.DURABILITY: 10000 CYCLES.

4.ELECTRICAL PERFORMANCE,

- 4-1. VOLTAGE RATING:5V DC/AC (RMS. max)
CURRENT RATING: 5A;
1.5AMPS MIN FOR VBUS PIN,
0.25 AMPS. FOR ALL OTHER CONTACT.
- 4-2. LLCR:
VBUS & GND PINS AND OTHER PINS: 40mΩ/PIN MAX.
LLCR MAX. CHANGE OF ALL PINS: 10mΩ.
- 4-3.INSULATION RESISTANCE: 100MΩ MIN
- 4-4.DIELECTRIC WITHSTAND VOLTAGE,AC 100V FOR 1 MINUTE.

5. ENVIRONMENTAL PERFORMANCE:

OPERATING TEMPERATURE: -25°C~+85°C.

6.IR REFLOW:

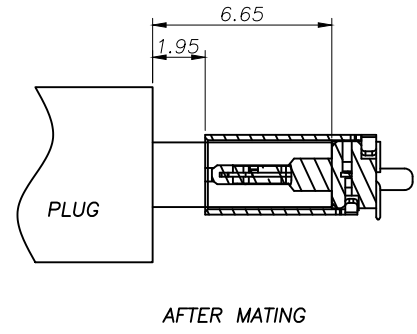
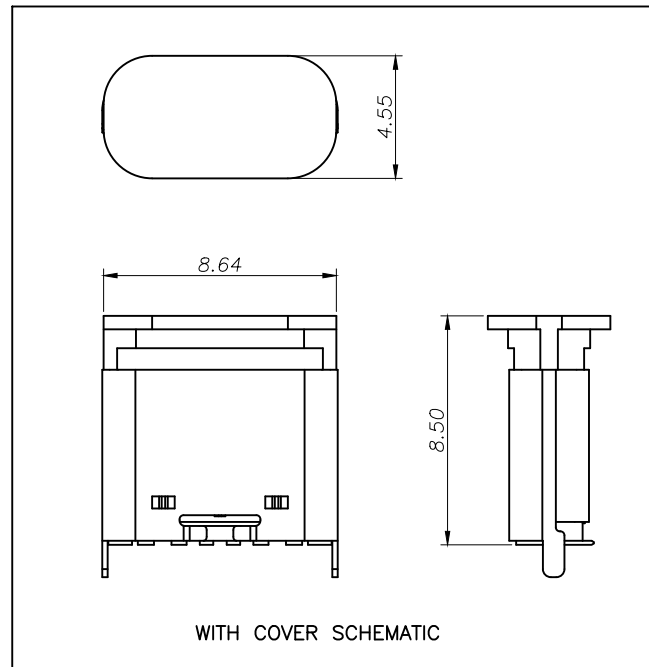
THE PEAK TEMPERATURE ON THE BOARD SHALL BE MAINTAINED FOR 10 SECONDS AT 260°C.

TOLERANCE		 a vital connector company		FOR YOUR VITAL CONNECTION			
X.X ±0.30	X.° ±10°					TITLE:	USB CF 6PIN VERTICAL SMT
.XX ±0.20	.X° ±8°	DRAWN BY:	Zou Long	PART NO:	UC22-1E1H1A101-0HR-23	REV: A	
.XXX ±0.10	.XX° ±5°	CHECKED BY:	Bob	SIZE: A4	UNIT:mm	SHEET:1 OF 3	FCN: F9
UNITS	mm	APPROVED BY:	QPF	PROJECTION	 http://www.vitalconn.com		

For technical support, please send an email to support@vitalconn.com

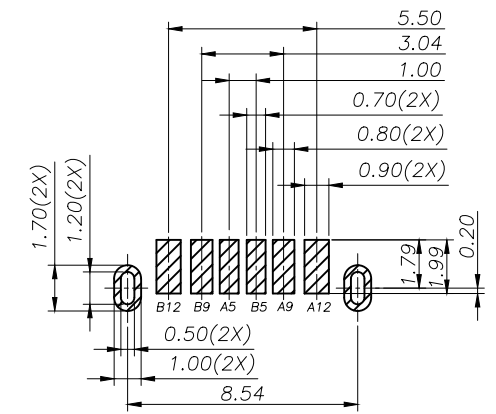


7		8	
REV:	ECN. NO.	NAME	DATE



PIN ASSIGNMENTS

PIN	SIGNAL NAME	PIN	SIGNAL NAME
A5	CC1	B12	GND
A9	VBUS	B9	VBUS
A12	GND	B5	CC2



RECOMMENDED PCB LAYOUT(TOP VIEW)
DEFAULT TOLERANCE:±0.05

ORDER INFORMATION

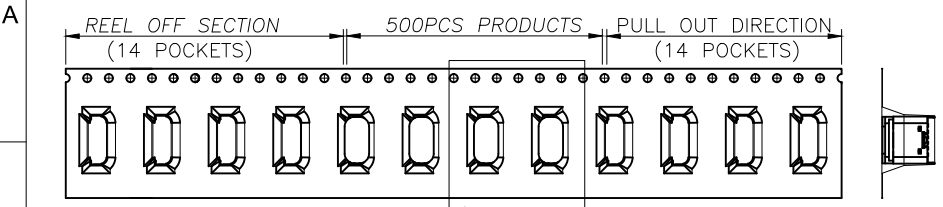
P/N:	UC22-1E1H1A101-0HR-23		
HOUSING MATERIAL	E: PA9T	CONTACT FUNCTIONAL AREA PLATED	O1: Au 1u"
HOUSING COLOR	1: BLACK	CONTACT SOLDER AREA PLATED	1: Au 1u"
SHELL MATERIAL	H:SUS304	CONTACT MATERIAL	A: C1815 CURRENT RATING:5 AMPS
SHELL PLATING	1: Ni		

TOLERANCE		 a vital connector company	FOR YOUR VITAL CONNECTION				
X.X ±0.30	X.° ±10°		TITLE:	USB CF 6PIN VERTICAL SMT			
.XX ±0.20	.X° ±8°	DRAWN BY:	Zou Long	PART NO:	UC22-1E1H1A101-0HR-23	REV: A	
.XXX ±0.10	.XX° ±5°	CHECKED BY:	Bob	SIZE: A4	UNIT:mm	SHEET:2 OF 3	FCN: F9
UNITS	mm	APPROVED BY:	QPF	PROJECTION		http://www.vitalconn.com	

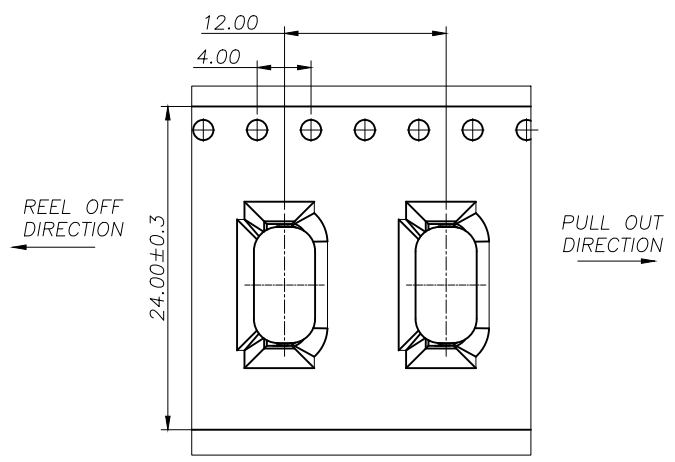
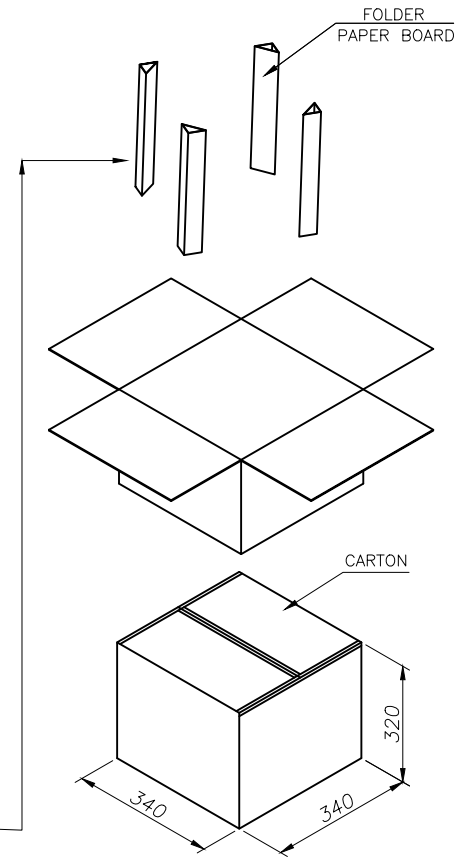
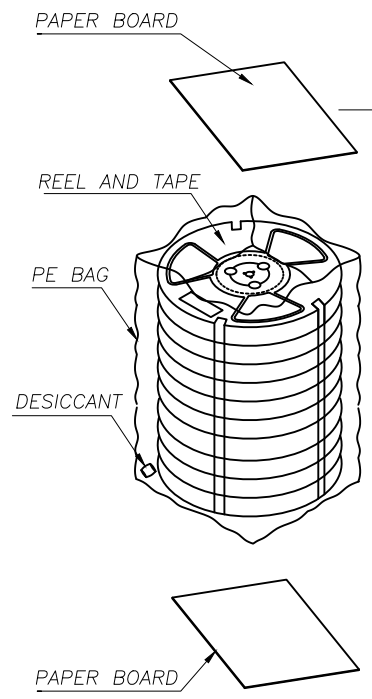
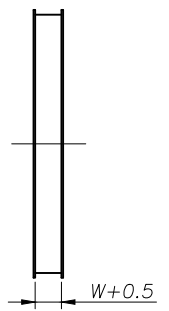
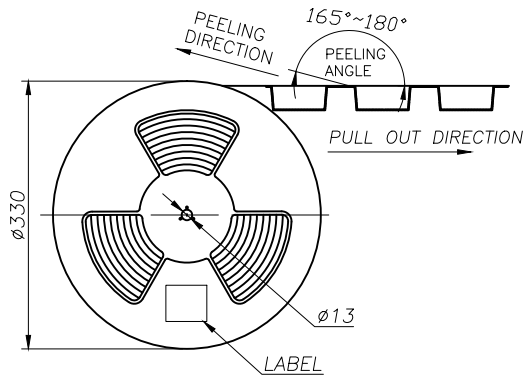
For technical support, please send an email to support@vitalconn.com



REV:	ECN. NO.	NAME	DATE



SEE DETAIL X



	REEL/TRAY	CARTON
CONNECTOR (PCS)	500	5000

TOLERANCE X.X ± 0.30 X. $^{\circ}$ $\pm 10^{\circ}$.XX ± 0.20 .X. $^{\circ}$ $\pm 8^{\circ}$.XXX ± 0.10 .XX. $^{\circ}$ $\pm 5^{\circ}$ UNITS mm		VITALCON a vital connector company		FOR YOUR VITAL CONNECTION	
TITLE:		USB CF 6PIN VERTICAL SMT			
DRAWN BY:	Zou Long	PART NO:	UC22-1E1H1A101-0HR-23	REV: A	
CHECKED BY:	Bob	SIZE: A4	UNIT:mm	SHEET:3 OF 3	FCN: F9
APPROVED BY:	QPF	PROJECTION		http://www.vitalconn.com	

For technical support, please send an email to support@vitalconn.com