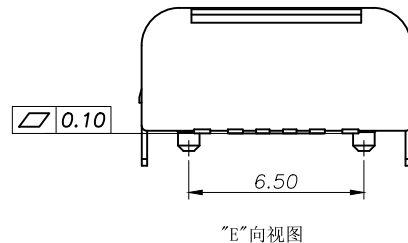
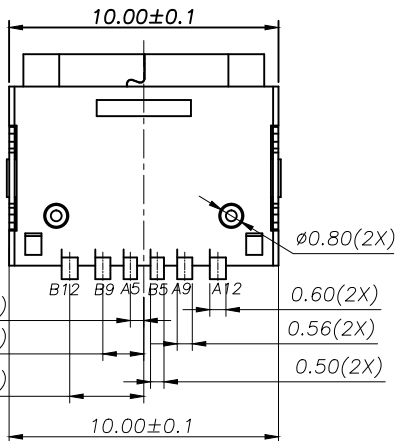
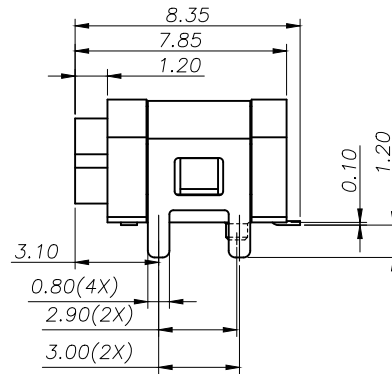
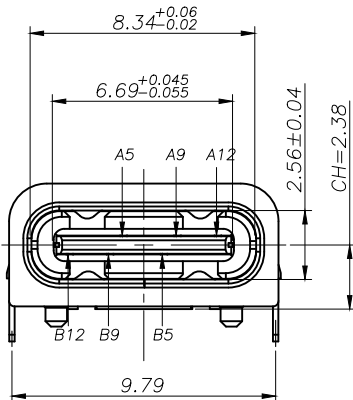
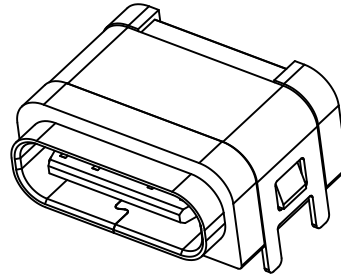
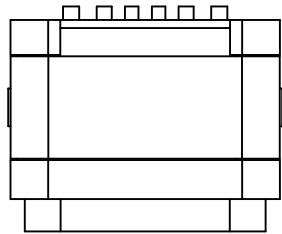




REV:	ECN. NO.	NAME	DATE



NOTE:

1.MATERIAL SPECIFICATION:

- 1.HOUSING:HIGH TEMPERATURE RESISTANT PLASTIC,UL94 V-0.
- 2.TERMINAL: COPPER ALLOY
- 3.MID PLATE: STAINLESS STEEL
- 4.FRONT SHELL: STAINLESS STEEL

2.PLATING SPECIFICATION:

2-1.TERMINAL:

- Ni 50u" MIN. UNDER PLATED OVER ALL.
- Au PLATED ON THE FUNCTIONAL AREA OF CONTACT.
- (GOLD PLATING THICKNESS FOLLOW THE P/N)
- PLATING SPECIFICATIONS OF THE SOLDER AREA FOLLOW THE P/N

2-2.FRONT SHELL:

- PLATING SPECIFICATIONS FOLLOW THE P/N

2-3.MID PLATE:

- CLEAR ONLY

3.MECHANICAL PERFORMANCE,

- 3-1.INSERTION FORCE: 0.5~2.0kgf.
- 3-2.REMOVAL FORCE: 0.8kgf~2.0kgf.
- 3-3.DURABILITY: 10000 CYCLES.

4.ELECTRICAL PERFORMANCE,

- 4-1. VOLTAGE RATING:5 V DC/AC (RMS. max)
- CURRENT RATING:3 AMPS. FOR TOTAL VBUS/GND PINS;
- 1.25AMPS FOR CC PIN,0.25 AMPS. FOR ALL OTHER CONTACT.
- 4-2. LLCR:
- VBUS & GND PINS AND OTHER PINS: 40mΩ/PIN MAX.
- LLCR MAX. CHANGE OF ALL PINS: 10mΩ.
- 4-3.INSULATION RESISTANCE: 100MΩ MIN
- 4-4.DIELECTRIC WITHSTAND VOLTAGE,AC 100V FOR 1 MINUTE.

5. ENVIRONMENTAL PERFORMANCE:

- OPERATING TEMPERATURE: -25°C~+85°C.

6.IR REFLOW:

- THE PEAK TEMPERATURE ON THE BOARD SHALL BE MAINTAINED FOR 10 SECONDS AT 260°C.

7.WATERPROOF:IPX5

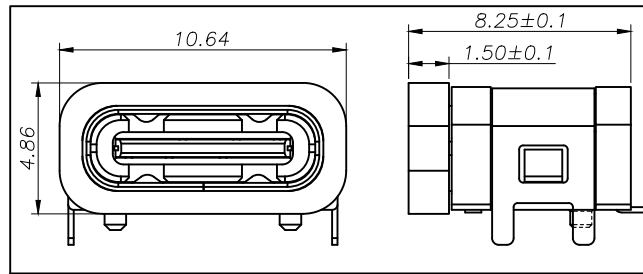
TOLERANCE		 a vital connector company	FOR YOUR VITAL CONNECTION	
X.X ±0.30	X.° ±10°		TITLE:	USB TYPE C 6pos Top-mount SMT Waterproof
.XX ±0.20	.X.° ±8°	DRAWN BY:	Zou Long	PART NO:
.XXX ±0.10	.XX° ±5°	CHECKED BY:	Bob	SIZE: A4
UNITS	mm	APPROVED BY:	QPF	PROJECTION
				<a href="http://www.vitalconn.com">http://www.vitalconn.com</a>

For technical support, please send an email to [support@vitalconn.com](mailto:support@vitalconn.com)



USB TYPE-C PIN ASSIGNMENTS

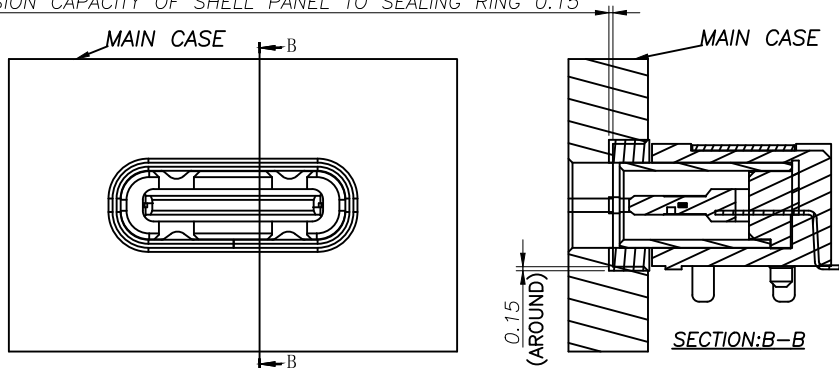
PIN NUMBER	SIGNAL NAME	PIN NUMBER	SIGNAL NAME
A1		B12	GND
A2		B11	
A3		B10	
A4		B9	VBUS
A5	CC1	B8	
A6		B7	
A7		B6	
A8		B5	CC2
A9	VBUS	B4	
A10		B3	
A11		B2	
A12	GND	B1	



Schematic diagram of attached o-ring

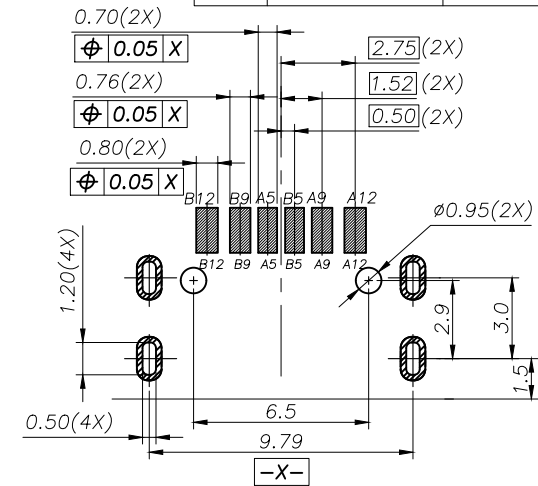
RECOMMENDED OPENING DIMENSIONS OF CASE MATING AREA WITH SEALING RING

COMPRESSION CAPACITY OF SHELL PANEL TO SEALING RING 0.15



For technical support, please send an email to support@vitalconn.com

REV:	ECN. NO.	NAME	DATE



RECOMMENDED PCB LAYOUT(TOP VIEW)  
THICKNESS 0.80MM;DEFAULT TOLERANCE:±0.05

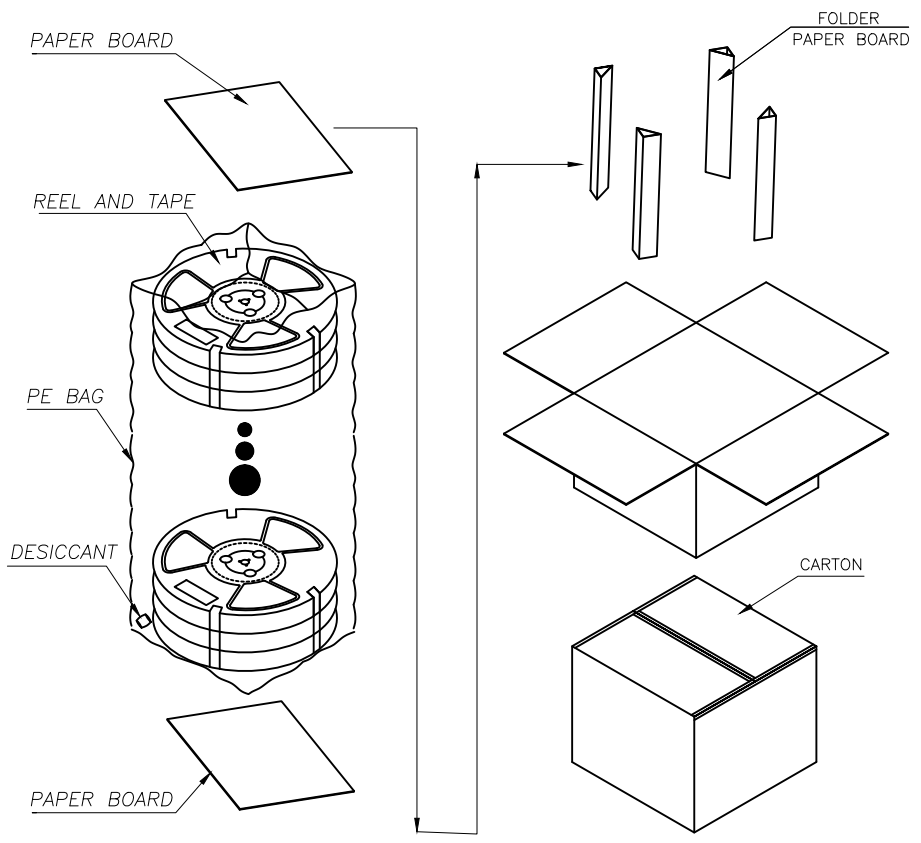
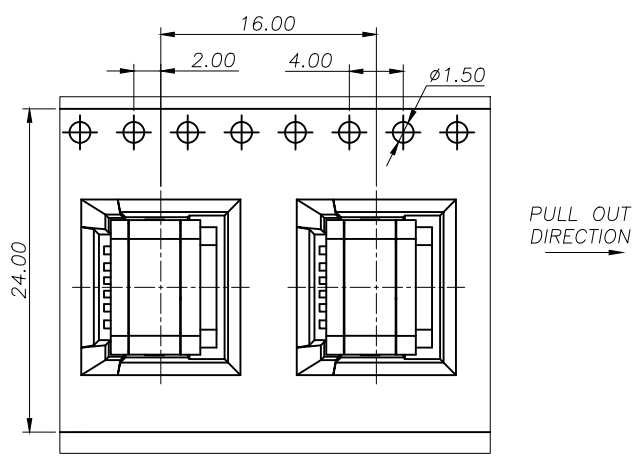
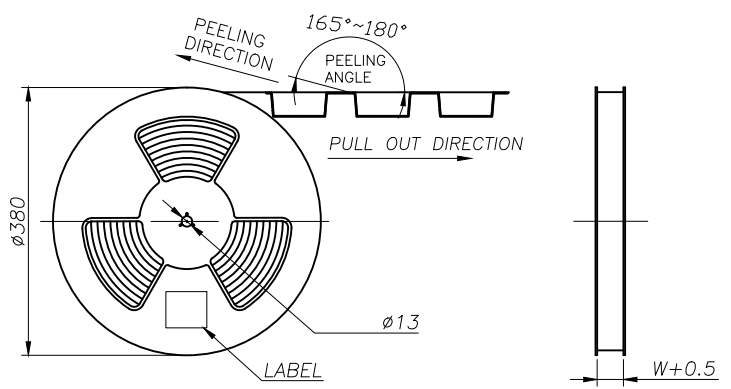
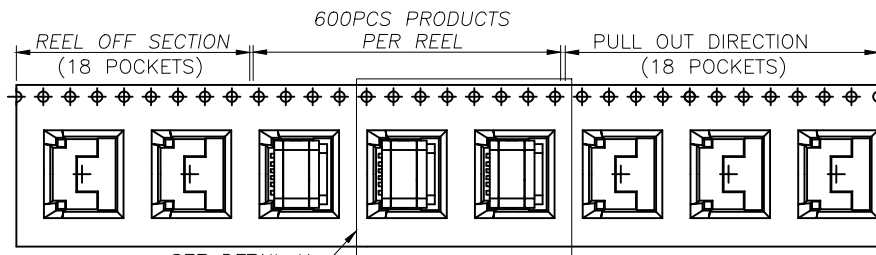
ORDER INFORMATION

P/N:	UC22-1A1H1E003-0HR-27
HOUSING MATERIAL	A: LCP
HOUSING COLOR	1: BLACK 2: WHITE 5: NATURE
SHELL MATERIAL	H:SUS304
SHELL PLATING	1: Ni
CONTACT FUNCTIONAL AREA PLATED	03: Au 3u" 15: Au 15u" 30: Au 30u"
CONTACT SOLDER AREA PLATED	0: Sn
CONTACT MATERIAL	E: C2680

TOLERANCE		VITALCON		FOR YOUR VITAL CONNECTION	
X.X ±0.30	X.° ±10°	a vital connector company		TITLE: USB TYPE C 6pos Top-mount SMT Waterproof	
.XX ±0.20	.X° ±8°				
.XXX ±0.10	.XX° ±5°	DRAWN BY: Zou Long		PART NO: UC22-1A1H1E003-0HR-27	REV: A
UNITS	mm	CHECKED BY: Bob	SIZE: A4	UNIT:mm	SHEET:2 OF 3
APPROVED BY: QPF	PROJECTION	http://www.vitalconn.com		FCN: F9	



REV:	ECN. NO.	NAME	DATE



	REEL/TRAY	CARTON
CONNECTOR (PCS)	600	6000

<b>TOLERANCE</b> X.X ±0.30    X.° ±10° .XX ±0.20    .X° ±8° .XXX ±0.10    .XX° ±5° UNITS            mm		<b>VITALCON</b> a vital connector company		FOR YOUR VITAL CONNECTION	
TITLE:		USB TYPE C 6pos Top-mount SMT Waterproof			
DRAWN BY:	Zou Long	PART NO:	UC22-1A1H1E003-0HR-27	REV: A	
CHECKED BY:	Bob	SIZE: A4	UNIT:mm	SHEET:3 OF 3	FCN: F9
APPROVED BY:	QPF	PROJECTION			<a href="http://www.vitalconn.com">http://www.vitalconn.com</a>

For technical support, please send an email to [support@vitalconn.com](mailto:support@vitalconn.com)