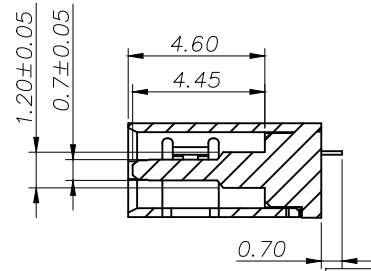
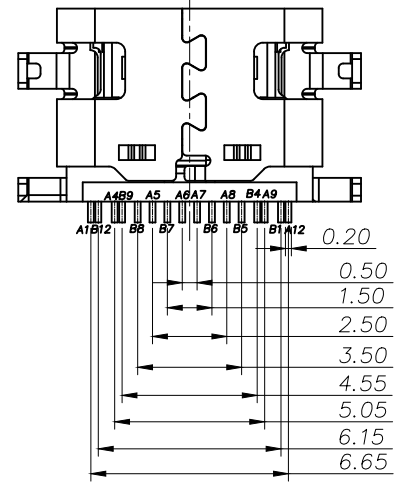
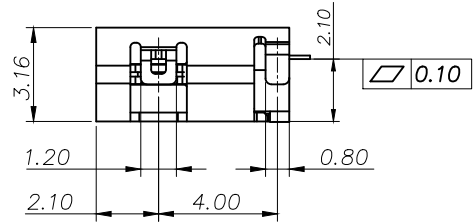
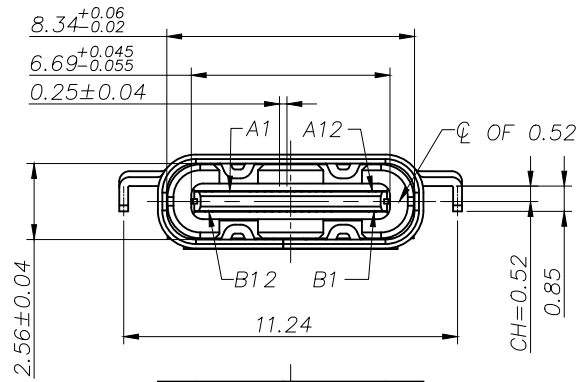
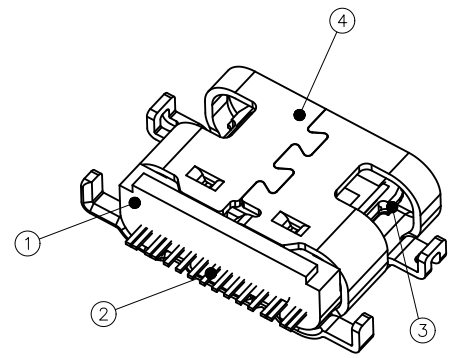
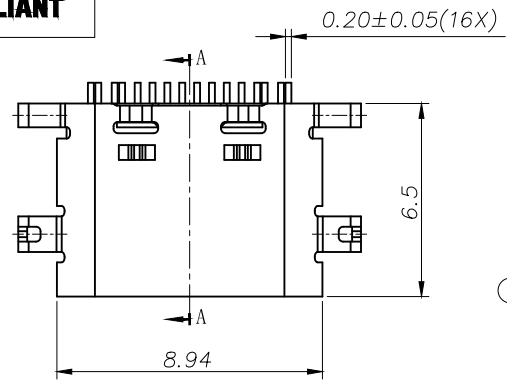




REV:	ECN. NO.	NAME	DATE



NOTE:

1.MATERIAL SPECIFICATION:

- HOUSING: HIGH TEMPERATURE RESISTANT PLASTIC, UL94 V-0.
- TERMINAL: COPPER ALLOY(C1815)
- MID PLATE: STAINLESS STEEL(SUS301)
- FRONT SHELL: STAINLESS STEEL(SUS304)

2.PLATING SPECIFICATION:

- TERMINAL:
Ni 50u" MIN. UNDER PLATED OVER ALL.
Au PLATED ON THE FUNCTIONAL AREA OF CONTACT.
(GOLD PLATING THICKNESS FOLLOW THE P/N)
PLATING SPECIFICATIONS OF THE SOLDER AREA FOLLOW THE P/N
- FRONT SHELL:
PLATING SPECIFICATIONS FOLLOW THE P/N
- MID PLATE:
CLEAR ONLY

3.MECHANICAL PERFORMANCE,

- INSERTION FORCE: 0.5~2.0kgf.
- REMOVAL FORCE: 0.8kgf~2.0kgf.
- DURABILITY: 10000 CYCLES.

4.ELECTRICAL PERFORMANCE,

- VOLTAGE RATING: 5 V DC/AC (RMS. max)
CURRENT RATING: 5 AMPS. FOR TOTAL VBUS/GND PINS;
1.25AMPS FOR CC PIN, 0.25 AMPS. FOR ALL OTHER CONTACT.
- LLCR:
VBUS & GND PINS AND OTHER PINS: 40mΩ/PIN MAX.
LLCR MAX. CHANGE OF ALL PINS: 10mΩ
- INSULATION RESISTANCE: 100MΩ MIN
- DIELECTRIC WITHSTAND VOLTAGE, AC 100V FOR 1 MINUTE.

5. ENVIRONMENTAL PERFORMANCE:
OPERATING TEMPERATURE: -25°C~+85°C.

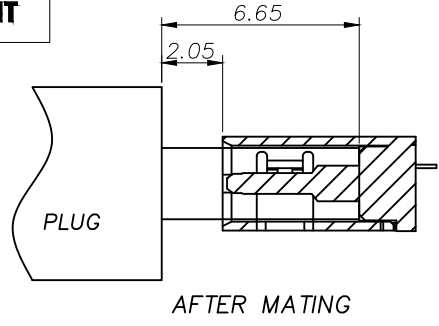
6.IR REFLOW:
THE PEAK TEMPERATURE ON THE BOARD SHALL BE MAINTAINED FOR 10 SECONDS AT 260°C.

TOLERANCE		 a vital connector company		FOR YOUR VITAL CONNECTION	
X.X	±0.30			X.°	±10°
.XX	±0.20	.X°	±8°		
.XXX	±0.10	.XX°	±5°	UNIT:mm SHEET:1 OF 3 FCN: F9	
UNITS		mm			
DRAWN BY:	Zou Long	PROJECTION		http://www.vitalconn.com	
CHECKED BY:	Bob	SIZE: A4	UNIT:mm		
APPROVED BY:	QPF	PROJECTION		http://www.vitalconn.com	

For technical support, please send an email to support@vitalconn.com



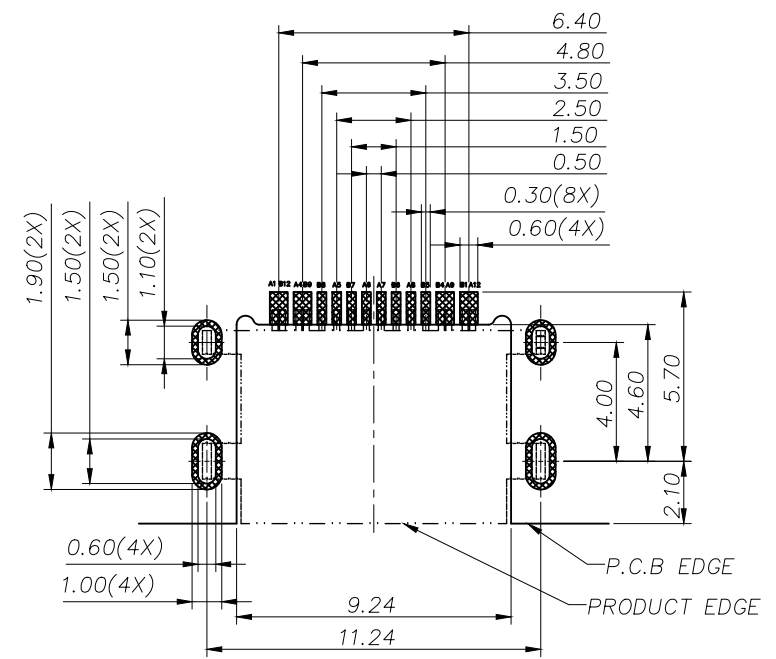
7		8	
REV:	ECN. NO.	NAME	DATE



USB TYPE-C PIN ASSIGNMENTS

PIN NUMBER	SIGNAL NAME	PIN NUMBER	SIGNAL NAME
A1	GND	B12	GND
A4	VBUS	B9	VBUS
A5	CC1	B8	SBU2
A6	Dp1	B7	Dn2
A7	Dn1	B6	Dp2
A8	SBU1	B5	CC2
A9	VBUS	B4	VBUS
A12	GND	B1	GND

ORDER INFORMATION



RECOMMENDED PCB LAYOUT(TOP VIEW)
THICKNESS 0.80MM;DEFAULT TOLERANCE: ±0.05

P/N: UC22-4E1H1A103-0HR-02

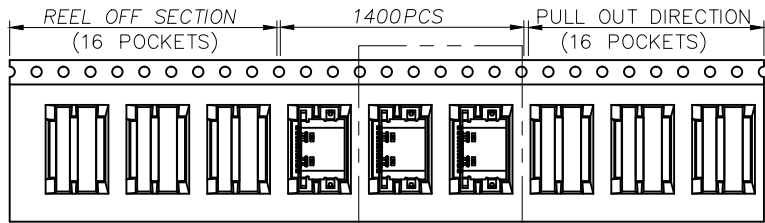
HOUSING MATERIAL	A: LCP	E: PA9T	CONTACT FUNCTIONAL AREA PLATED
HOUSING COLOR	1: BLACK	2: WHITE	5: NATURE
SHELL MATERIAL	H: SUS304	CONTACT SOLDER AREA PLATED	0: Sn
SHELL PLATING	1: Ni	CONTACT MATERIAL	1: Au 1u"
			01: Au 1u"
			03: Au 3u"
			15: Au 15u"
			30: Au 30u"

TOLERANCE X.X ±0.30 X.° ±10° .XX ±0.20 .X° ±8° .XXX ±0.10 .XX° ±5° UNITS mm		 FOR YOUR VITAL CONNECTION	
TITLE:		USB CF 16PIN (L=6.5)MID MOUNT 2.1MM	
DRAWN BY:	Zou Long	PART NO:	UC22-4E1H1A103-0HR-02 REV: A
CHECKED BY:	Bob	SIZE: A4	UNIT:mm SHEET:2 OF 3 FCN: F9
APPROVED BY:	QPF	PROJECTION	http://www.vitalconn.com

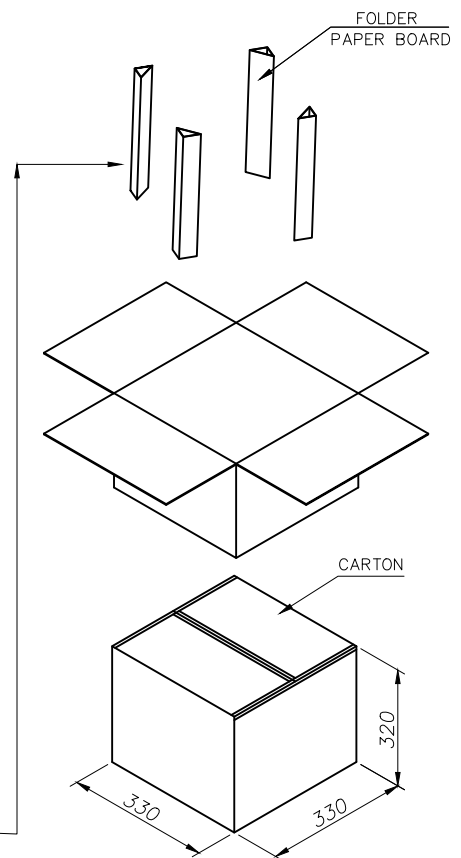
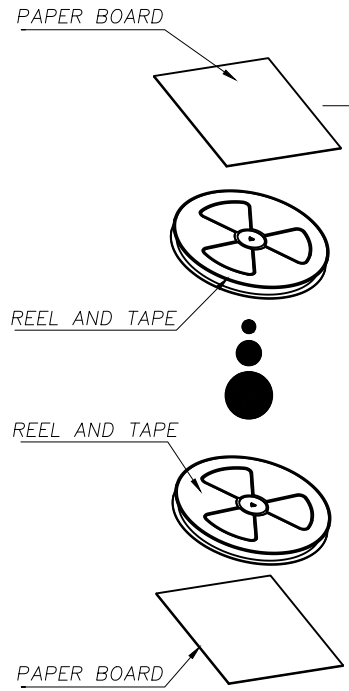
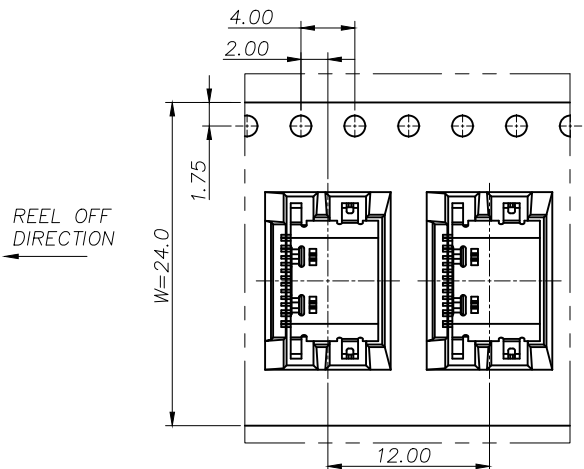
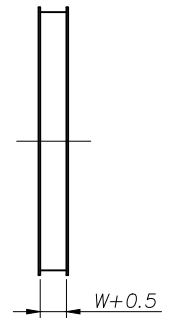
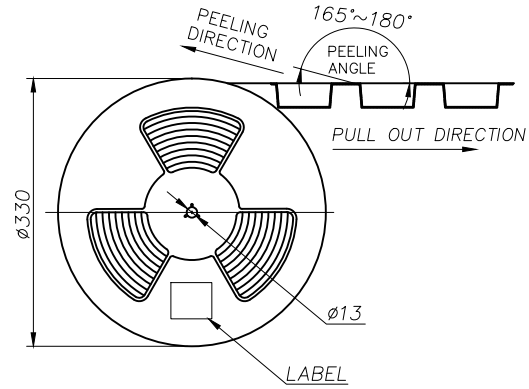
For technical support, please send an email to support@vitalconn.com



REV:	ECN. NO.	NAME	DATE



SEE DETAIL X



	REEL	CARTON
CONNECTOR (PCS)	1400	14000

TOLERANCE X.X ±0.30 X.° ±10° .XX ±0.20 .X.° ±8° .XXX ±0.10 .XX° ±5° UNITS mm		VITALCON a vital connector company		FOR YOUR VITAL CONNECTION	
TITLE:		USB CF 16PIN (L=6.5)MID MOUNT 2.1MM			
DRAWN BY: Zou Long		PART NO: UC22-4E1H1A103-0HR-02		REV: A	
CHECKED BY: Bob		SIZE: A4		UNIT:mm	
APPROVED BY: QPF		PROJECTION		SHEET:3 OF 3	
				FCN: F9	
				http://www.vitalconn.com	

For technical support, please send an email to support@vitalconn.com