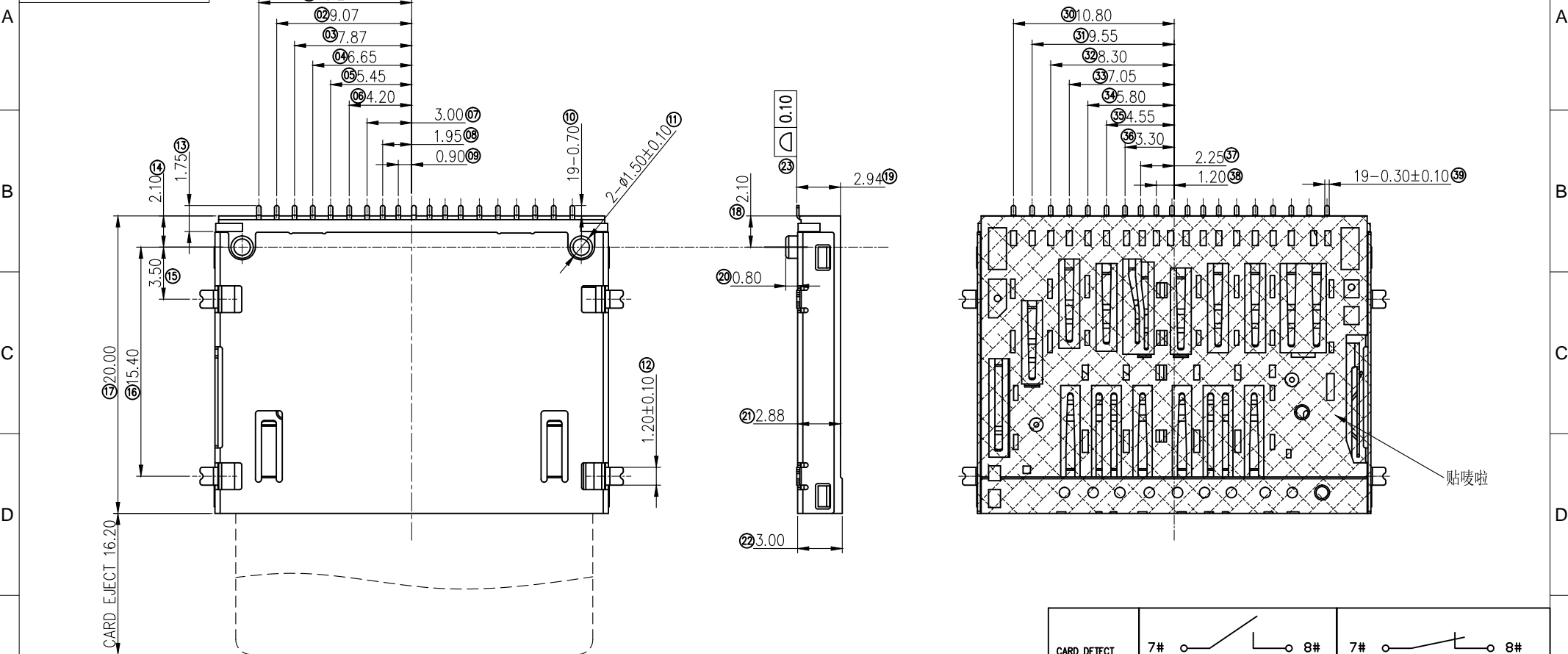




REV:	ECN. NO.	NAME	DATE



CARD DETECT	7# 8#	CARD OUT	7# 8#	CARD INSERT
WRITE PROTECT	19# GND	WRITE PROTECTED	19# GND#	WRITE ENABLE

MILLIMETERS	INCH
X°. ±2°	X°. ±2°
.X ±0.30	.XX ±0.012
.XX ±0.20	.XX ±0.008
.XXX ±0.10	.XXX ±0.004



FOR YOUR VITAL CONNECTION

TITLE:	SD 4.0 NO PUSH CONN.(板下)				
DRAWN BY:	Zou Long	PART NO:	VTC402012992	REV: A	
CHECKED BY:	Bob	SIZE: A4	UNIT:mm	SHEET:1 OF 3	FCN: E1
APPROVED BY:	QPF	PROJECTION		http://www.vitalconn.com	

For technical support, please send an email to support@vitalconn.com



Specification

REV:	ECN. NO.	NAME	DATE

Material

Housing: LCP 30%GF. UL94V-0, Black
 Contact Terminal: Phosphor Bronze. T=0.15mm
 Shell: Brass, T=0.20mm

Plating:

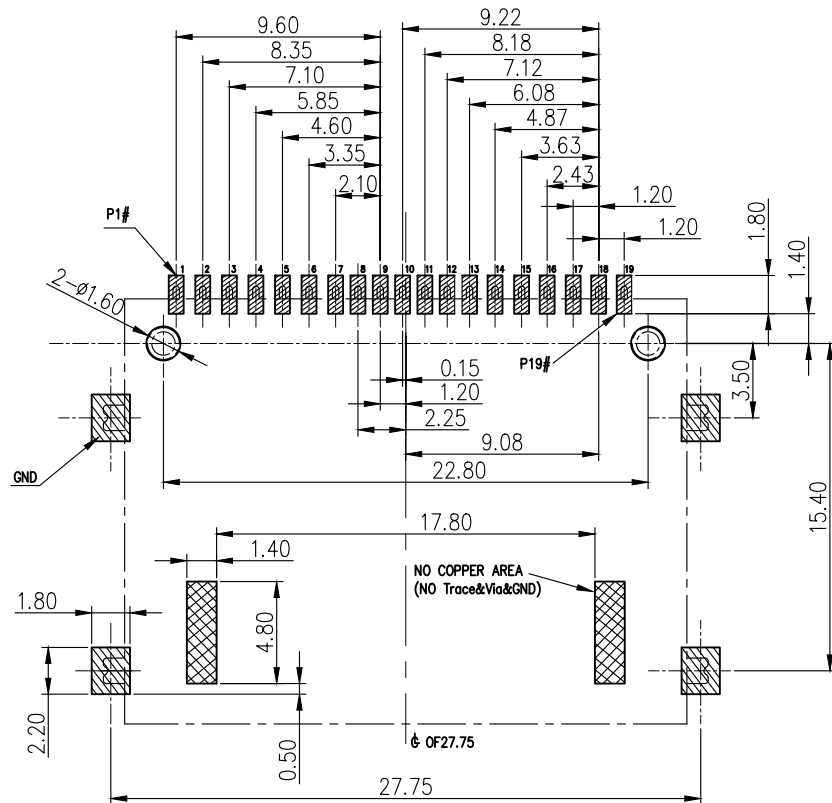
Contact Terminal
 Contact Area: Gold Flash
 Solder area: Tin 80u" min.
 Underplating: Ni overall 30u" min.
 Shell: Ni overall 30u" min.

Electrical

Voltage Rating: 30V
 Current Rating: 0.5A
 Dielectric Withstanding Voltage: 100V AC (60 Sec min.)
 Insulation Resistance: 1000 MΩ min.
 Contact Resistance: 100 mΩ max.

Mechanical & Environmental

Operating Temperature: -40°C to +85°C
 Durability: 5000 cycles



RECOMMENDED PCB LAYOUT
 TOLERANCE UNLESS OTHERWISE IS ±0.05

- : KEEP OUT AREA
- : PAD AREA
- : NO COPPER AREA (NO Trace&Via&GND)
- : GND PATTERN ONLY

P#.	PIN#.	Pin Assignment					
		SD MODE			UHS-II MODE		
		NAME	TYPE	DESCRIPTION	NAME	TYPE	DESCRIPTION
P1	PIN10	---		NOT USED	VSS3	S	SUPPLY VOLTAGE GROUND
P2	PIN9	DATA3	I/O/PP	DATA LINE BIT2	---		
P3	PIN11	---		NOT USED	DO+	LVDS	
P4	PIN1	CD/DATA3	I/O/PP	CARD DETECT/DATA LINE BIT3	---		NOT USED
P5	PIN12	---		NOT USED	DO-	LVDS	
P6	PIN2	CMD	PP	COMMAND/RESPONSE	---		NOT USED
P7	CD PIN	CD		CARD DETECT	CD PIN	CD	CARD DETECT
P8	PIN3	VSS1	S	SUPPLY VOLTAGE GROUND	VSS1	S	SUPPLY VOLTAGE GROUND
P9	PIN13	---		NOT USED	VSS4	S	SUPPLY VOLTAGE GROUND
P10	PIN14	---		NOT USED	VDD2	S	SUPPLY VOLTAGE (1.8V)
P11	PIN4	VDD	S	SUPPLY VOLTAGE	VDD1	S	SUPPLY VOLTAGE (3.3V)
P12	PIN15	---		NOT USED	D1-	LVDS	
P13	PIN5	CLK	I	CLOCK	---		NOT USED
P14	PIN16	---		NOT USED	D1+	LVDS	
P15	PIN6	VSS2	S	SUPPLY VOLTAGE GROUND	VSS2	S	SUPPLY VOLTAGE GROUND
P16	PIN17	---		NOT USED	VSS5	S	SUPPLY VOLTAGE GROUND
P17	PIN7	DATO	I/O/PP	DATA LINE BIT0	RCLK-	I	
P18	PIN8	DATI	I/O/PP	DATA LINE BIT1	RCLK+	I	
P19	WP PIN	WP		WRITE PROTECT	WP		WRITE PROTECT

MILLIMETERS	INCH
X°. ± 2°	X°. ± 2°
.X ± 0.30	.XX ± 0.012
.XX ± 0.20	.XX ± 0.008
.XXX ± 0.10	.XXX ± 0.004

FOR YOUR VITAL CONNECTION

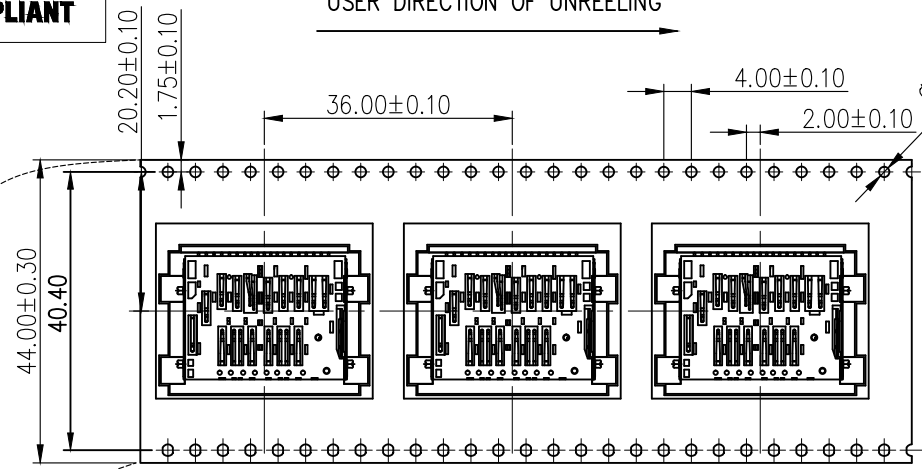
TITLE:		SD 4.0 NO PUSH CONN.(板下)	
DRAWN BY:	Zou Long	PART NO:	VTC402012992
CHECKED BY:	Bob	SIZE: A4	UNIT:mm
APPROVED BY:	QPF	PROJECTION	
REV: A		SHEET: 2 OF 3	FCN: E1
http://www.vitalconn.com			

For technical support, please send an email to support@vitalconn.com



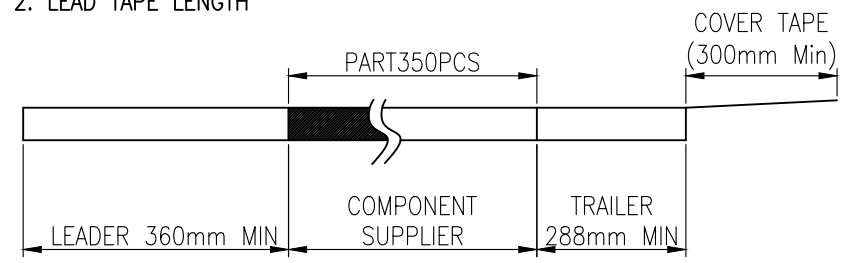
REV:	ECN. NO.	NAME	DATE

USER DIRECTION OF UNREELING



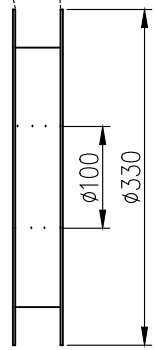
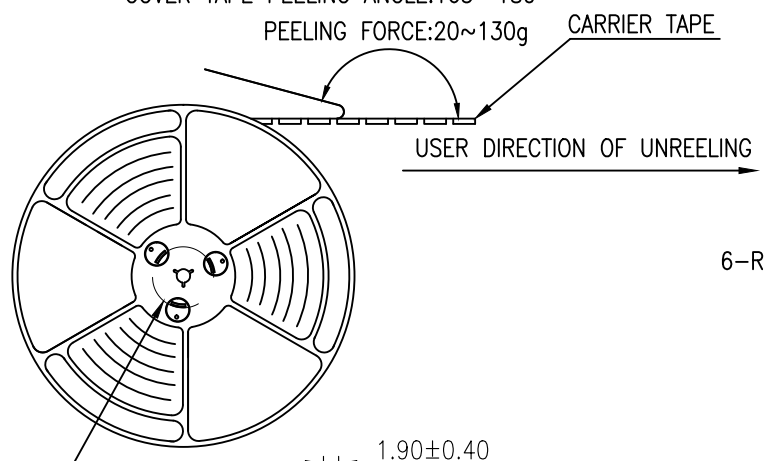
NOTES

1. NUMBER OF CONNECTORS: 350PCS/REEL
2. LEAD TAPE LENGTH

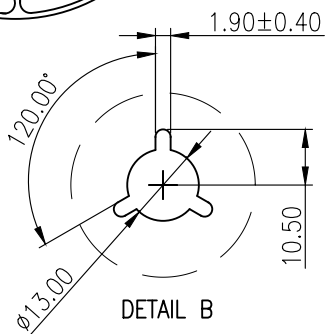


3. QUANTITY: 2100PCS/CARTON

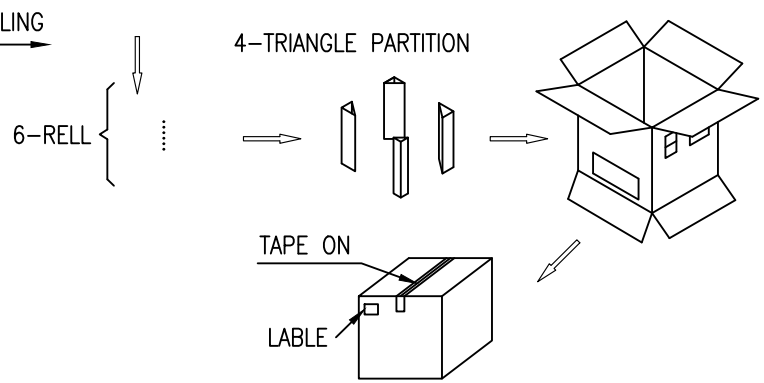
COVER TAPE PEELING ANGLE: 165°~180°
PEELING FORCE: 20~130g



DETAIL B



DETAIL B



MILLIMETERS	INCH
X°. ± 2°	X°. ± 2°
.X ± 0.30	.XX ± 0.012
.XX ± 0.20	.XX ± 0.008
.XXX ± 0.10	.XXX ± 0.004



FOR YOUR VITAL CONNECTION

TITLE:	SD 4.0 NO PUSH CONN.(板下)		
DRAWN BY:	Zou Long	PART NO:	VTC402012992
CHECKED BY:	Bob	SIZE: A4	UNIT:mm
APPROVED BY:	QPF	PROJECTION	SHEET:3 OF 3
FCN: E1		http://www.vitalconn.com	

For technical support, please send an email to support@vitalconn.com