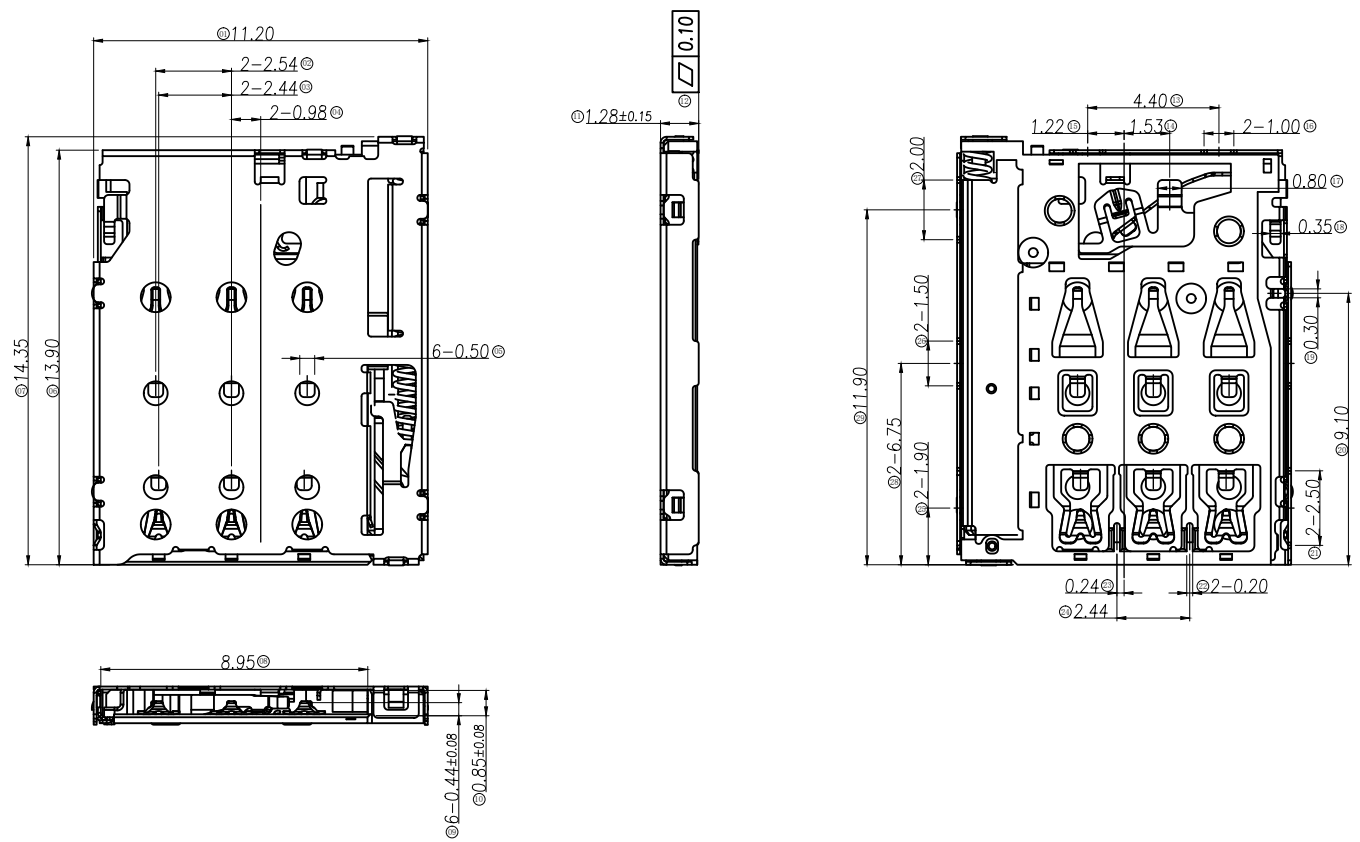
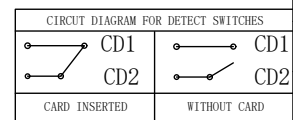


7		8	
REV:	ECN. NO.	NAME	DATE


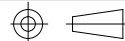


Notes:

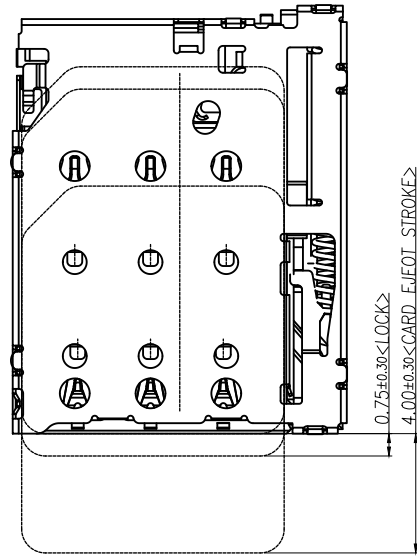
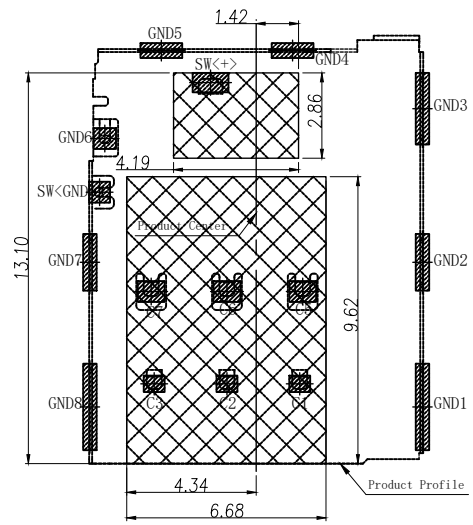
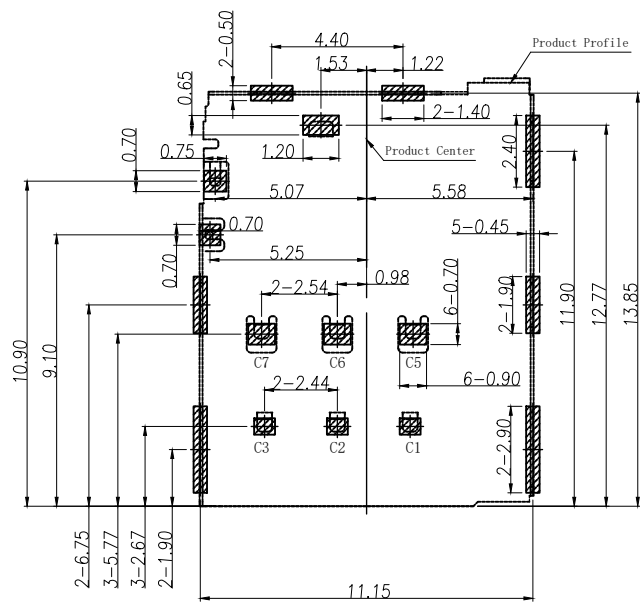
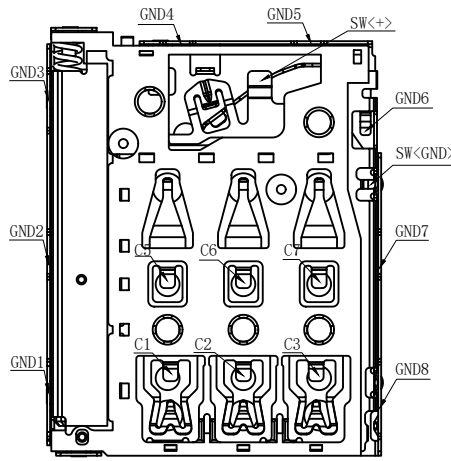
- Material:
Housing:LCP UL94V-0 Black
Terminal:Phosphor Bronze T=0.10
Cover: SUS304 T=0.10
- Plating:
Terminal:50u" Ni Underplated Overall
Contact Area:Gold Falsh
Solder Area:Gold Falsh
Cover:30u" Ni Underplated Overall
Contact Area:Gold Flash
- Technical Speciality:
Rated Voltage: 30V
Current Rating: 0.5A
Insulation Resistance:1000MΩ Min.
Contact Resistance:100mΩ Max.
Withstanding Voltage: 500V DC For 1 Minutes.
Operating Temperature: -40℃~+85℃ Humidity 80% R.H Max.



RoHS Compliant

MILLIMETERS X.° ± 2° .X ± 0.30 .XX ± 0.20 .XXX ± 0.10	INCH X.° ± 2° .X ± 0.012 .XX ± 0.008 .XXX ± 0.004	 VITALCONN a vital connector company		FOR YOUR VITAL CONNECTION	
DRAWN BY: Zou Long		TITLE:	NANO SIM 6PIN H1.25 Push Push成品无镭射		
CHECKED BY: Bob		PART NO:	VTC102322824	REV: A	
APPROVED BY: QPF		SIZE: A4	UNIT:mm	SHEET:1 OF 3	FCN: E1
		PROJECTION		http://www.vitalconn.com	

REV:	ECN. NO.	NAME	DATE



RECOMMENDED PCB LAYOUT<TOLERANCE: ±0.05>

RECOMMENDED MATAL MASK T=0.12MM

- SMT SOLDER AREA
- COPPER RESTRICTED AREA
 1. TOUCH AREA OF CONTACT TIPS NO ELECTRICAL FUNCTION
 2. NO FIRST PCB_LAYOUT CIRCUITS IN THE AREA

RoHS Compliant

PIN/NO	ASSIGNMENT
C1	VCC
C2	RST
C3	CLK
CD	Detect Switch
C5	GND
C6	VPP
C7	I/O

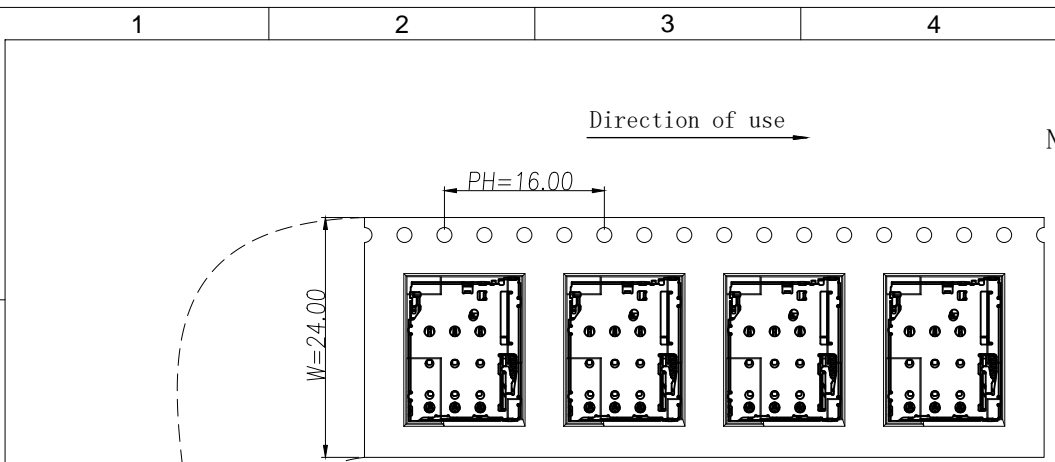
MILLIMETERS	INCH
X.° ± 2°	X.° ± 2°
.X ± 0.30	.X ± 0.012
.XX ± 0.20	.XX ± 0.008
.XXX ± 0.10	.XXX ± 0.004

DRAWN BY:	Zou Long
CHECKED BY:	Bob
APPROVED BY:	QPF

 VITALCONN <small>a vital connector company</small>		FOR YOUR VITAL CONNECTION	
		NANO SIM 6PIN H1.25 Push Push成品无镭射	
TITLE:	PART NO:		REV: A
DRAWN BY:		UNIT:mm	SHEET:2 OF 3 FCN: E1
CHECKED BY:		PROJECTION	http://www.vitalconn.com
APPROVED BY:		http://www.vitalconn.com	

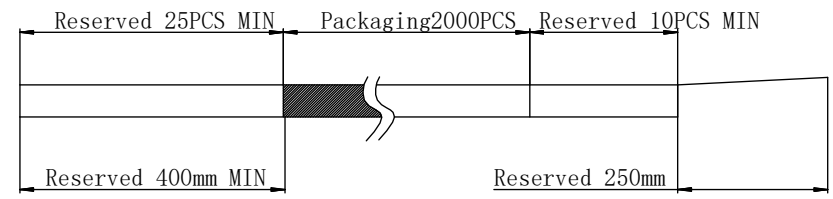
7		8	
REV:	ECN. NO.	NAME	DATE

A
B
C
D
E
F

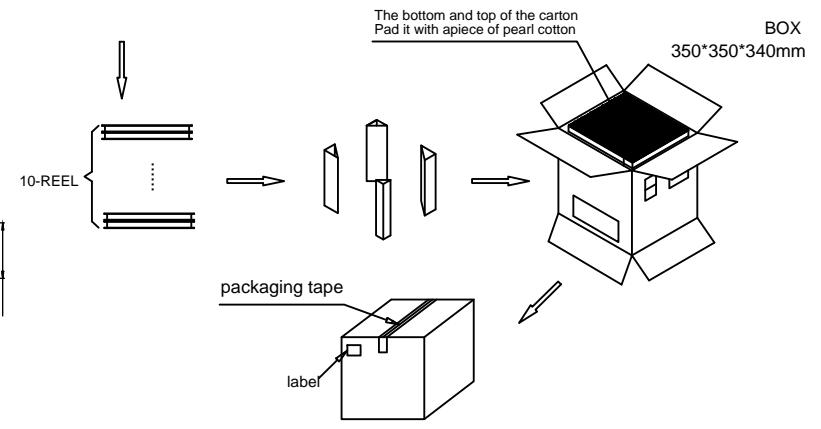
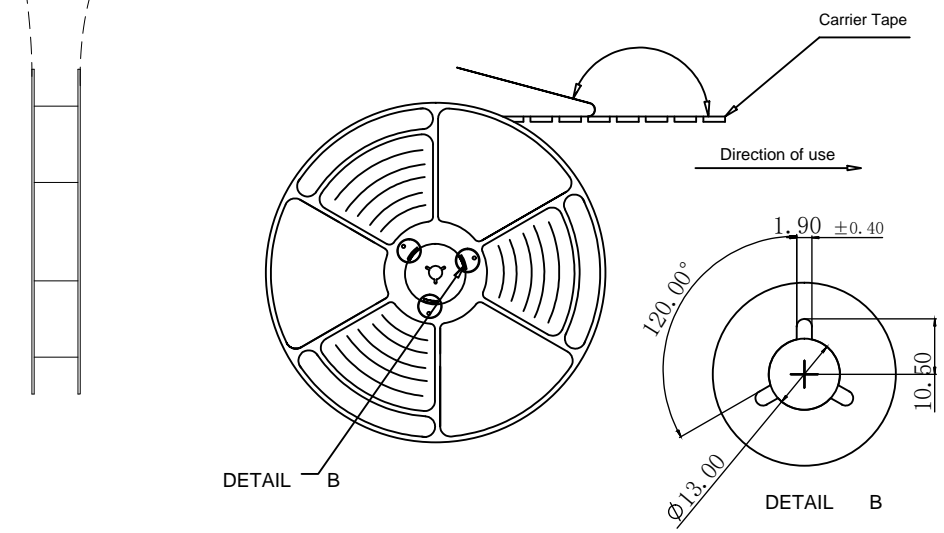


NOTES:

- 1、Packing quantity per plate: 2000PCS/Plate
- 2、Loading and packing method


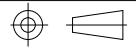


3、Total packaging:20000PCS/Box



RoHS Compliant

Part Number	Description	Quantity
303020114	Carrier band (Lucent, PS W=24 PH=16,T=0.3)	325.6m
303040009	Box (K=K,T=7.0,350*350*340)	1PCS
303060001	PE Bag (T=0.08mm, 730*760*730)	1PCS
303070024	Self-adhesive (W=21.30)	331.2m
303110001	Beam (K=K, T=7.0,95*95*290)	4PCS
303130001	Pearl Wool (340*340*18)	2PCS
303180017	REEL (BLUE, 13Inches*24mm, φ330)	10PCS
VTC102322824	1.25H Push-Push Nano-SIM Card<NS003-000>	20000PCS

MILLIMETERS X.° ± 2° .X ± 0.30 .XX ± 0.20 .XXX ± 0.10	INCH X.° ± 2° .X ± 0.012 .XX ± 0.008 .XXX ± 0.004	 <p>VITALCON a vital connector company</p>	FOR YOUR VITAL CONNECTION	
DRAWN BY: Zou Long			TITLE: NANO SIM 6PIN H1.25 Push Push成品无镭射	REV: A
CHECKED BY: Bob		PART NO: VTC102322824	UNIT:mm	SHEET:3 OF 3 FCN: E1
APPROVED BY: QPF		PROJECTION	 http://www.vitalconn.com	

1 2 3 4 5 6 7 8