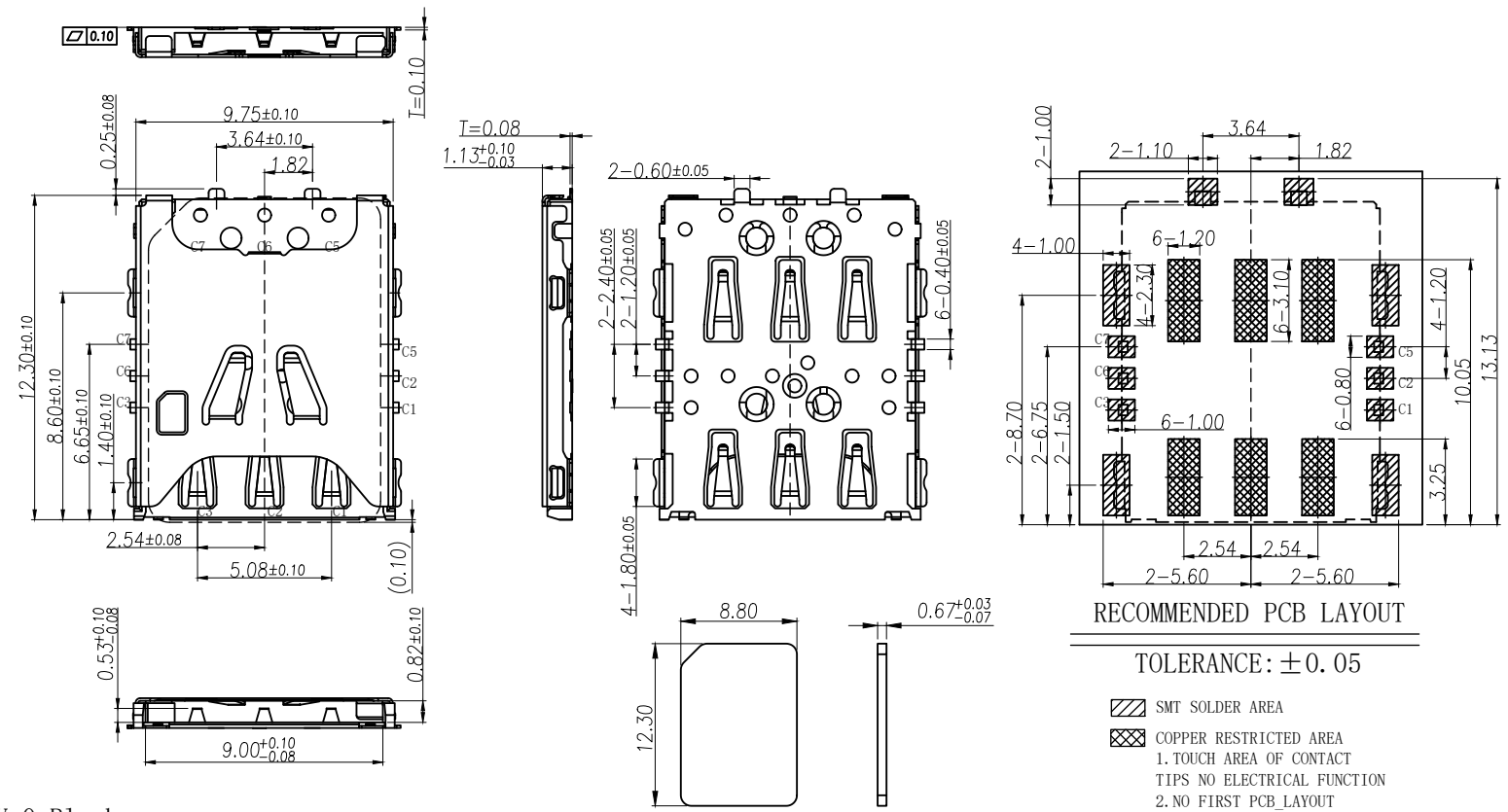


7		8	
REV:	ECN. NO.	NAME	DATE



NOTES:

- MATERIAL:  
HOUSING:LCP UL94V-0 Black  
Terminal:Phosphor Bronze T=0.08  
Cover:SUS304 T=0.10
- PLATING:  
Terminal:50u" Ni UNDERPLATED OVERALL  
G/F PLATED ON CONTACT AREA AND SOLDER AREA  
Cover:50u" Ni UNDERPLATED OVERALL
- TECHNICAL SPECIALITY:  
RATED VOLTAGE:30VACMAX.  
CURRENT RATING:0.5AMAX.  
INSULATION RESISTANCE:1000MΩ MIN  
CONTACT REISTANCE:100mΩ MAX  
WITHSTANDING VOLTAGE:500VACFOR1MINUTES  
OPERATING TEMPERATURE:-40℃~+85℃ Humidity80%R. HMAX

PIIN/NO	ASSIGNMENT
C1	VCC
C2	RST
C3	CLK
C5	GND
C6	VPP
C7	I/O

MILLIMETERS X.° ± 2° .X ± 0.30 .XX ± 0.20 .XXX ± 0.10	INCH X.° ± 2° .X ± 0.012 .XX ± 0.008 .XXX ± 0.004
DRAWN BY: Zou Long	CHECKED BY: Bob
APPROVED BY: QPF	

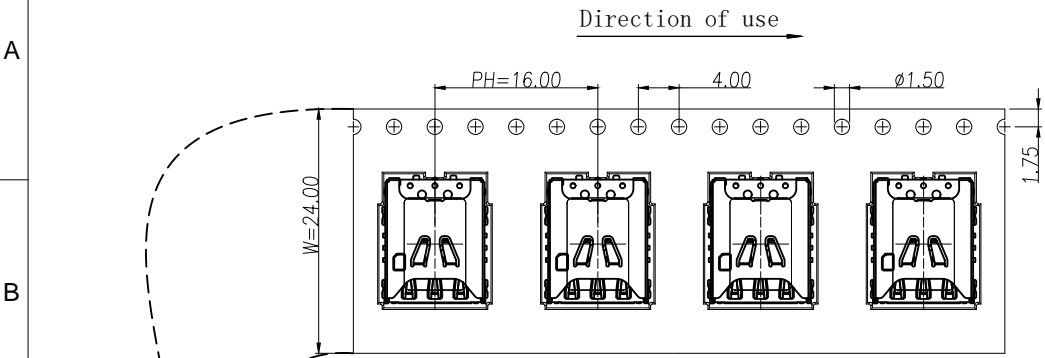


FOR YOUR VITAL CONNECTION

TITLE: 1.13H NO-PUSH N-SIM卡座	
PART NO: VTC102315213	REV: A
SIZE: A4	UNIT:mm SHEET:1 OF 2 FCN: E1
PROJECTION	http://www.vitalconn.com

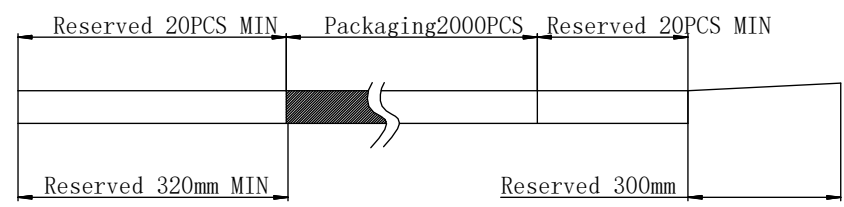
# RoHS Compliant

7		8	
REV:	ECN. NO.	NAME	DATE

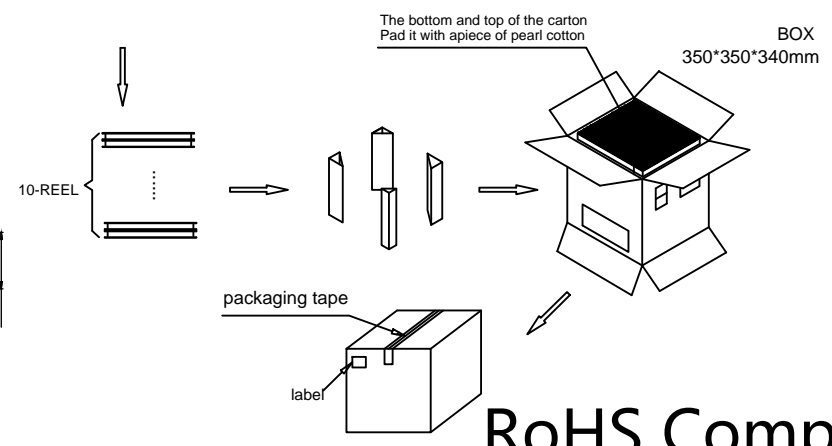
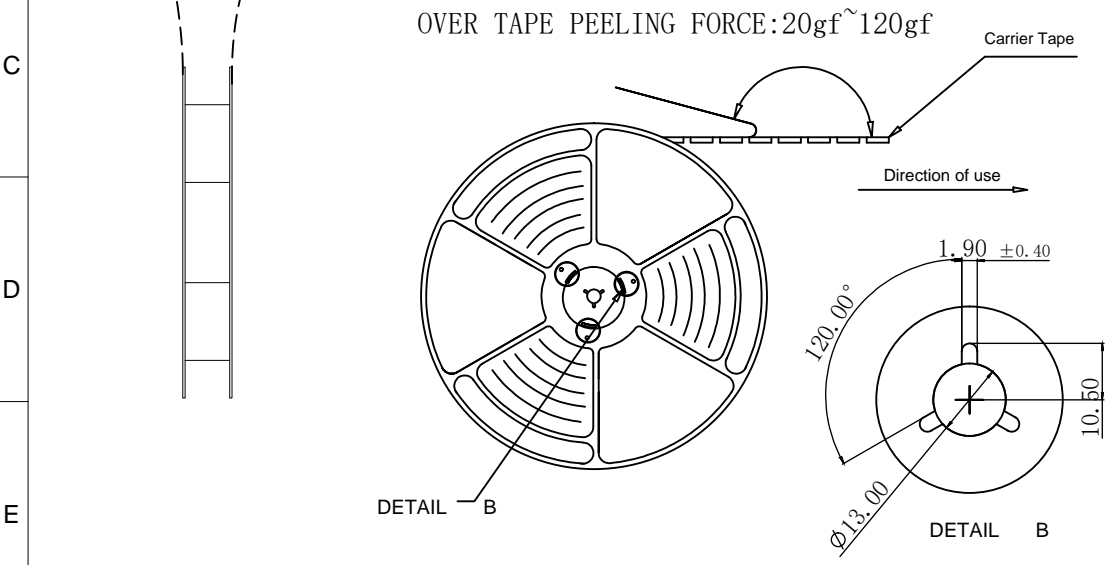


NOTES:

- 1、Packing quantity per plate: 2000PCS/Plate
- 2、Loading and packing method



- 3、Total packaging:20000PCS/Box



**RoHS Compliant**

Part Number	Description	Quantity
303020176	Carrierband Lucent PET W=24 PH=16,T=0.3	326.4m
303040009	Box K=K,T=7.0,350*350*340	1PCS
303060001	PE Bag T=0.08mm 730*760*730	1PCS
303070024	Self-adhesive W=21.30	329.4m
303110001	Beam K=K T=7.0,95*95*290	4PCS
303130001	Pearl Wool 340*340*18	2PCS
303180017	REEL BLUE 13Inches*24mm ø330	10PCS
VTC102315212	1.13H No-Push Nano-SIM Card<NS008-000>	20000PCS

MILLIMETERS X.° ± 2° .X ± 0.30 .XX ± 0.20 .XXX ± 0.10	INCH X.° ± 2° .X ± 0.012 .XX ± 0.008 .XXX ± 0.004	<b>VITALCONN</b> a vital connector company	FOR YOUR VITAL CONNECTION	
DRAWN BY: Zou Long		TITLE:	1.13H NO-PUSH N-SIM卡座	
CHECKED BY: Bob		PART NO:	VTC102315213	REV: A
APPROVED BY: QPF		SIZE: A4	UNIT:mm	SHEET:2 OF 2 FCN: E1
		PROJECTION		<a href="http://www.vitalconn.com">http://www.vitalconn.com</a>