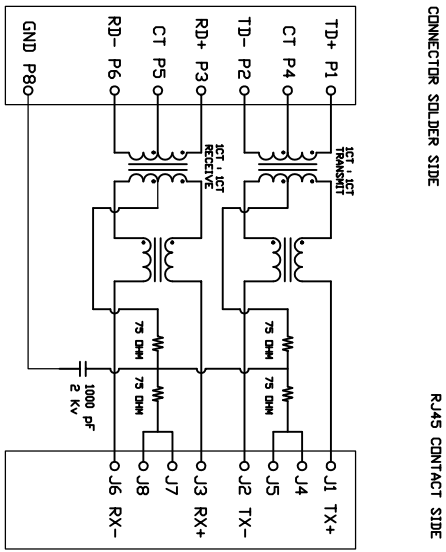


REV:	ECN. NO.	NAME	DATE

4. ELECTRICAL CHARACTERISTICS :



CONNECTOR SOLDER SIDE

RJ45 CONTACT SIDE

3. SCHEMATIC:

TEST NOTES:(25±5°C)
 1.TR:(100KHZ,0.1V)
 INPUT TO OUTPUT=1:1±3%

2.LX:(100KHZ,100mV,8mA, DC Bias)
 350uH MINIMUM

3.DCR:
 1.2 OHMS MAXIMUM

4.HIPOT:
 INPUT TO OUTPUT=1500VAC FOR 60 SECONDS

5.INSERTION LOSS:
 -1.0dB MAXIMUM AT 0.3MHZ TO 100MHZ

6.RETURN LOSS:
 -20dB MINIMUM AT 1MHZ TO 30MHZ,
 -15dB MINIMUM AT 30MHZ TO 60MHZ
 -10dB MINIMUM AT 60MHZ TO 80MHZ

7.CROSS TALK:
 -30dB MINIMUM AT 1MHZ TO 100MHZ
 -30dB MINIMUM AT 1MHZ TO 100MHZ

8.COMMON TO COMMON MODE REJECTION:
 -30dB MINIMUM AT 1MHZ TO 100MHZ

ROHS Compliant



FOR YOUR VITAL CONNECTION

TOLERANCE UNSPECIFIED	TITLE:		RJ45 Connectors, W/D LED , 8P, 8C, 100 Mbps /FILTER	
.0	±0.38	PART NO:		J11EH4003UPF1
.00	±0.25	UNIT:mm		
.000	±0.10	SHEET: 2 OF 2		FCN: F1
ANGLE ±3.00°		REV: A		
MANUFACTURING COPY		http://www.vitalconm.com		

DRAWN BY:	QSY	PROJECTION	
-----------	-----	------------	--

CHECKED BY:	VIT	UNIT:mm	
-------------	-----	---------	--

APPROVED BY:	QPF		
--------------	-----	--	--

For technical support, please send an email to support@vitalconm.com