

Waterproof Product Series Introduction

Waterproof connectors are designed for applications requiring reliable and secure connections in wet or submerged environments, thus avoiding leakage into or out of devices.

Vitalconn Electronics has developed, manufactured a series of waterproof products as below to maintain your devices connectivity's reliability in the long term from rain, mud, intense water jets to salty mist environment etc.

- Waterproof Cat6 RJ45 Coupler
- Screw Locking Waterproof RJ45 Coupler(180 Deg.) with Cap
- Screw Locking Waterproof RJ45 Coupler with Cap
- Screw Locking Waterproof Type-C Coupler with Cap
- Screw Locking Waterproof USB 3.0 Coupler with Cap
- Quick Locking Waterproof Cable Side with Cable & Plug
- Screw Locking Waterproof USB 2.0 with Plug
- Screw Locking Waterproof Cable Assembly

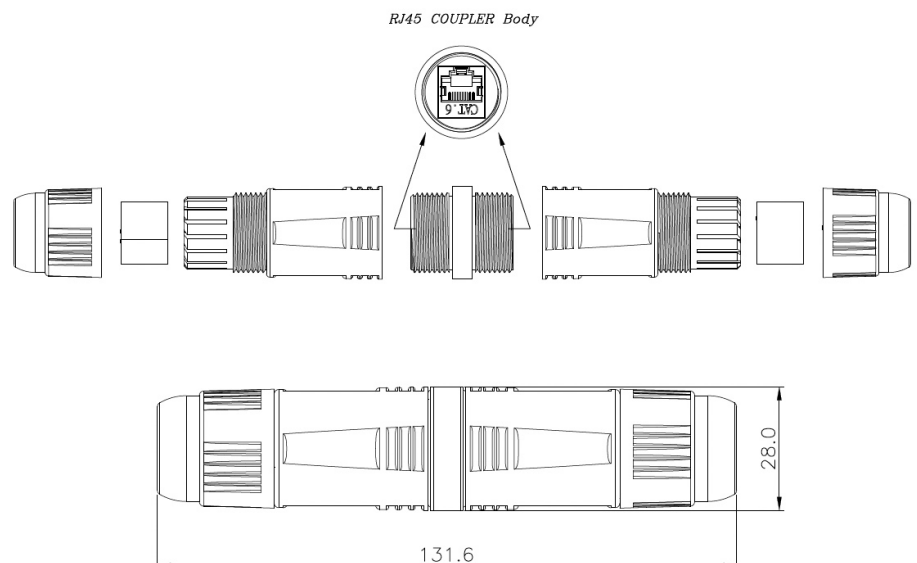


Waterproof Cat6 RJ45 Coupler

Materials:

- **Plastic Housing:** Engineering Thermoplastic Flammability Rating UL 94V-0.
- **Contacts:** Phosphor Bronze
- **Plating:** Gold Plating Over Nickel in Contact
- **Nut:** Engineering Thermoplastic Flammability Rating UL 94V-0
- **Gasket:** Silicone

Mechanical



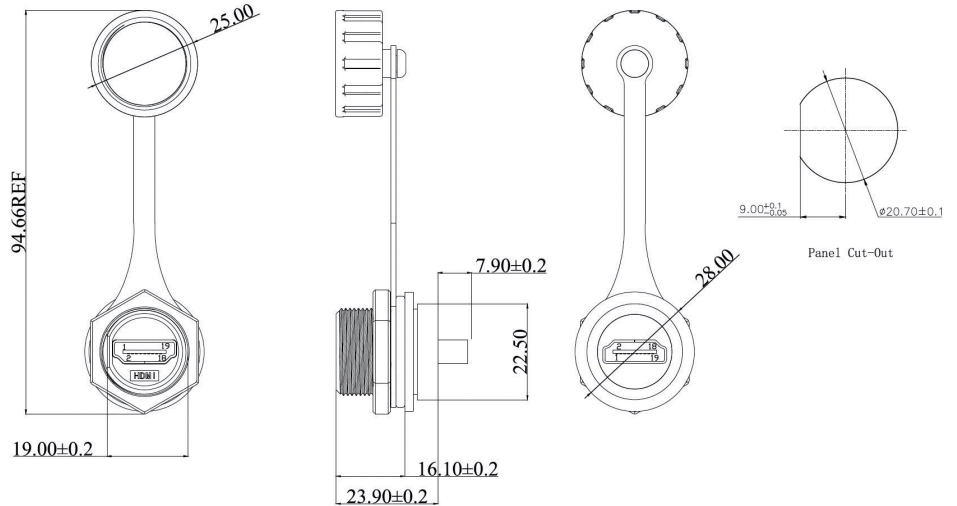
Ordering Info

VWP99-230614BF3

Screw Locking Waterproof HDMI Coupler with Cap

Materials:

- **Plastic Housing:** Engineering Thermoplastic Flammability Rating UL 94V-0.
- **Contacts:** Phosphor Bronze
- **Plating:** Gold Plating Over Nickel in Contact
- **Nut:** Engineering Thermoplastic Flammability Rating UL 94V-0
- **Gasket:** Silicone



Mechanical

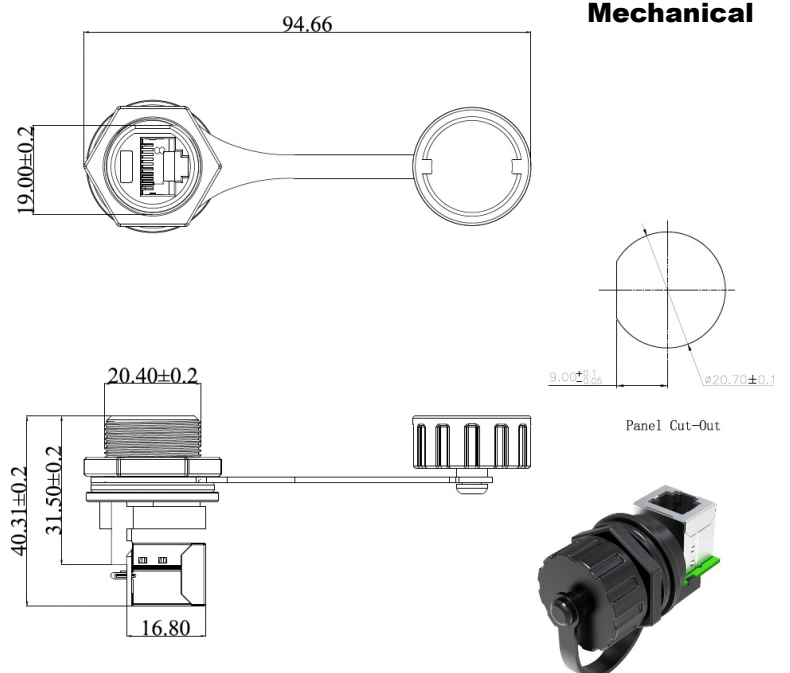
Ordering Info

VWP99-230614BF3

Screw Locking Waterproof RJ45 Coupler(180 Deg.) with Cap

Materials:

- **Plastic Housing:** Engineering Thermoplastic Flammability Rating UL 94V-0.
- **Contacts:** Phosphor Bronze
- **Plating:** Gold Plating Over Nickel in Contact
- **Nut:** Engineering Thermoplastic Flammability Rating UL 94V-0
- **Gasket:** Silicone



Mechanical

Ordering Info

VWPTM-220728EF3

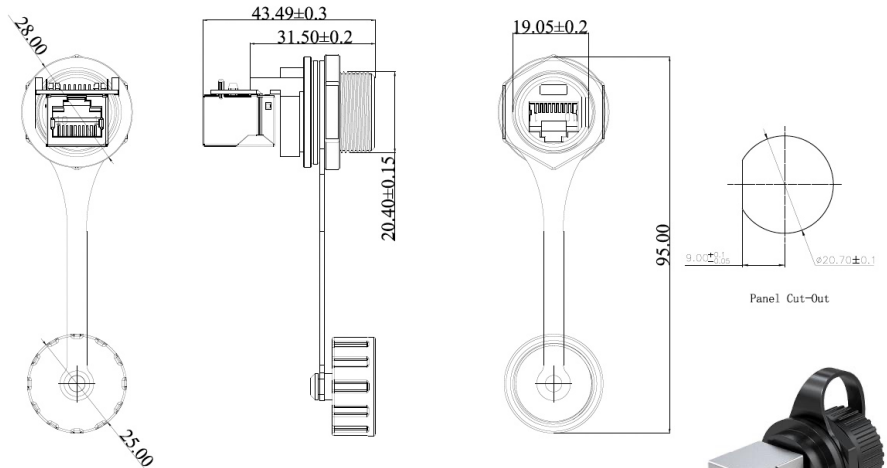
Screw Locking Waterproof RJ45 Coupler with Cap

Materials:

- **Plastic Housing:** Engineering Thermoplastic Flammability Rating UL 94V-0.
- **Contacts:** Phosphor Bronze
- **Plating:** Gold Plating Over Nickel in Contact
- **Nut:** Engineering Thermoplastic Flammability Rating UL 94V-0
- **Gasket:** Silicone

Ordering Info

VWPTM-220330F3



Mechanical

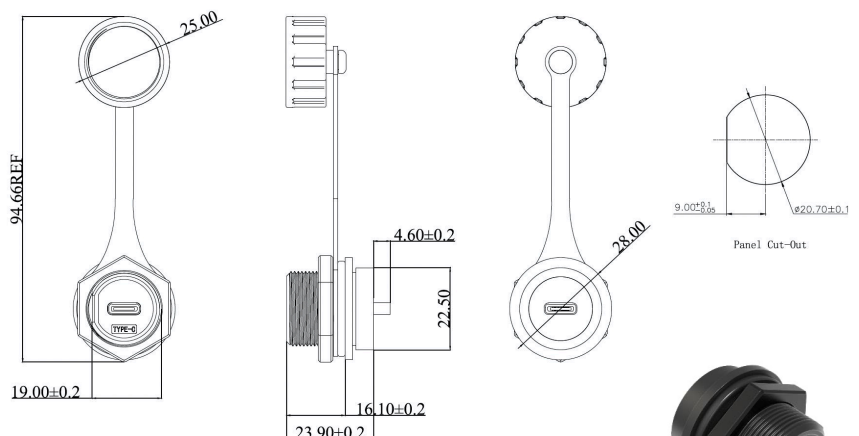
Screw Locking Waterproof Type-C Coupler with Cap

Materials:

- **Plastic Housing:** Engineering Thermoplastic Flammability Rating UL 94V-0.
- **Contacts:** Phosphor Bronze
- **Plating:** Gold Plating Over Nickel in Contact
- **Nut:** Engineering Thermoplastic Flammability Rating UL 94V-0
- **Gasket:** Silicone

Ordering Info

VWP99-221205F3



Mechanical

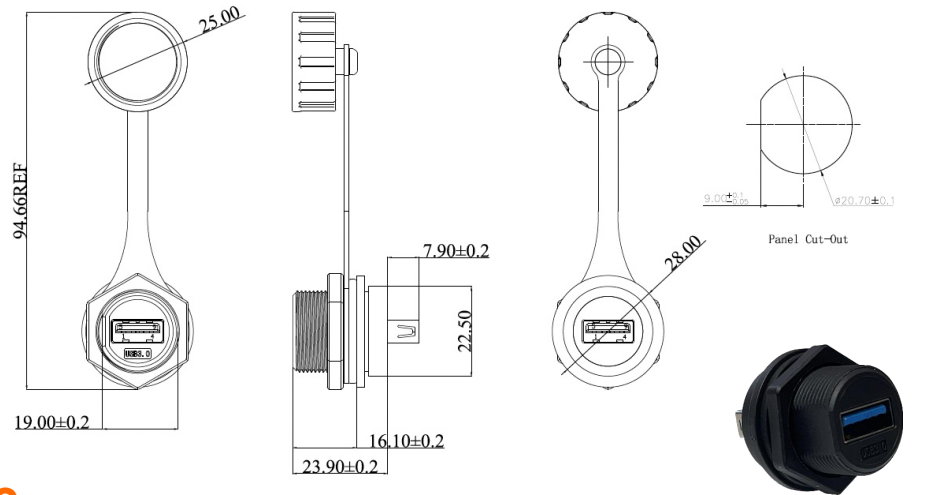
Screw Locking Waterproof USB 3.0 Coupler with Cap

Materials:

- **Plastic Housing:** Engineering Thermoplastic Flammability Rating UL 94V-0.
- **Contacts:** Phosphor Bronze
- **Plating:** Gold Plating Over Nickel in Contact
- **Nut:** Engineering Thermoplastic Flammability Rating UL 94V-0

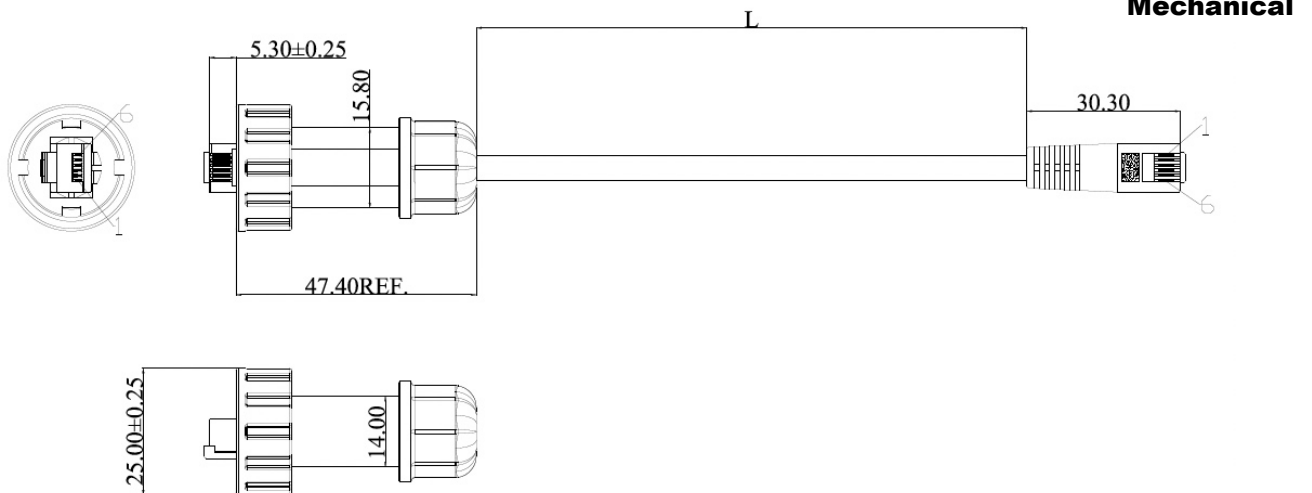
Ordering Info

VWPTM-230614AF3



Mechanical

Quick Locking Waterproof Cable Side with Cable & Plug



Mechanical

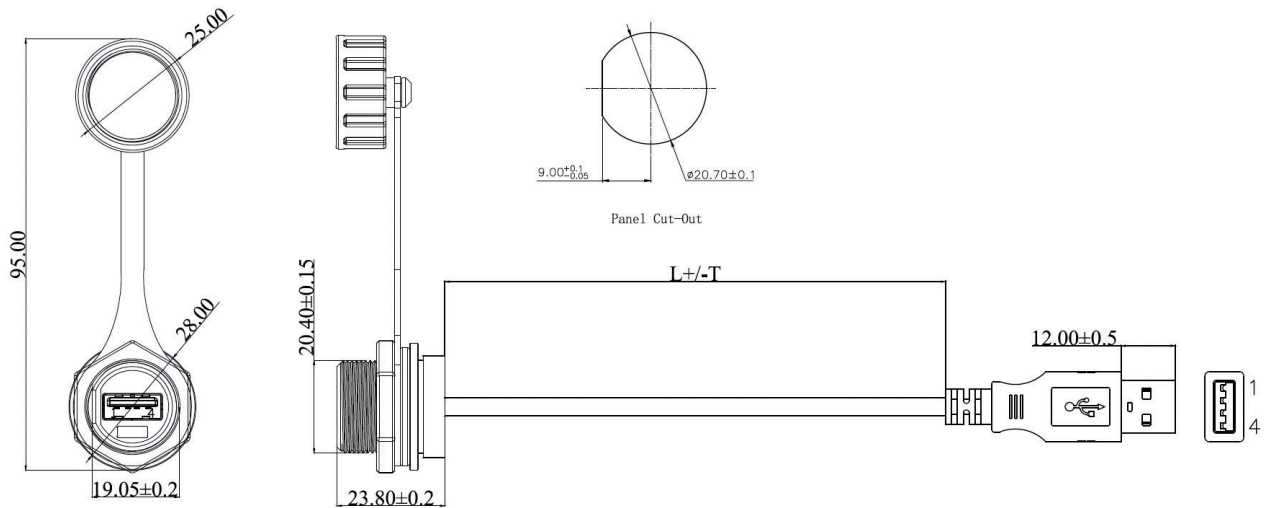
Materials:

- **Plastic Housing:** Engineering Thermoplastic Flammability Rating UL 94V-0.
- **Contacts:** Phosphor Bronze
- **Plating:** Gold Plating Over Nickel in Contact
- **Nut:** Engineering Thermoplastic Flammability Rating UL 94V-0
- **Gasket:** Silicone
- **RJ45 Plug Housing:** PC
- **RJ45 Plug Contacts:** Phosphor Bronze, Finish: Gold over Nickel
- **Cable:** Cat 5e

Ordering Info

VWPTM-22728HF3

Screw Locking Waterproof USB 2.0 with Plug



Materials:

- **Plastic Housing:** Engineering Thermoplastic Flammability Rating UL 94V-0.
- **Contacts:** Phosphor Bronze
- **Plating:** Gold Plating Over Nickel in Contact
- **Nut:** Engineering Thermoplastic Flammability Rating UL 94V-0
- **Gasket:** Silicone

Ordering Info

VWPTM-230602F3