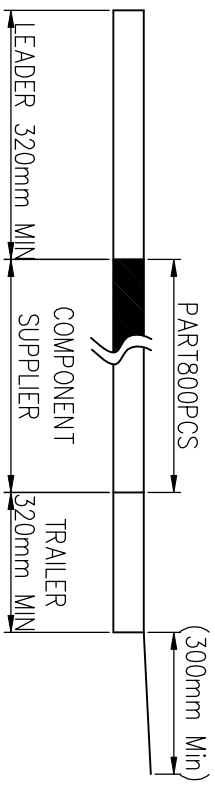
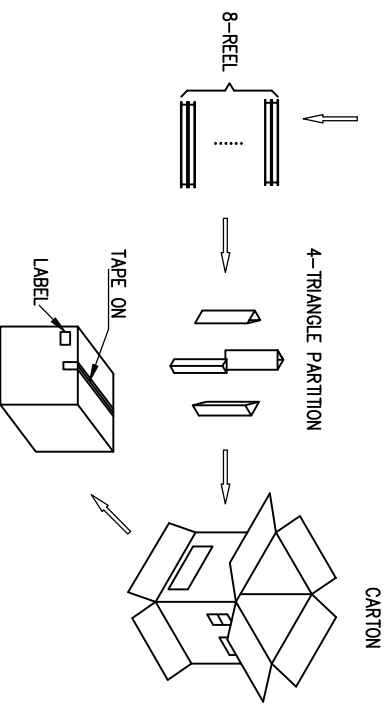
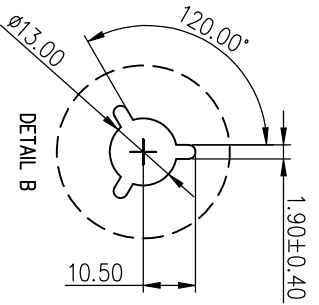
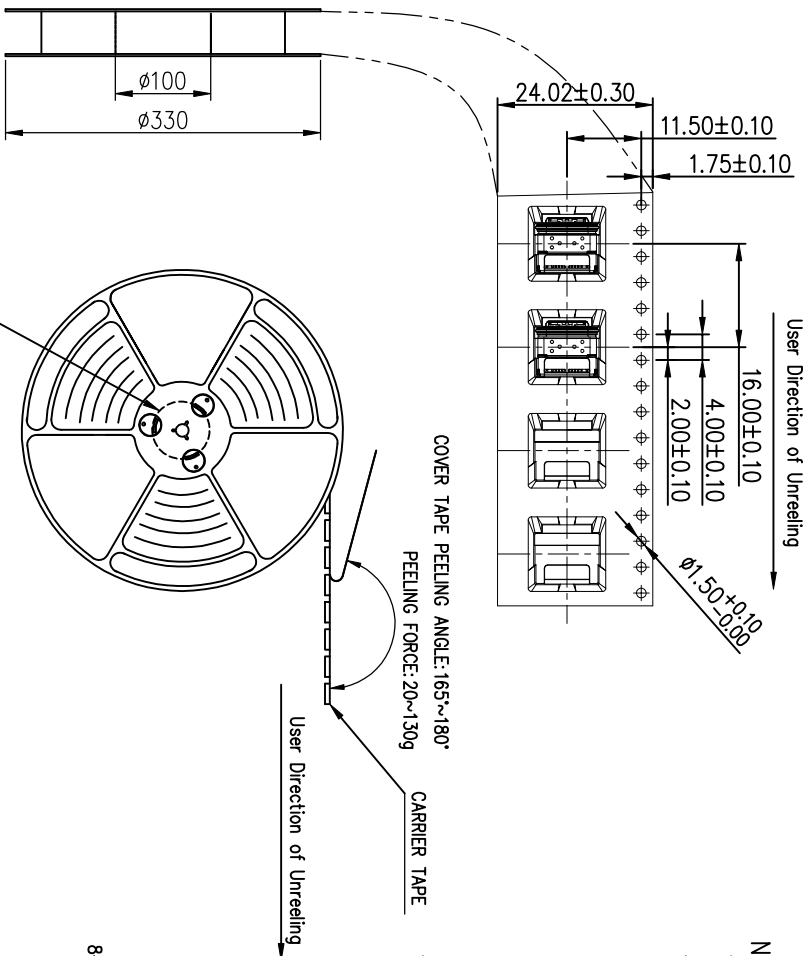


REV:	ECN. NO.	NAME	DATE

- NOTES
1. NUMBER OF CONNECTORS: 800PCS/REEL
 2. LEAD TAPE LENGTH



3. QUANTITY: 6400PCS/CARTON



ROHS Compliant



FOR YOUR
VITAL CONNECTION

TOLERANCE UNSPECIFIED
 .0
 ±0.38
 .00
 ±0.25
 .000
 ±0.10
 ANGLE ±3.00°
 MANUFACTURING COPY

TITLE: TYPE-C 24P 双排防水型母座板上型CH=1.5mm (点胶款) TP68

DRAWN BY: QSY	PART NO: U-104376562-AE1	REV: A
CHECKED BY: VIT	SIZE: A4	SHEET: 2 OF 2 FCN: E1
APPROVED BY: QPF	PROJECTION	http://www.vitalconn.com

For technical support, please send an email to support@vitalconn.com