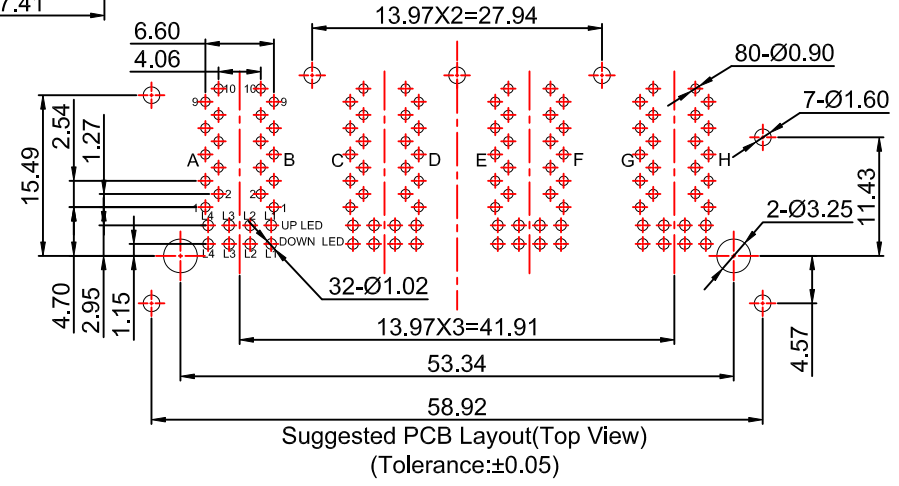
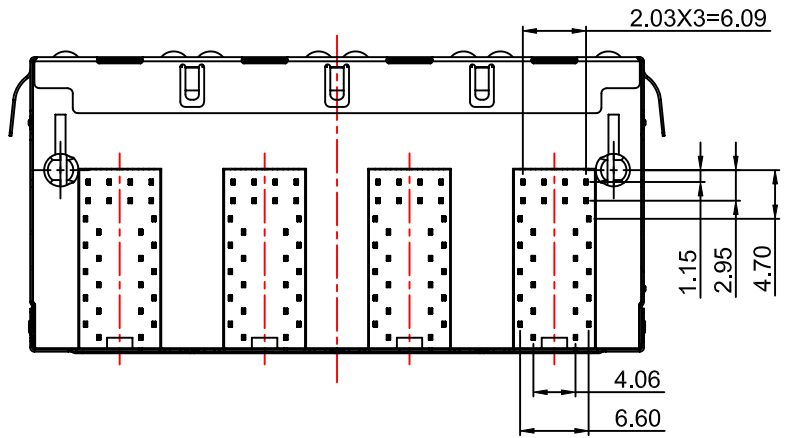
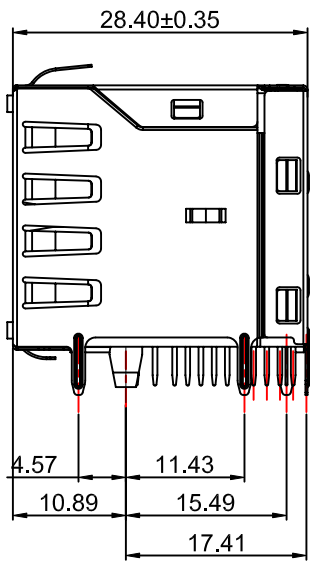
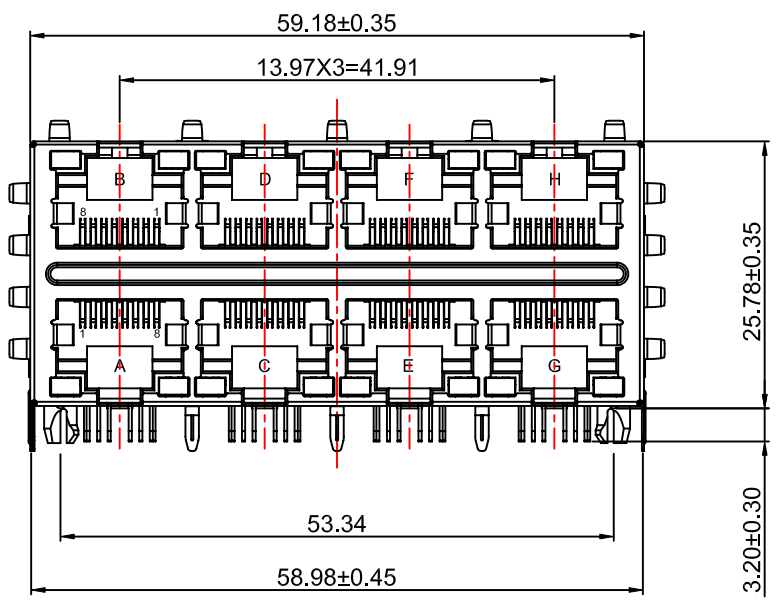


REV:	ECN. NO.	NAME	DATE

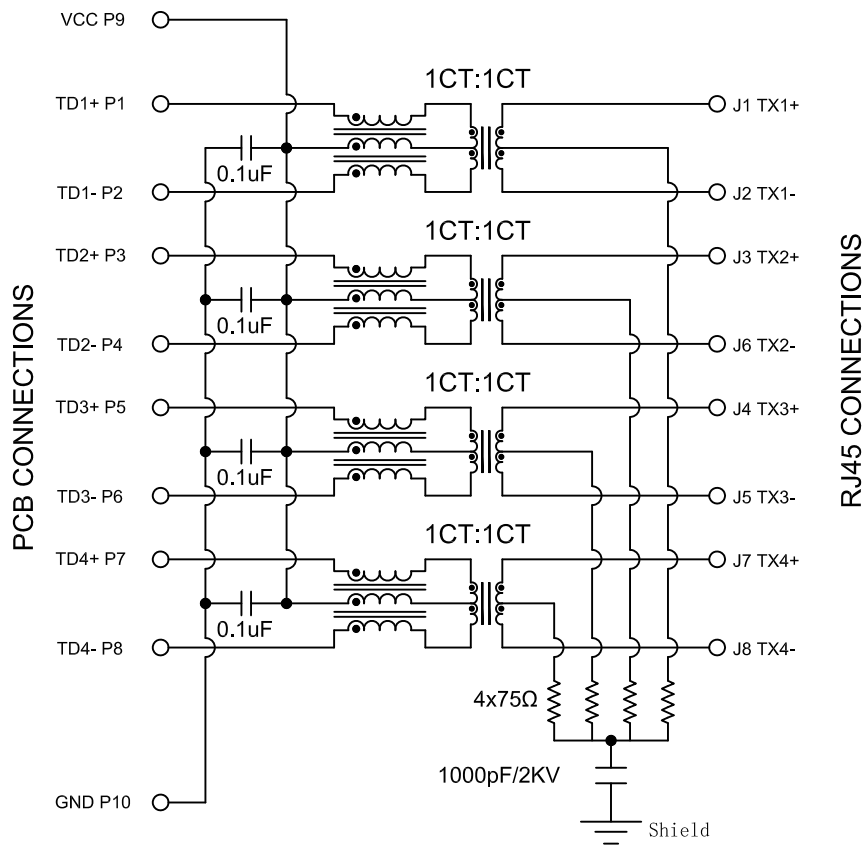


- 1.Material:
 1.1 Housing: PA46 UL94V-0 Black.
 1.2 Insert core and Cover:PA46 UL94V-0 Black.
 1.3 Contact :Phosphor Bronze,Gold plated on contact area 30u",Tin plated on solder area 80u" min, overall nickel plating 30u" min.
 1.4 Input Terminal : Brass,Tin plated on solder area 80u" min, Ni underplated overall 30u" min.
 1.5 Metal shielding:Copper alloy with Nickel plated.
 2.Environmental requirements:
 2.1 Lead-free process,compliant RoHS.

RoHS Compliant

TOLERANCE UNSPECIFIED .0 ±0.38 .00 ±0.25 .000 ±0.10 ANGLE ±3.00° MANUFACTURING COPY		VITALCONN a vital connector company		FOR YOUR VITAL CONNECTION	
DRAWN BY: Zou Long		TITLE: RJ45 2x4 Giga Base DIP Double With LED 30u" 4S		REV: A	
CHECKED BY: Bob		PART NO: J24UG27D6D4D7		SIZE: A4	
APPROVED BY: QPF		UNIT:mm		SHEET:1 OF 2	
PROJECTION				FCN: D7	
				http://www.vitalconn.com	

7		8	
REV:	ECN. NO.	NAME	DATE




- 3. Electrical Specification @25°C:**
- 3.1 Inductance: 350uH Min With 8mA DC bias.
 - 3.2 Hi-Pot Test: Input to Output 2250VDC/1mA.
 - 3.3 Insertion loss : 1-100MHZ -1dB max.
 - 3.4 Return loss : 1-30MHZ -18dB min.
30-60MHZ -16dB min.
60-80MHZ -12dB min.
80-100MHZ -10dB min.
 - 3.5 Common Mode Rejection: 1-100MHZ -30dB min.
 - 3.6 Cross Talk: 1-100MHZ -30dB min.
- 4. Operating and Storage Temperature:**
- 4.1 Operating Temperature : 0°C to +70°C.
 - 4.2 Storage Temperature : -40°C to +85°C.
- 5. Wave soldering peak temperature: 260°C.**



Emitting Color	λp(nm)	Vf@If=20mA
GREEN	565	1.8-2.5V
YELLOW	585	1.8-2.5V

RoHS Compliant

TOLERANCE UNSPECIFIED				FOR YOUR VITAL CONNECTION	
.0	±0.38			TITLE: RJ45 2x4 Giga Base DIP Double With LED 30u" 4S PART NO: J24UG27D6D4D7 REV: A SIZE: A4 UNIT: mm SHEET: 2 OF 2 FCN: D7 http://www.vitalconn.com	
.00	±0.25				
.000	±0.10				
ANGLE	±3.00°				
MANUFACTURING COPY		APPROVED BY: QPF PROJECTION: 