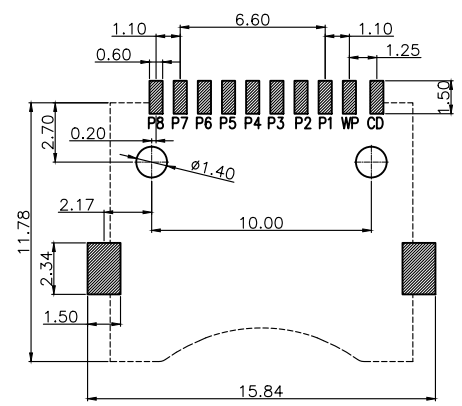
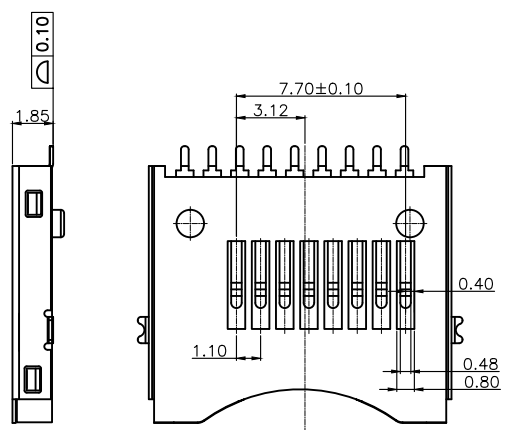
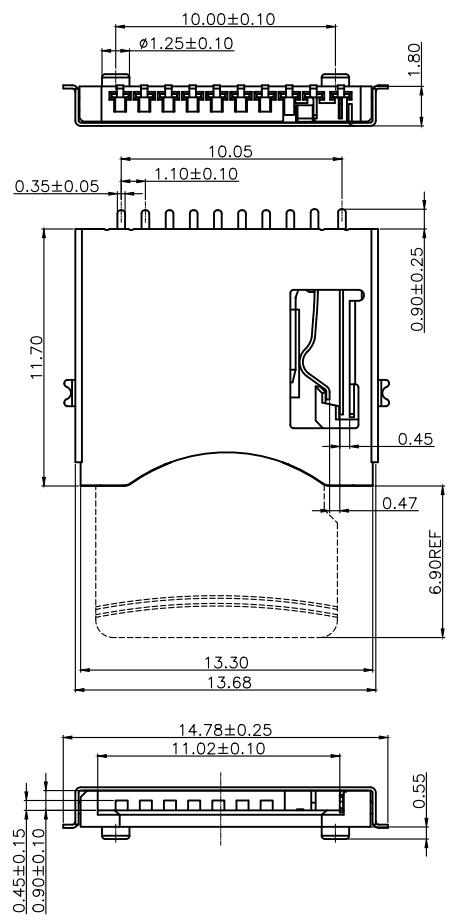


7		8	
REV:	ECN. NO.	NAME	DATE



Recommended P.C.B Layout(Top Side)

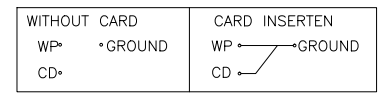
Specification

Material
Housing: LCP 30%GF, UL94V-0, Black
Contact Terminal: Phosphor Bronze, T=0.15mm
Shell: C2680, T=0.15mm

Plating:
Contact Terminal
Contact Area: Gold Flash
Solder area: Tin 80u" min.
Underplating: Ni overall 30u" min.
Shell: Ni overall 30u" min.


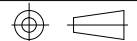
Electrical
Voltage Rating: 30V max.
Current Rating: 0.5A max.
Dielectric Withstanding Voltage: 100V AC (60 Sec min.)
Insulation Resistance: 1000 M Ω min.
Contact Resistance: 100 m Ω max.

Mechanical & Environmental
Operating Temperature: -40°C to +85°C
Durability: 2000 cycles

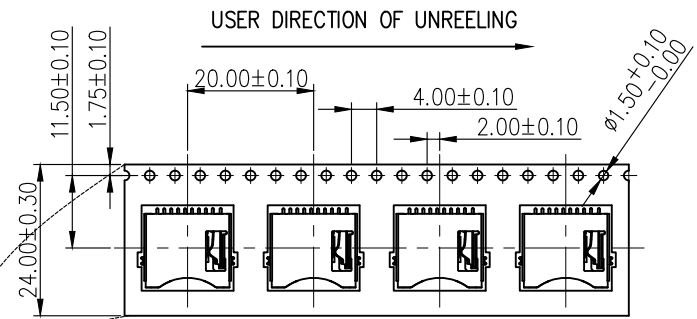


Pin No.	NAME
1	DAT2
2	CD/DAT3
3	CMD
4	VDD
5	CLK
6	VSS
7	DAT0
8	DAT1

RoHS Compliant

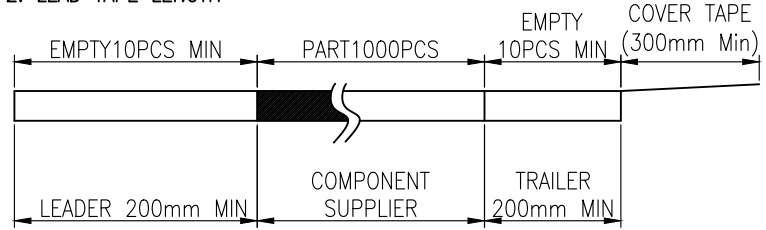
MILLIMETERS X.° ± 2° .X ± 0.30 .XX ± 0.20 .XXX ± 0.10	INCH X.° ± 2° .X ± 0.012 .XX ± 0.008 .XXX ± 0.004	 VITALCON a vital connector company		FOR YOUR VITAL CONNECTION	
				TF 简易卡座无卷边(A3) 标准图框	
DRAWN BY:	Zou Long	PART NO:	VTC402040322	REV: A	
CHECKED BY:	Bob	SIZE: A4	UNIT:mm	SHEET:1 OF 2	FCN: E1
APPROVED BY:	QPF	PROJECTION		http://www.vitalconn.com	

7		8	
REV:	ECN. NO.	NAME	DATE



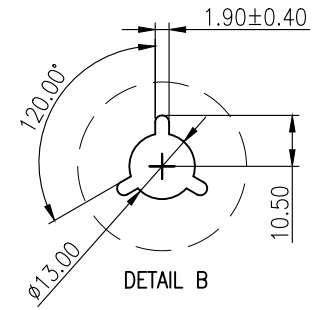
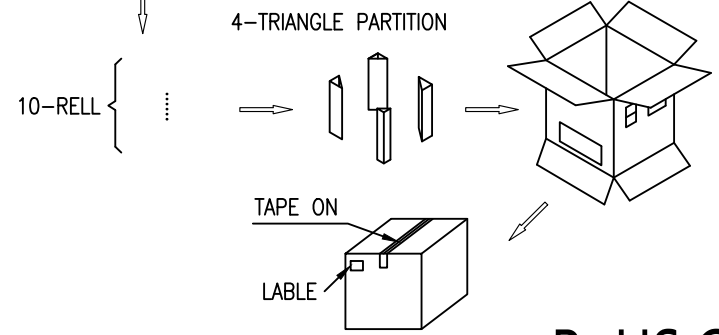
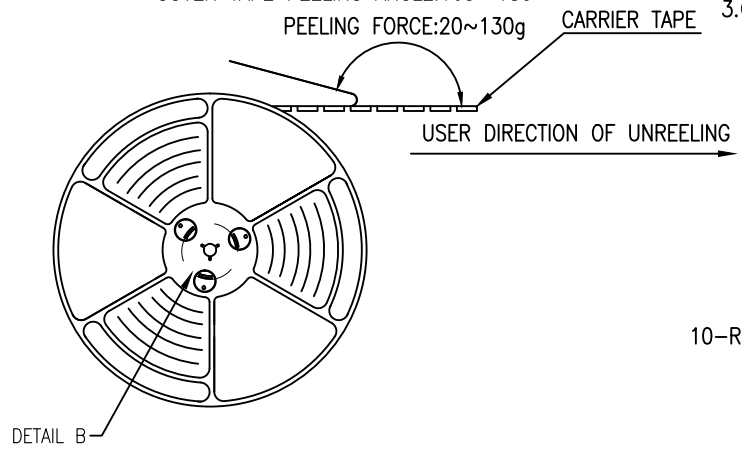
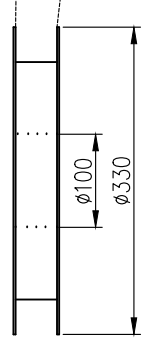
NOTES

- 1. NUMBER OF CONNECTORS: 1000PCS/REEL
- 2. LEAD TAPE LENGTH


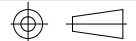


COVER TAPE PEELING ANGLE: 165°~180°
PEELING FORCE: 20~130g

3. QUANTITY: 10000PCS/CARTON



RoHS Compliant

MILLIMETERS X.° ± 2° .X ± 0.30 .XX ± 0.20 .XXX ± 0.10	INCH X.° ± 2° .X ± 0.012 .XX ± 0.008 .XXX ± 0.004			FOR YOUR VITAL CONNECTION	
		TITLE:	TF 简易卡座无卷边(A3) 标准图框		
DRAWN BY:	Zou Long	PART NO:	VTC402040322	REV: A	
CHECKED BY:	Bob	SIZE: A4	UNIT:mm	SHEET: 2 OF 2	FCN: E1
APPROVED BY:	QPF	PROJECTION		http://www.vitalconn.com	