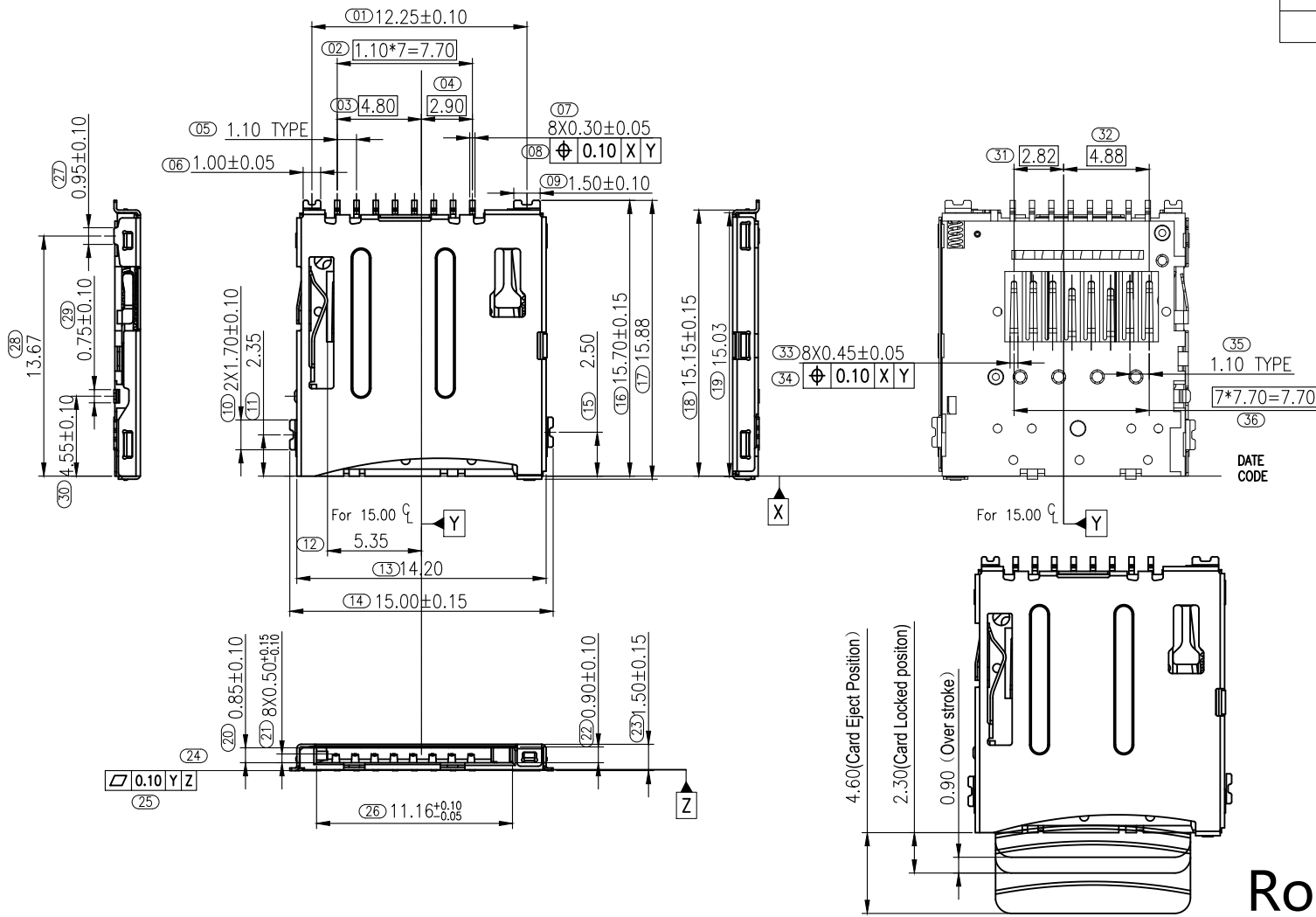

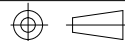


REV:	ECN. NO.	NAME	DATE

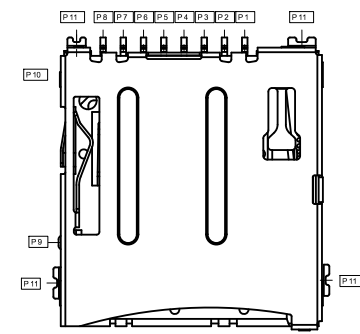
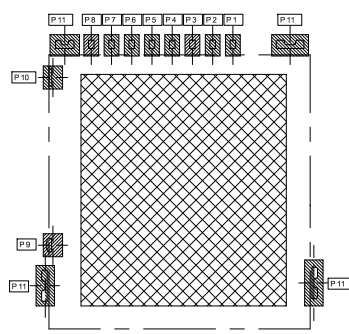
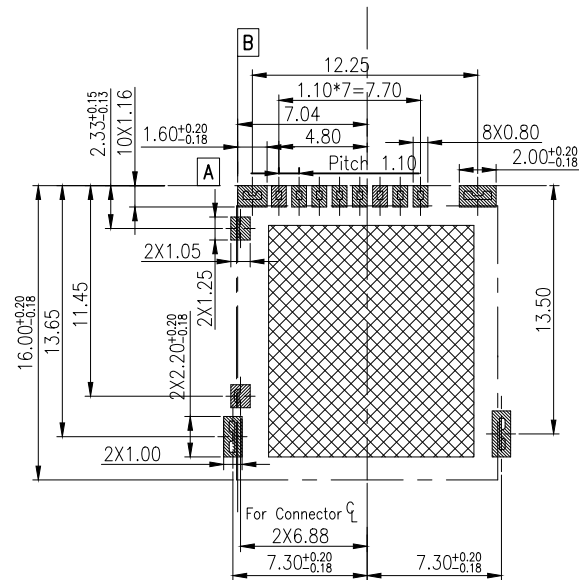


- NOTES:
- Material
 - Housing:LCP 30%G/F UL94V-0 Black
 - Terminal:Phosphor Bronze T=0.12
 - Cover:SUS301 T=0.15
 - Plating:
 - Terminal:
 - Contact Area:2u²Au
 - Solder Area:Matte Tin
 - Underplating:Ni overall 80u² to 160u²
 - Cover:
 - Solder Area:Gold Flash
 - Underplating:Ni overall 30u²min
 - Technical Speciality:
 - Rated Voltage: 30V
 - Current Rating: 1A
 - Insulation Resistance:1000M^Ω Min.
 - Contact Resistance:100m^Ω Max.
 - Withstanding Voltage: 500V DC For 1 Minutes.
 - Mechanical&Environmental
 - Operating Temperature:-45^o to +75^o
 - Durability:5000 cycles

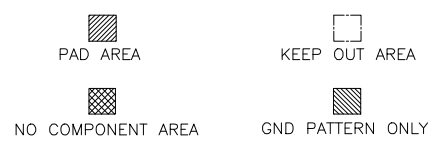
RoHS Compliant

MILLIMETERS X. ^o ± 2 ^o .X ± 0.30 .XX ± 0.20 .XXX ± 0.10	INCH X. ^o ± 2 ^o .X ± 0.012 .XX ± 0.008 .XXX ± 0.004	 VITALCON <small>a vital connector company</small>		FOR YOUR VITAL CONNECTION	
				TITLE: Micro SD push normal type connector H=1.50	
DRAWN BY: Zou Long	PART NO: VTC102583332-D	REV: A		FCN: E1	
CHECKED BY: Bob	SIZE: A4	UNIT:mm	SHEET:1 OF 3		FCN: E1
APPROVED BY: QPF	PROJECTION			http://www.vitalconn.com	

7		8	
REV:	ECN. NO.	NAME	DATE



PCB PATTERN LAYOUT
(GENERAL TOLERANCE:±0.05)



OPENING/CLOSE OF SWITCH

	CARD DETECT SWITCH	
CARD UNINSERTION	OPEN	
CARD HALF INSERTION	OPEN	
CARD INSERTION	CLOSE	
N/O		

RoHS Compliant

P 6	Micro-SD_VSS		
P 5	Micro-SD_CLK	P 11	Cover_GND
P 4	Micro-SD_VDD	P 10	Micro-SD_GND
P 3	Micro-SD_CMD	P 9	Micro-SD_CD
P 2	Micro-SD_CD/DATA3	P 8	Micro-SD_DAT1
P 1	Micro-SD_DATA2	P 7	Micro-SD_DAT0
Pin Define			

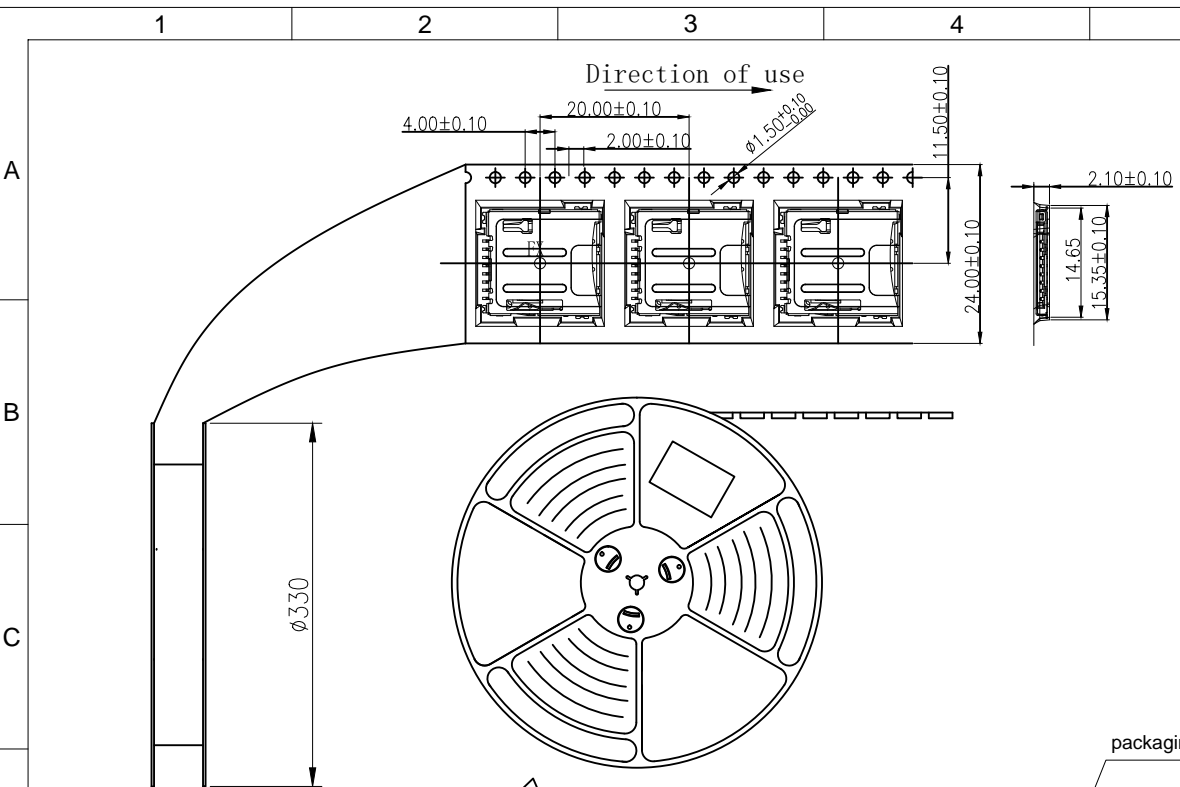
MILLIMETERS X.° ± 2° .X ± 0.30 .XX ± 0.20 .XXX ± 0.10	INCH X.° ± 2° .X ± 0.012 .XX ± 0.008 .XXX ± 0.004	 a vital connector company		FOR YOUR VITAL CONNECTION	
DRAWN BY: Zou Long		TITLE: Micro SD push normal type connector H=1.50		PART NO: VTC102583332-D	
CHECKED BY: Bob		SIZE: A4		UNIT:mm	SHEET:2 OF 3
APPROVED BY: QPF		PROJECTION		http://www.vitalconn.com	

A
B
C
D
E
F

A
B
C
D
E
F

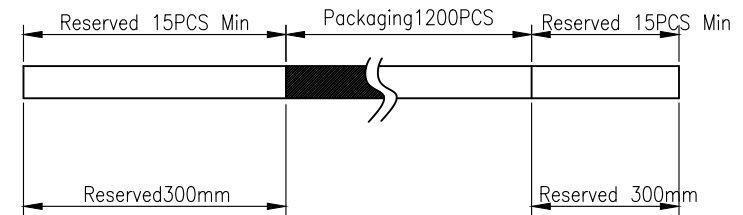
1 2 3 4 5 6 7 8

REV:	ECN. NO.	NAME	DATE

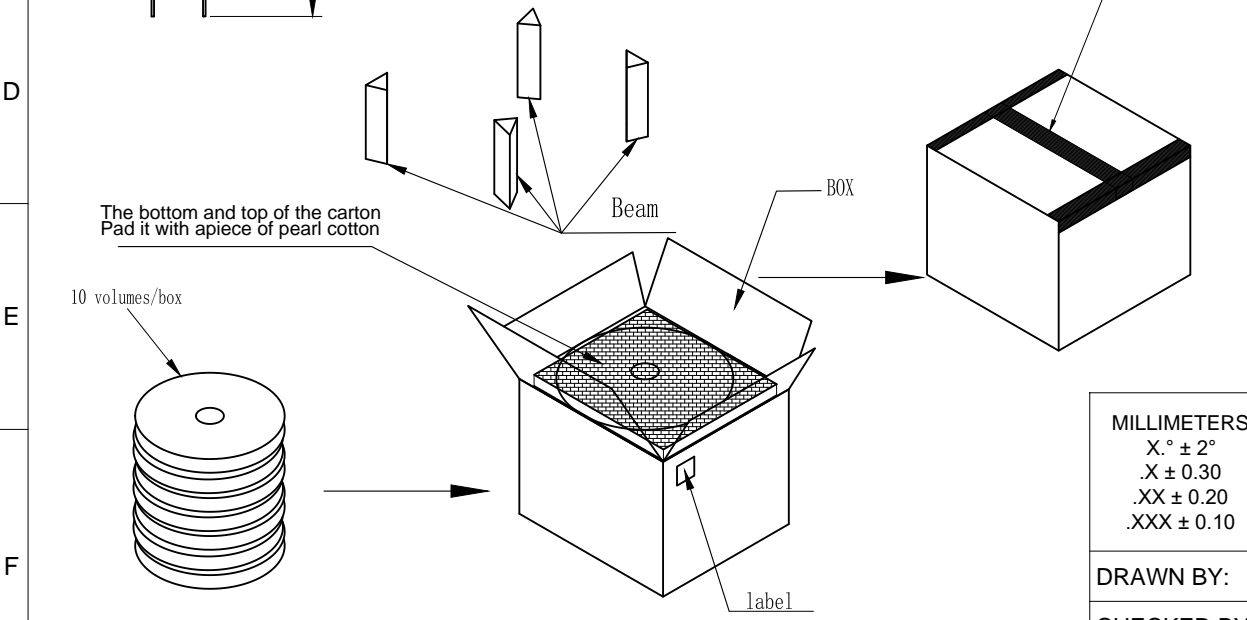


NOTES:

- 1、Packing quantity per plate: 1200PCS/Plate
- 2、Loading and packing method


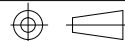


3、Total packaging: 10000PCS/Box



303060001	PE Bag (T=0.08mm, 730*760*730)	1PC
303020124	Carrier band (Lucent, PET W=24 PH=20, T=0.3)	24.60M*10
303110001	Beam (K=K, T=7.0, 95*95*290)	4PC
303130001	Pearl Wool (340*340*18)	2PC
303070025	Self-adhesive (W=21.5)	24.90M*10
303180020	REEL (BLUE, 13Inches*24mm, $\phi 330$)	10PC
303040062	Box (K=K, T=7.0, 350*350*340)	1PC
Part Number	Description	Quantity

RoHS Compliant

MILLIMETERS X. ^o ± 2° .X ± 0.30 .XX ± 0.20 .XXX ± 0.10	INCH X. ^o ± 2° .X ± 0.012 .XX ± 0.008 .XXX ± 0.004			FOR YOUR VITAL CONNECTION	
		TITLE: Micro SD push normal type connector H=1.50		DRAWN BY: Zou Long	
CHECKED BY: Bob		PART NO: VTC102583332-D		REV: A	
APPROVED BY: QPF		SIZE: A4		UNIT:mm SHEET:3 OF 3 FCN: E1	
PROJECTION				http://www.vitalconn.com	