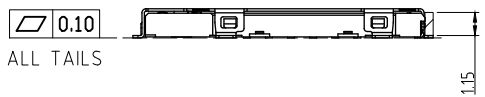
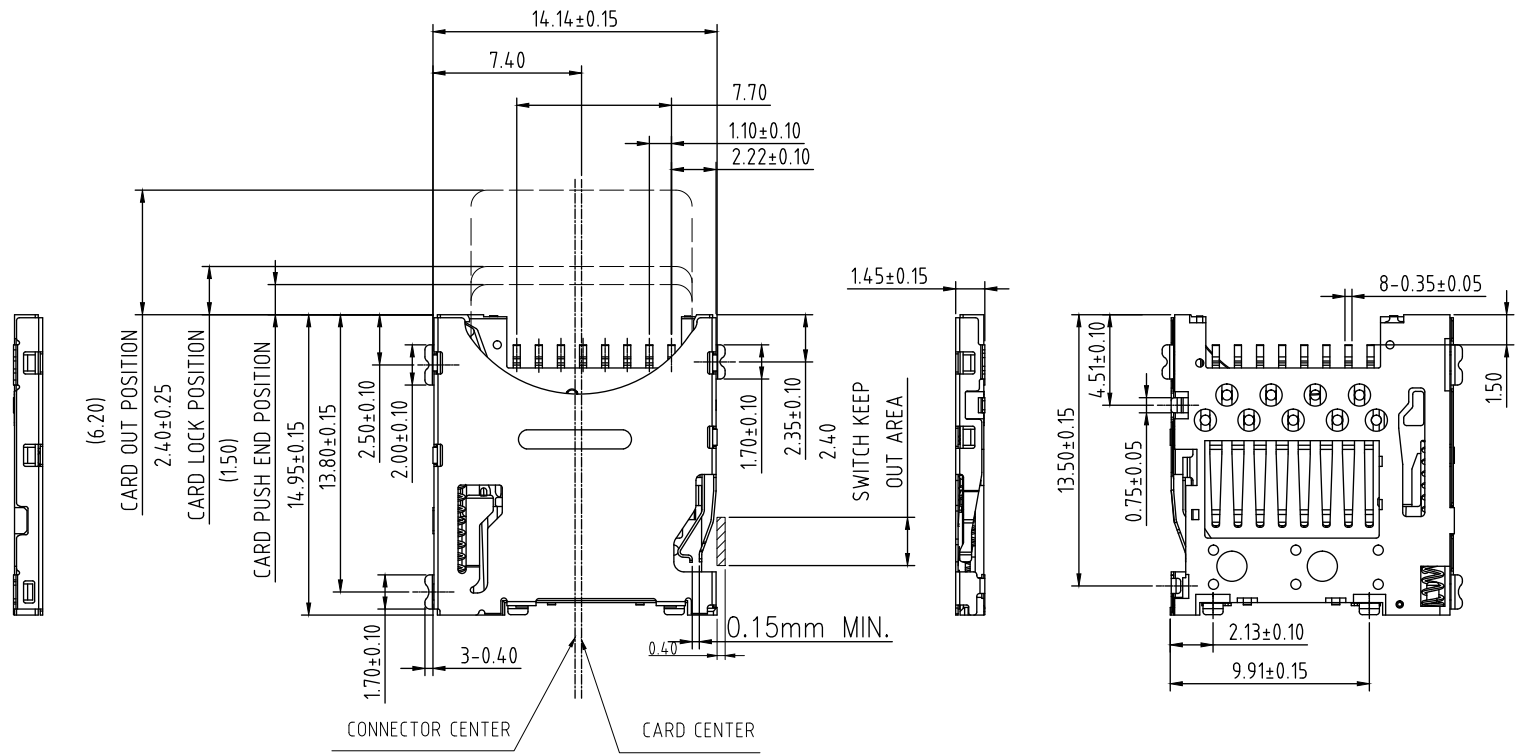

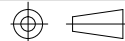


REV:	ECN. NO.	NAME	DATE



RoHS Compliant

MILLIMETERS X.° ± 2° .X ± 0.38 .XX ± 0.25 .XXX ± 0.15	INCH X.° ± 2° .X ± 0.010 .XX ± 0.008 .XXX ± 0.004			FOR YOUR VITAL CONNECTION	
		TITLE: TF Push H1.45			
DRAWN BY: Zou Long	PART NO: VTC102414512	REV: A			
CHECKED BY: Bob	SIZE: A4	UNIT: mm	SHEET: 1 OF 3	FCN: E1	
APPROVED BY: QPF	PROJECTION 	http://www.vitalconn.com			

REV:	ECN. NO.	NAME	DATE

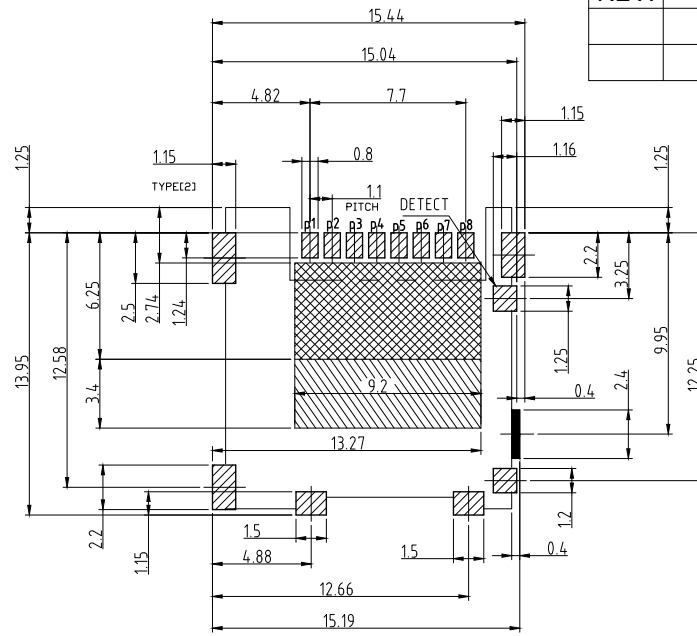
NOTES: Durability:5000 cycles

1.Material
Housing:LCP UL94V-0 Black
Terminal:Phosphor Bronze T=0.12
Cover:SUS304 T=0.12

2.Plating:
Terminal:
Contact Area:Gold Flash
Solder Area:80u" Tin Min
Underplating:Ni overall 50u" min
Cover:
Solder Area:Gold Flash
Underplating:Ni overall 50u" min

3.Technical Speciality:
Rated Voltage: 30V
Current Rating: 0.5A
Insulation Resistance:1000MΩ Min.
Contact Resistance:100mΩ Max.
Withstanding Voltage: 500V DC
For 1 Minutes.

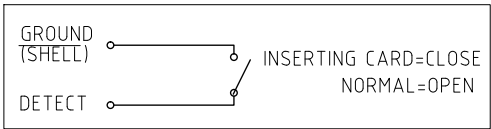
4.Mechaniical&Environmental
Operating Temperature:-45°C to +75°C



RECOMMENDED PCB PATTERN LAYOUT(TOP VIEW)
TOLERANCE: ±0.05

SOLDER PROHIBITED AREA
 PROHIBITED AREA
 PATTERN PROHIBITED AREA

7	DETECT	1	C5210,30u" Ni UNDEROLATED OVERALL
6	TERMINAL	1	G/F PALTED ON CONTACT AREA 80u" MATTE TIN PLATED ON SOLDER AREA
5	HOUSING	1	LCP UL94V-0,BLACK
4	SLIDER	1	LCP UL94V-0,BLACK
3	SPRING	1	SWP
2	CAM FOLLOWER	1	SUS304
1	SHELL	1	SUS304,G/F PLARED OVER 30u" Ni ON SOLDER AREA
NO.	PART NAME	Q'TY	DESCRIPTION

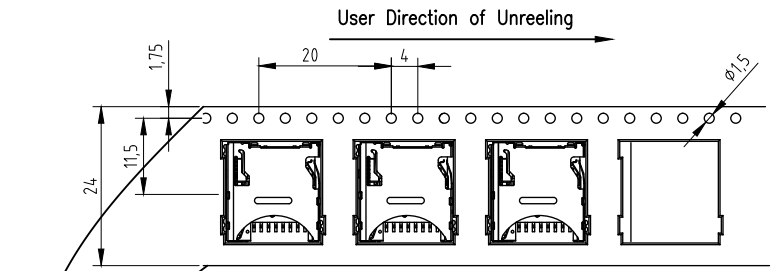


TERM 1	DATA 2
TERM 2	CD/DATA 3
TERM 3	CMD
TERM 4	VDD
TERM 5	CLK
TERM 6	VSS
TERM 7	DATA 0
TERM 8	DATA 1

RoHS Compliant

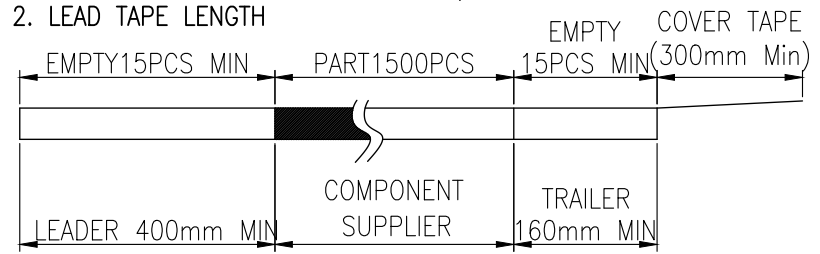
MILLIMETERS X.° ± 2° .X ± 0.38 .XX ± 0.25 .XXX ± 0.15	INCH X.° ± 2° .X ± 0.010 .XX ± 0.008 .XXX ± 0.004	 a vital connector company	FOR YOUR VITAL CONNECTION	
TITLE: TF Push H1.45				
DRAWN BY: Zou Long	PART NO: VTC102414512	REV: A	FCN: E1	
CHECKED BY: Bob	SIZE: A4	UNIT:mm	SHEET:2 OF 3	FCN: E1
APPROVED BY: QPF	PROJECTION		http://www.vitalconn.com	

7		8	
REV:	ECN. NO.	NAME	DATE

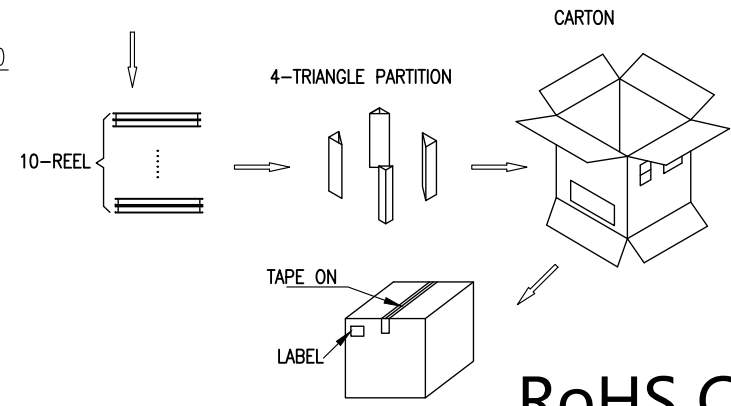
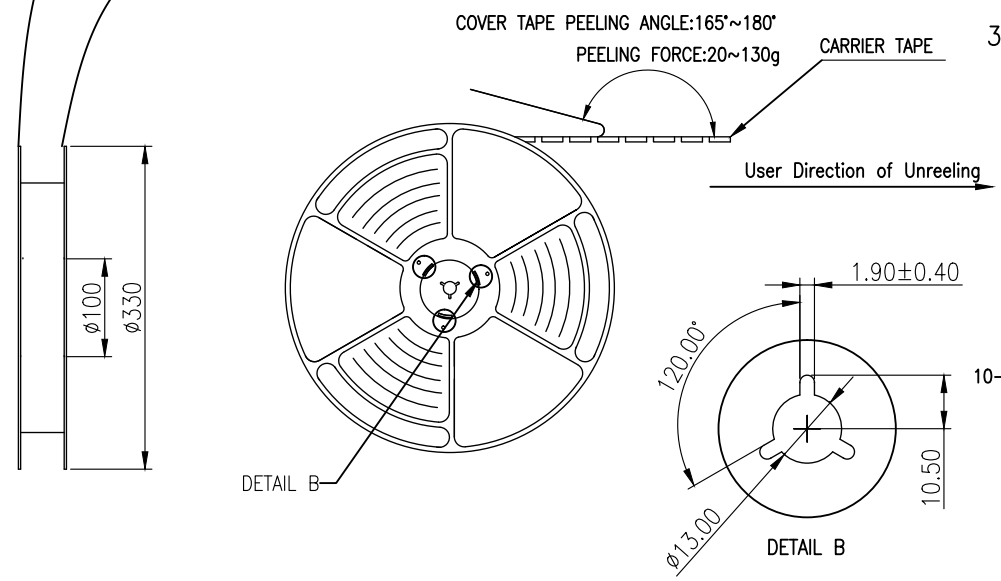


NOTES

1. NUMBER OF CONNECTORS:1500PCS/REEL
2. LEAD TAPE LENGTH



3. QUANTITY:15000PCS/CARTON



RoHS Compliant

MILLIMETERS X.° ± 2° .X ± 0.38 .XX ± 0.25 .XXX ± 0.15	INCH X.° ± 2° .X ± 0.010 .XX ± 0.008 .XXX ± 0.004	VITALCONN a vital connector company		FOR YOUR VITAL CONNECTION	
		TITLE:	TF Push H1.45		
DRAWN BY:	Zou Long	PART NO:	VTC102414512	REV: A	
CHECKED BY:	Bob	SIZE: A4	UNIT:mm	SHEET:3 OF 3	FCN: E1
APPROVED BY:	QPF	PROJECTION		http://www.vitalconn.com	