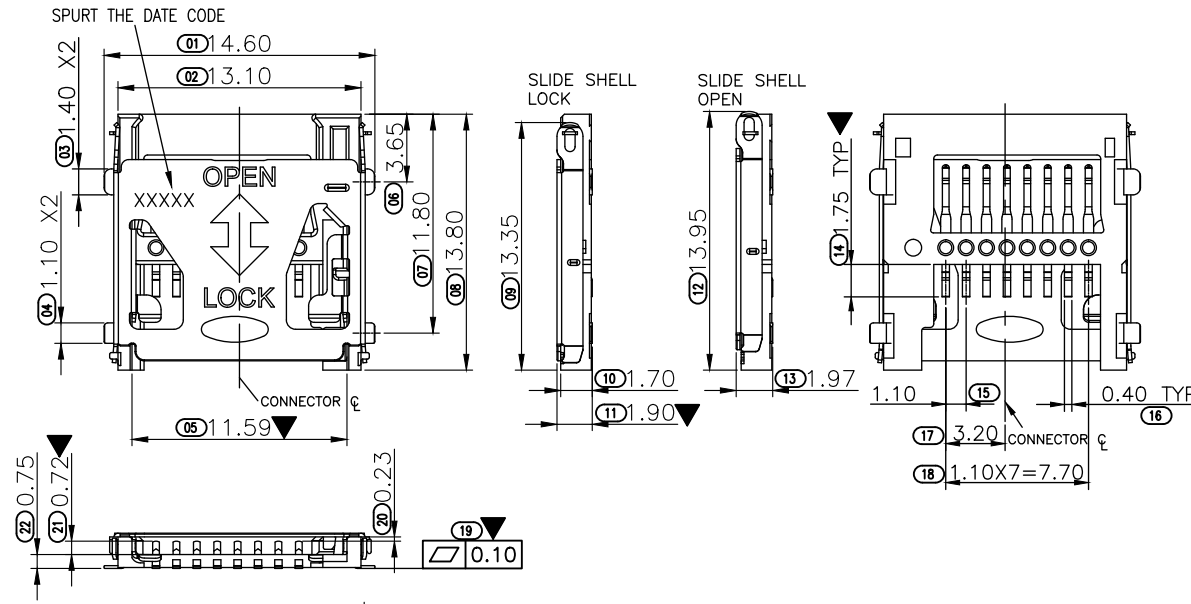
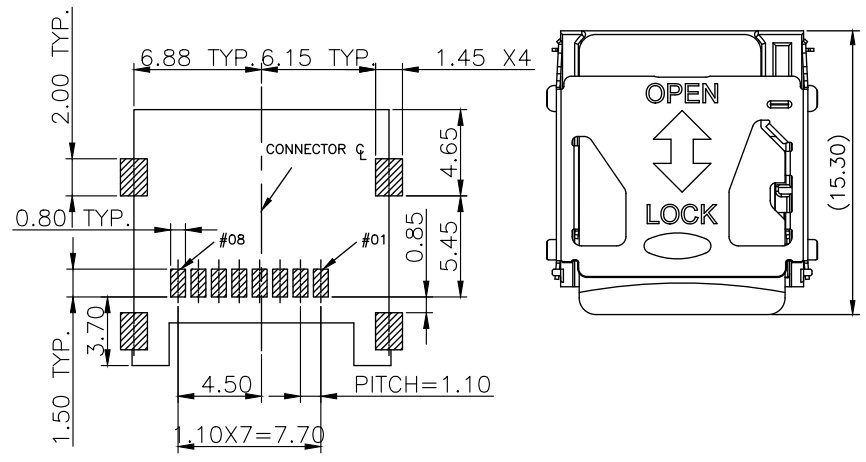
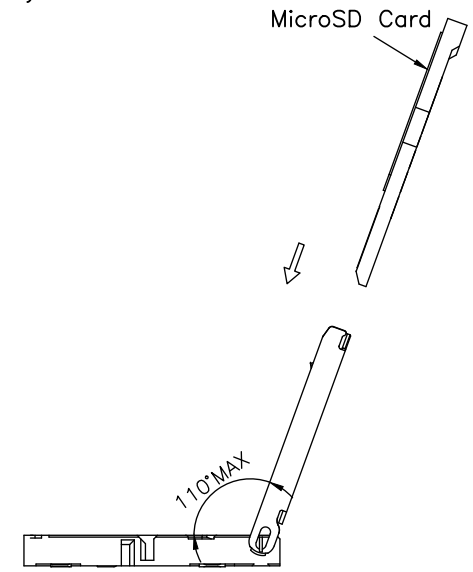


| | | | |
|------|----------|------|------|
| 7 | | 8 | |
| REV: | ECN. NO. | NAME | DATE |
| | | | |



- NOTES:
- Material
Housing:LCP UL94V-0 Black
Terminal:Phosphor Bronze T=0.15
Cover:SUS304 T=0.20
 - Plating:
Terminal:
Contact Area:15u"Au
Solder Area:Gold Flash
 - Technical Speciality:
Rated Voltage: 30V
Current Rating: 0.5A
Insulation Resistance:1000MΩ Min.
Contact Resistance:100mΩ Max.
Withstanding Voltage: 500V DC For 1 Minutes.
 - Mechaniical&Environmental
Operating Temperature:-45 to +75
Durability:5000 cycles



RECOMMENDED PCB LAYOUT(TOP VIEW)
GENERAL TOLERANCES:±0.05

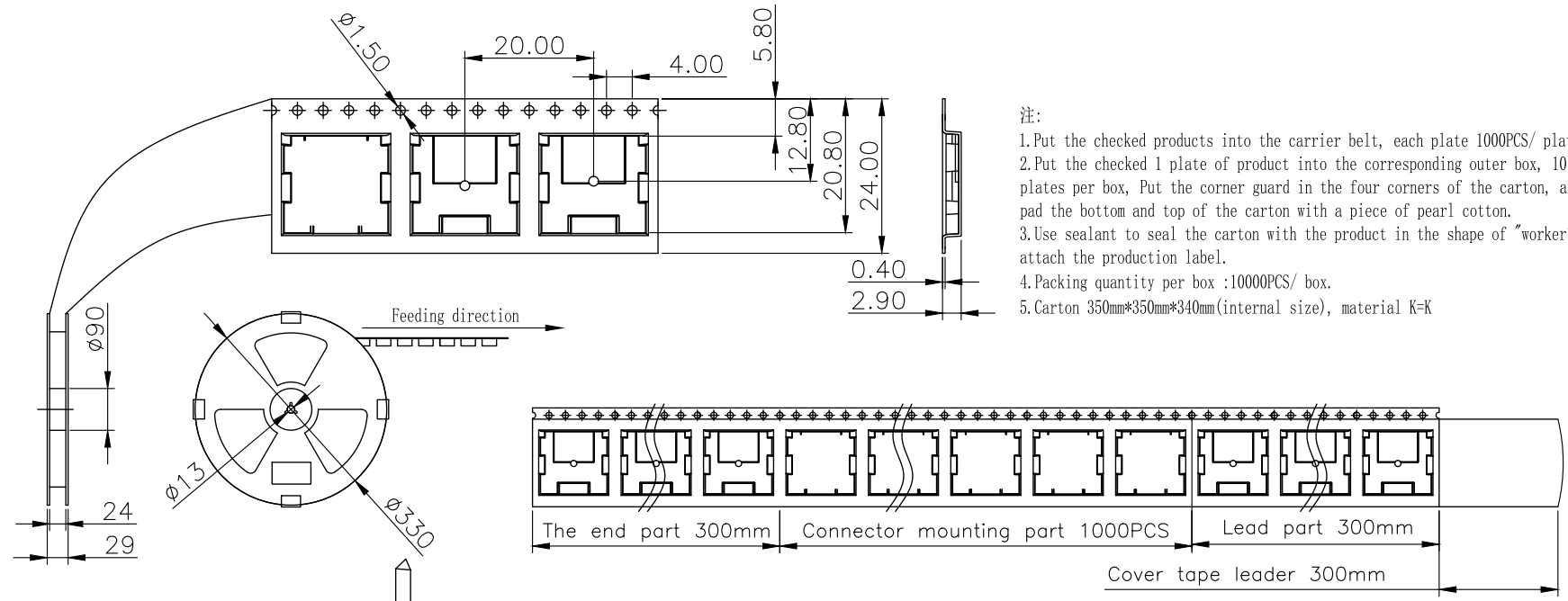
SOLDER AREA

| PIN NO. | NAME |
|---------|---------|
| #01 | DAT2 |
| #02 | CD/DAT3 |
| #03 | CMD |
| #04 | VDD |
| #05 | CLK |
| #06 | VSS |
| #07 | DAT0 |
| #08 | DAT1 |

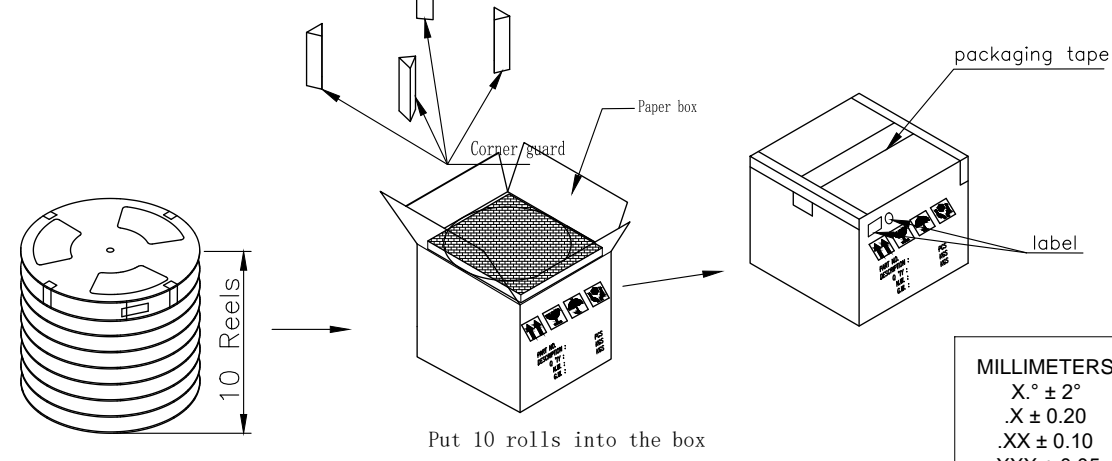
| MILLIMETERS | INCH |
|-------------|--------------|
| X.° ± 2° | X.° ± 2° |
| .X ± 0.20 | .X ± 0.012 |
| .XX ± 0.10 | .XX ± 0.008 |
| .XXX ± 0.05 | .XXX ± 0.008 |

| | | | | |
|--------------|----------|---------------------------|--------------|---|
| | | FOR YOUR VITAL CONNECTION | | |
| | | TF掀盖1.9卡座 | | |
| TITLE: | | | | |
| DRAWN BY: | Zou Long | PART NO: | VTC102151482 | REV: A |
| CHECKED BY: | Bob | SIZE: A4 | UNIT:mm | SHEET:1 OF 2 FCN: E1 |
| APPROVED BY: | QPF | PROJECTION | | http://www.vitalconn.com |


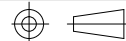
| | | | |
|------|----------|------|------|
| 7 | | 8 | |
| REV: | ECN. NO. | NAME | DATE |
| | | | |



- 注:
- 1.Put the checked products into the carrier belt, each plate 1000PCS/ plate
 - 2.Put the checked 1 plate of product into the corresponding outer box, 10 plates per box, Put the corner guard in the four corners of the carton, and pad the bottom and top of the carton with a piece of pearl cotton.
 - 3.Use sealant to seal the carton with the product in the shape of "worker"and attach the production label.
 - 4.Packing quantity per box :10000PCS/ box.
 - 5.Carton 350mm*350mm*340mm(internal size), material K-K



RoHS Compliant

| | | | | | | | |
|---|--|---|--|--|--|---|--|
| MILLIMETERS X.° ± 2° .X ± 0.20 .XX ± 0.10 .XXX ± 0.05 | | INCH X.° ± 2° .X ± 0.012 .XX ± 0.008 .XXX ± 0.008 | |  VITALCONN a vital connector company | | FOR YOUR VITAL CONNECTION | |
| DRAWN BY: Zou Long | | PART NO: VTC102151482 | | TITLE: TF掀盖1.9卡座 | | REV: A | |
| CHECKED BY: Bob | | SIZE: A4 | | UNIT:mm | | SHEET:2 OF 2 FCN: E1 | |
| APPROVED BY: QPF | | PROJECTION | |  | | http://www.vitalconn.com | |