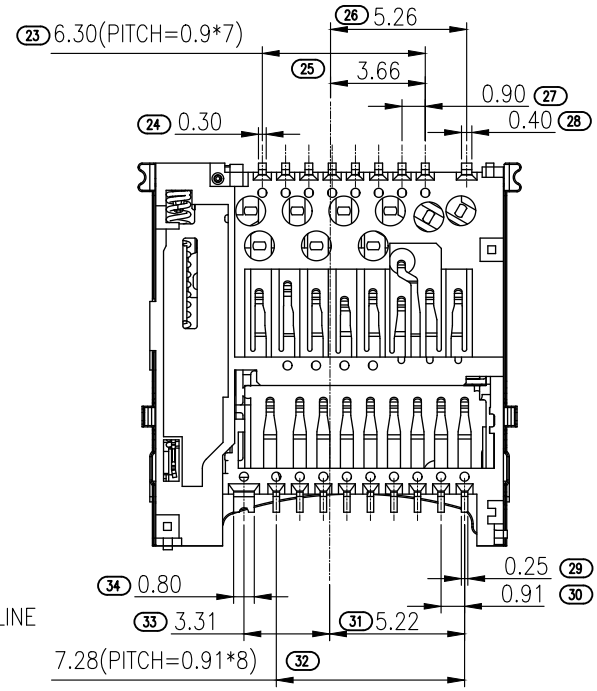
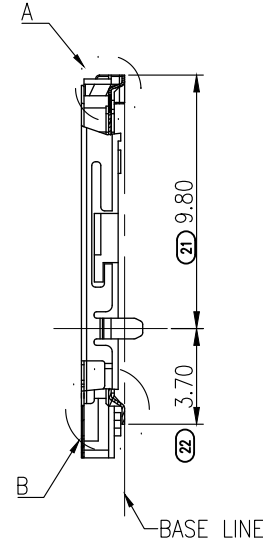
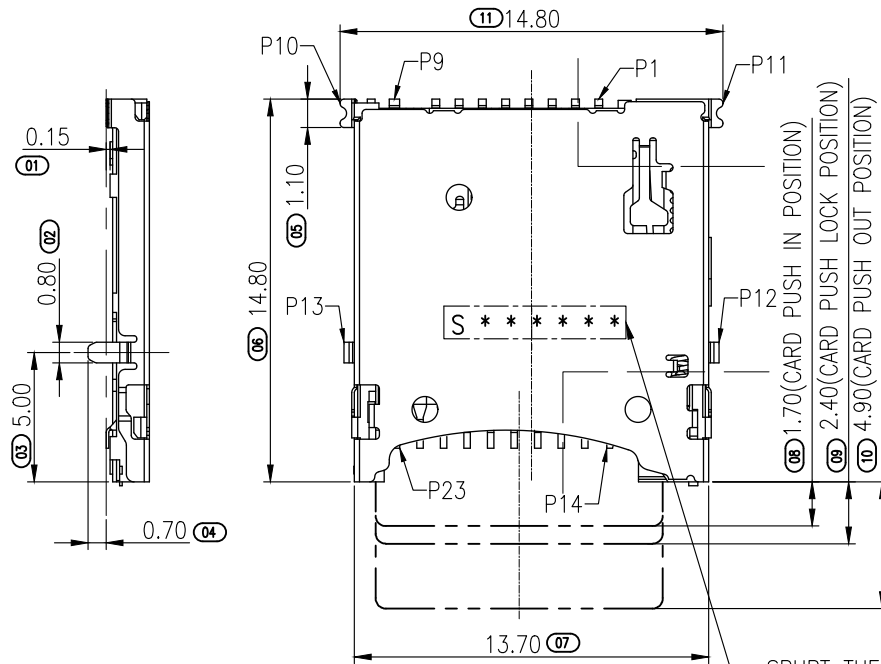




BASE LINE

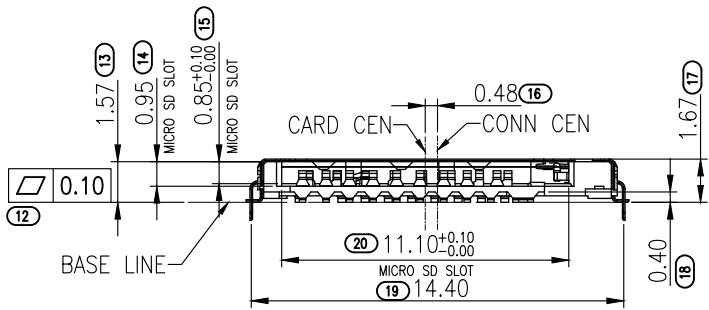
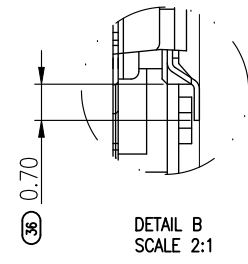
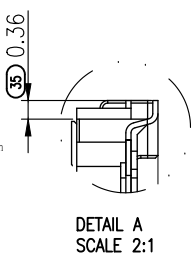
REV:	ECN. NO.	NAME	DATE



DATE CODE: SYWWDD
 Day: 01 indicates the number 1

 07 indicates the number 7
 Month: 01 indicates the first month

 12 indicates the 12th month
 Year: 19 indicates the year 2019



MILLIMETERS	INCH
X° ± 2°	X° ± 2°
.X ± 0.30	.XX ± 0.012
.XX ± 0.20	.XX ± 0.008
.XXX ± 0.10	.XXX ± 0.004



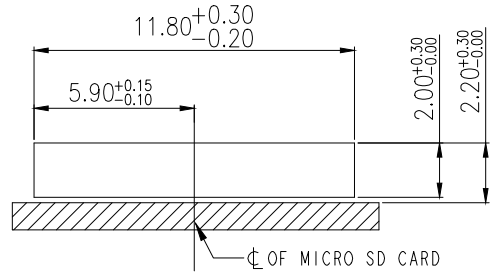
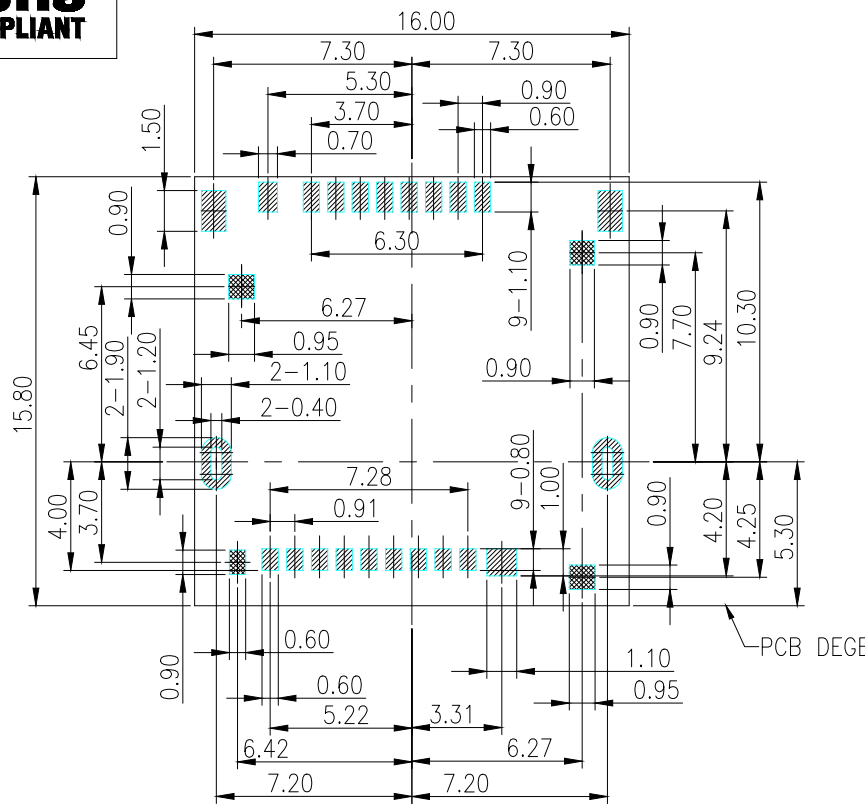
FOR YOUR VITAL CONNECTION

TITLE:		MICRO SD4.0 TOP MOUNT H=1.67 P/P TYPE	
DRAWN BY:	Zou Long	PART NO:	VTC102032712
CHECKED BY:	Bob	SIZE: A4	UNIT:mm
APPROVED BY:	QPF	PROJECTION	
REV: A		SHEET: 1 OF 3	FCN: E1
http://www.vitalconn.com			

For technical support, please send an email to support@vitalconn.com



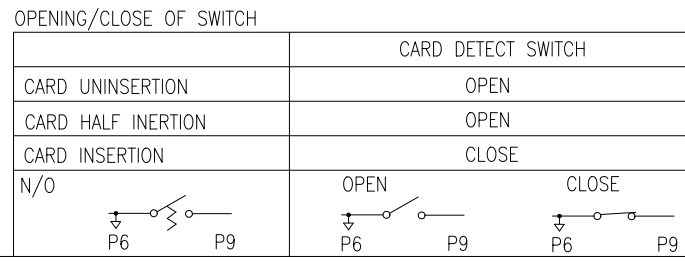
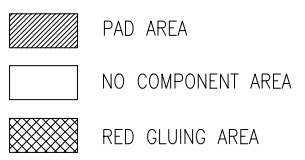
REV:	ECN. NO.	NAME	DATE



- NOTES:
- Material
Housing:LCP UL94V-0 Black
Terminal:Phosphor Bronze T=0.10
Cover:SUS304 T=0.10
 - Plating:
Terminal:
Contact Area:3u"Au
Solder Area:80u"Tin Min
Cover:
Solder Area:Gold Flash
 - Technical Specialty:
Rated Voltage: 30V
Current Rating: 0.5A
Insulation Resistance:1000MΩ Min.
Contact Resistance:100mΩ Max.
Withstanding Voltage: 100V AC For 1 Minutes.
 - Mechanical&Environmental
Operating Temperature:-40℃ to +85℃
Durability:5000 cycles

P#.	PIN#.	Pin Assignment		
		NAME	TYPE	DESCRIPTION
P1	PIN1	DATA2	I/O	DATA LINE BIT2
P2	PIN2	CD/DATA3	I/O	DATA LINE BIT3
P3	PIN3	CMD	I/O	COMMAND/RESPONSE
P4	PIN4	VDD1	S	SUPPLY VOLTAGE (3.3V)
P5	PIN5	CLK	I	CLOCK
P6	PIN6	VSS	S	SUPPLY VOLTAGE GROUND
P7	PIN7	DATA/RCLK+	I/O	DATA LINE BIT0 RCLK+
P8	PIN8	DATA/RCLK-	I/O	DATA LINE BIT1 RCLK-
P9	CD PIN	CD		CARD DETECT
P15	PIN9	VDD2	S	SUPPLY VOLTAGE (1.8V)
P16	PIN17	SWIO	I	SINGLE WIRE PROTOCOL INTERFACE
P17	PIN10	VSS	S	SUPPLY VOLTAGE GROUND
P18	PIN11	DO+	I/O	UHS-II DO+
P19	PIN12	DO-	I/O	UHS-II DO-
P20	PIN13	VSS	S	SUPPLY VOLTAGE GROUND
P21	PIN14	D1-	I/O	UHS-II D1-
P22	PIN15	D1+	I/O	UHS-II D1+
P23	PIN16	VSS	S	SUPPLY VOLTAGE GROUND

P10、P11、P12、P13、P14 THEY ARE ALL GROUNDED IN IRON SHELLS AND HAVE NOTHING TO DO WITH ASSOCIATION REGULATIONS



MILLIMETERS	INCH
X°. ± 2°	X°. ± 2°
.X ± 0.30	.XX ± 0.012
.XX ± 0.20	.XX ± 0.008
.XXX ± 0.10	.XXX ± 0.004



FOR YOUR VITAL CONNECTION

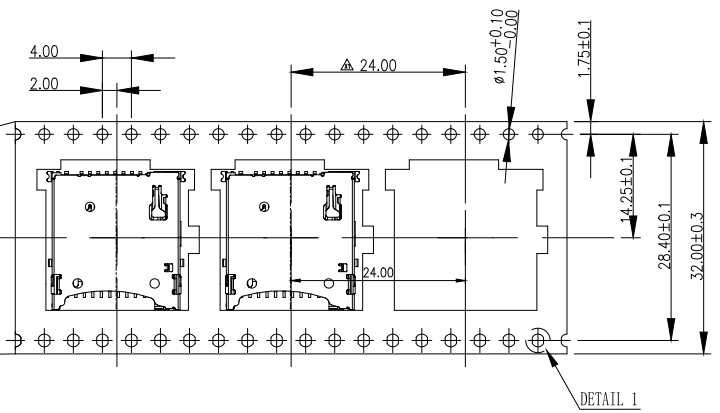
TITLE:	MICRO SD4.0 TOP MOUNT H=1.67 P/P TYPE		
PART NO:	VTC102032712	REV: A	
CHECKED BY:	Bob	SIZE: A4	UNIT:mm
APPROVED BY:	QPF	PROJECTION	SHEET:2 OF 3
			FCN: E1
			http://www.vitalconn.com

For technical support, please send an email to support@vitalconn.com

Grid labels: 1, 2, 3, 4, 5, 6, 7, 8 (columns); A, B, C, D, E, F (rows)



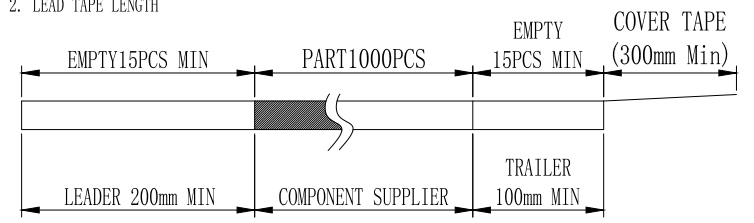
USER DIRECTION OF UNREELING →



REV:	ECN. NO.	NAME	DATE

NOTES

1. NUMBER OF CONNECTORS: 1000PCS/REEL
2. LEAD TAPE LENGTH

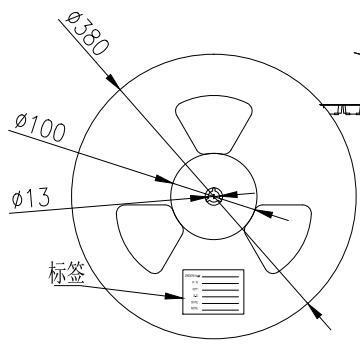


3. QUANTITY: 8000PCS/CARTON

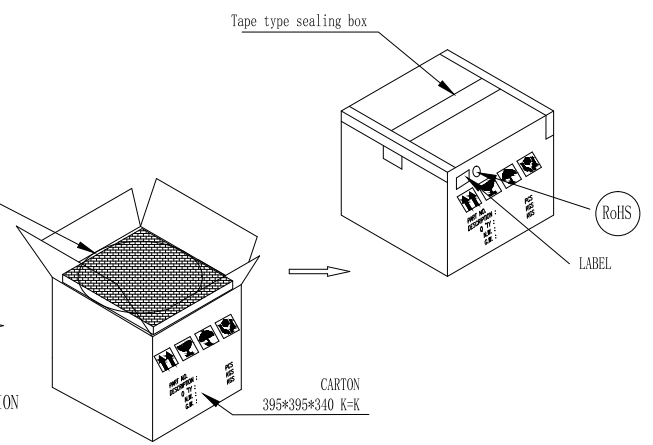
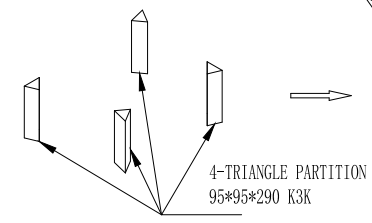
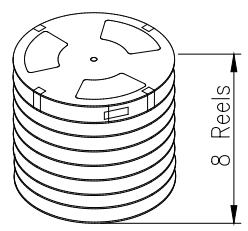
COVER TAPE PEELING ANGLE: 165°~180°

PEELING FORCE: 20~130g

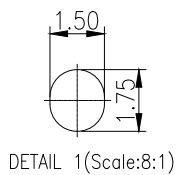
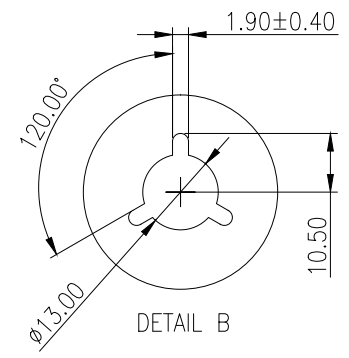
CARRIER TAPE



Each top of the bottom of the carton is protected by a piece of pearl cotton



8 rolls per carton



MILLIMETERS X°. ± 2° .X ± 0.30 .XX ± 0.20 .XXX ± 0.10	INCH X°. ± 2° .XX ± 0.012 .XX ± 0.008 .XXX ± 0.004	<p>VITALCON a vital connector company</p>	FOR YOUR VITAL CONNECTION	
TITLE: MICRO SD4.0 TOP MOUNT H=1.67 P/P TYPE			REV: A	
DRAWN BY: Zou Long	PART NO: VTC102032712	FCN: E1		
CHECKED BY: Bob	SIZE: A4	UNIT:mm	SHEET:3 OF 3	
APPROVED BY: QPF	PROJECTION	http://www.vitalconn.com		

For technical support, please send an email to support@vitalconn.com