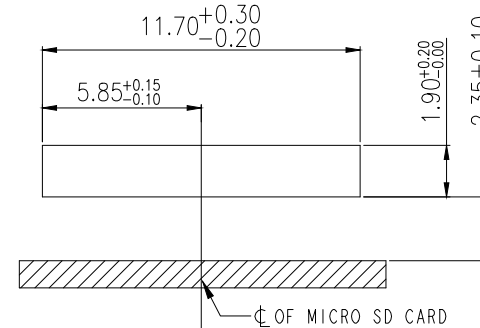
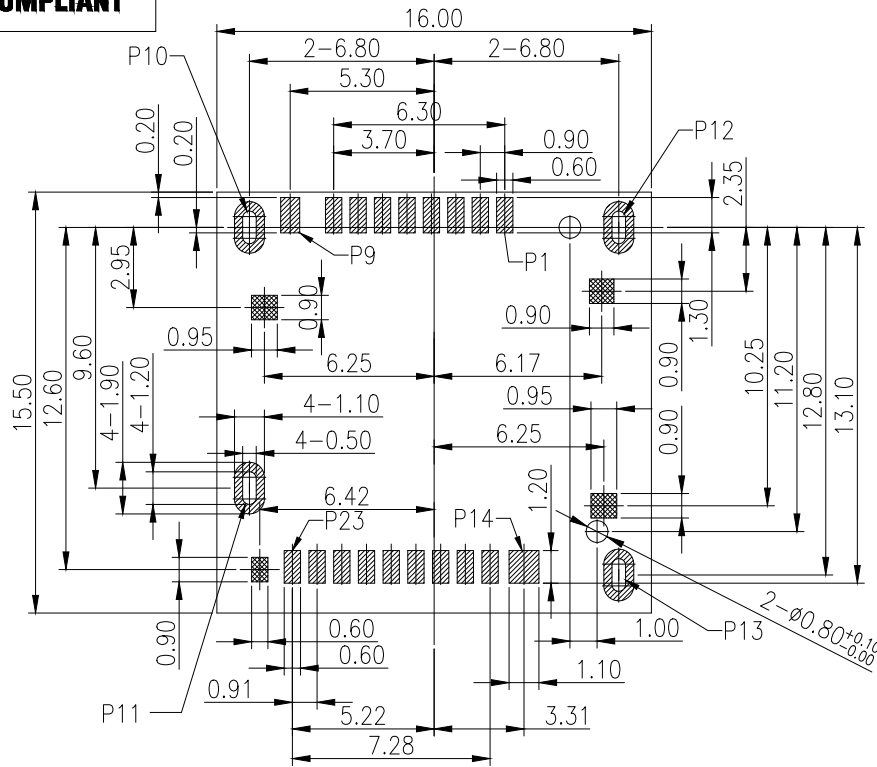




REV:	ECN. NO.	NAME	DATE



RECOMMEND ID DIMENSION

NOTES:

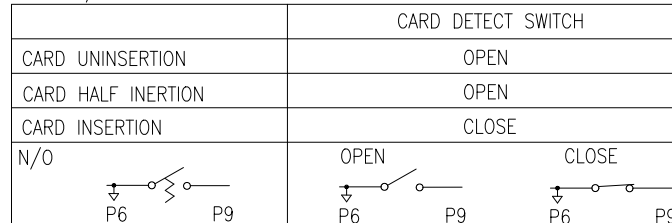
- Material
Housing:LCP UL94V-0 Black
Terminal:Phosphor Bronze T=0.10
Cover:SUS304 T=0.10
- Plating:
Terminal:
Contact Area:3u"Au
Solder Area:80u"Tin Min
Cover:
Solder Area:Ni overall 50u"min
- Technical Speciality:
Rated Voltage: 30V
Current Rating: 0.5A
Insulation Resistance:1000MΩ Min.
Contact Resistance:100mΩ Max.
Withstanding Voltage: 100V AC For 1 Minutes.
- Mechanical&Environmental
Operating Temperature:-40t to +85t
Durability:5000 cycles

RECOMMENDED P.C.B LAYOUT
TOP VIEW(TOLERANCE+/-0.05)

P#.	PIN#.	Pin Assignment		
		NAME	TYPE	DESCRIPTION
P1	PIN1	DATA2	I/O	DATA LINE BIT2
P2	PIN2	CD/DATA3	I/O	DATA LINE BIT3
P3	PIN3	CMD	I/O	COMMAND/RESPONSE
P4	PIN4	VDD1	S	SUPPLY VOLTAGE (3.3V)
P5	PIN5	CLK	I	CLOCK
P6	PIN6	VSS	S	SUPPLY VOLTAGE GROUND
P7	PIN7	DAT0/RCLK+	I/O	DATA LINE BIT0 RCLK+
P8	PIN8	DAT1/RCLK-	I/O	DATA LINE BIT1 RCLK-
P9	CD PIN	CD		CARD DETECT
P15	PIN9	VDD2	S	SUPPLY VOLTAGE (1.8V)
P16	PIN17	SWIO	I	SINGLE WIRE PROTOCOL INTERFACE
P17	PIN10	VSS	S	SUPPLY VOLTAGE GROUND
P18	PIN11	DO+	I/O	UHS-II DO+
P19	PIN12	DO-	I/O	UHS-II DO-
P20	PIN13	VSS	S	SUPPLY VOLTAGE GROUND
P21	PIN14	D1-	I/O	UHS-II D1-
P22	PIN15	D1+	I/O	UHS-II D1+
P23	PIN16	VSS	S	SUPPLY VOLTAGE GROUND

P10, P11, P12, P13, P14 THEY ARE ALL GROUNDED IN IRON SHELLS
AND HAVE NOTHING TO DO WITH ASSOCIATION REGULATIONS

OPENING/CLOSE OF SWITCH



MILLIMETERS	INCH
X° ± 2°	X° ± 2°
.X ± 0.30	.XX ± 0.012
.XX ± 0.20	.XX ± 0.008
.XXX ± 0.10	.XXX ± 0.004



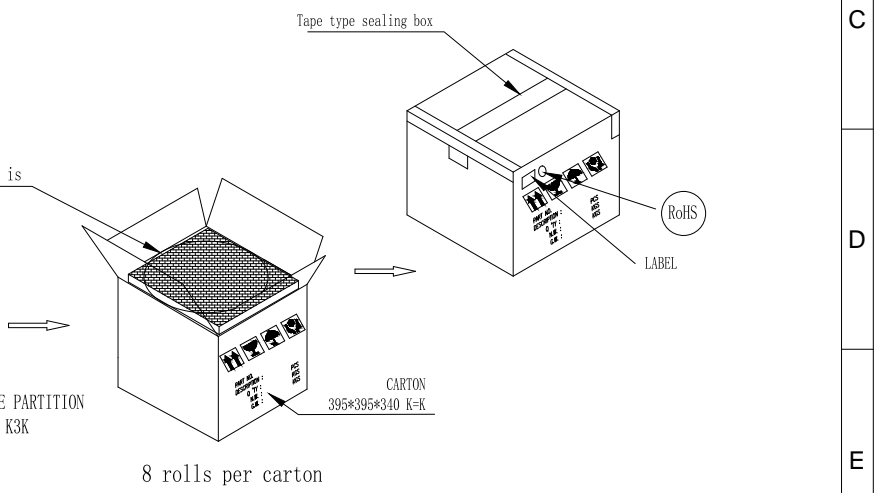
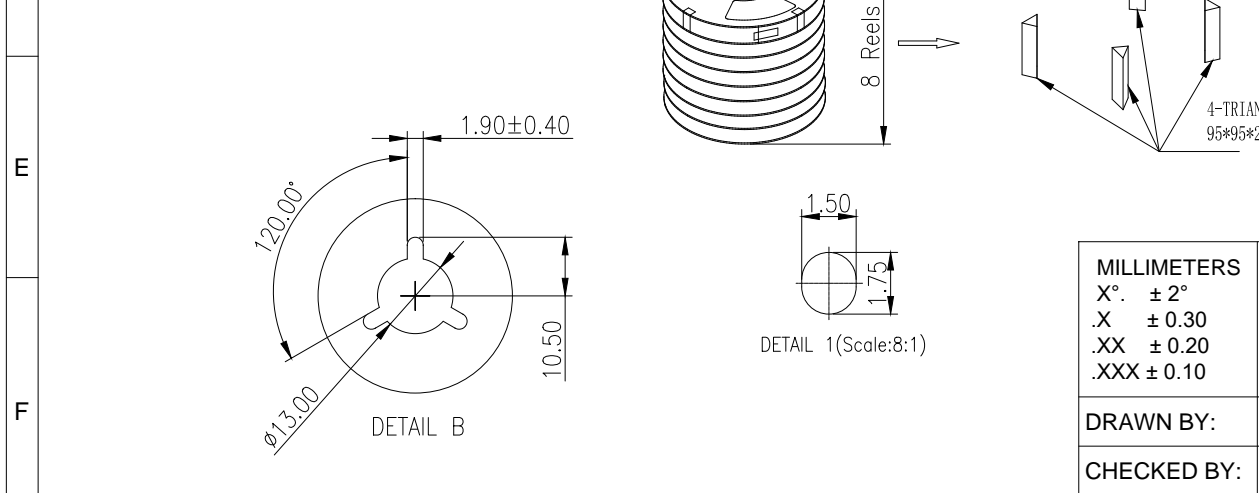
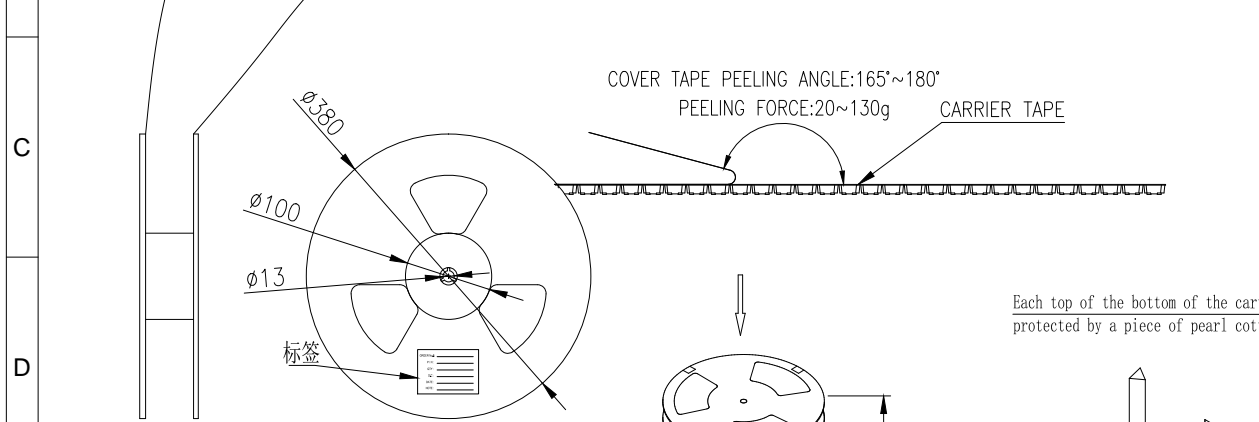
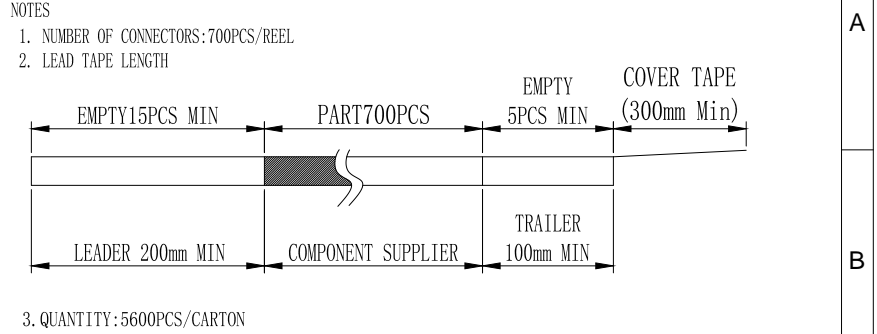
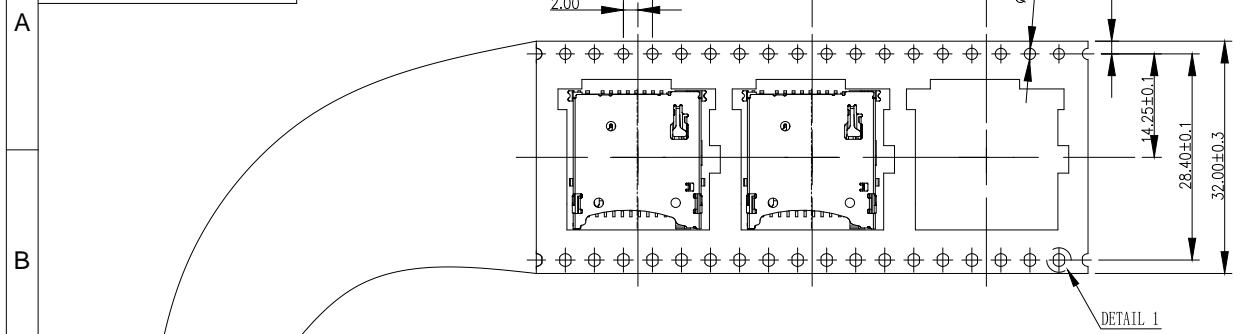
FOR YOUR
VITAL CONNECTION

TITLE: MICRO SD4.0 TOP MOUNT H=3.70P/P TYPE

DRAWN BY:	Zou Long	PART NO:	VTC102032632	REV: A
CHECKED BY:	Bob	SIZE: A4	UNIT:mm	SHEET:2 OF 3
APPROVED BY:	QPF	PROJECTION	UNIT:mm	FCN: E1
For technical support, please send an email to support@vitalconn.com			http://www.vitalconn.com	



1	2	3	4	5	6	7	8		
						REV:	ECN. NO.	NAME	DATE



For technical support, please send an email to support@vitalconn.com

MILLIMETERS X°. ± 2° .X ± 0.30 .XX ± 0.20 .XXX ± 0.10	INCH X°. ± 2° .XX ± 0.012 .XX ± 0.008 .XXX ± 0.004	VITALCON a vital connector company	FOR YOUR VITAL CONNECTION	
TITLE: MICRO SD4.0 TOP MOUNT H=3.70P/P TYPE				
DRAWN BY: Zou Long	PART NO: VTC102032632	REV: A		
CHECKED BY: Bob	SIZE: A4	UNIT:mm	SHEET:3 OF 3	FCN: E1
APPROVED BY: QPF	PROJECTION		http://www.vitalconn.com	

1	2	3	4	5	6	7	8
---	---	---	---	---	---	---	---