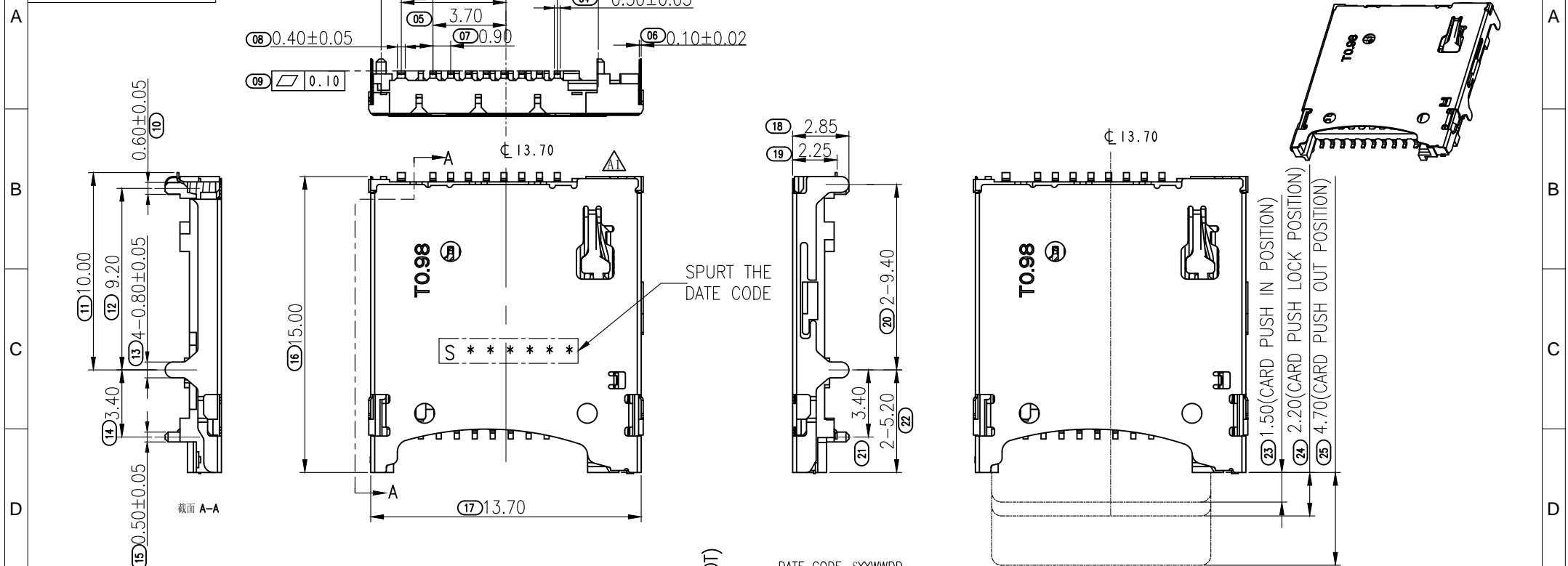




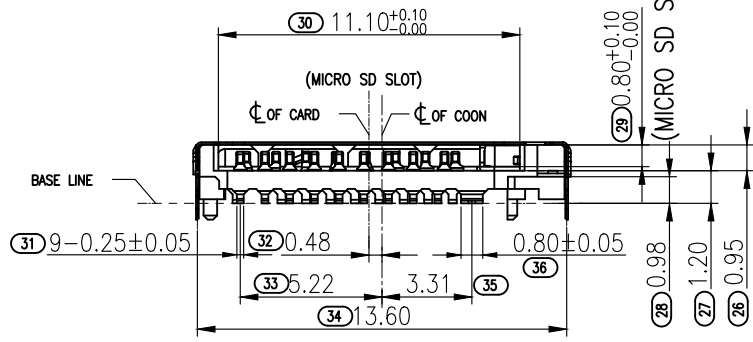
REV:	ECN. NO.	NAME	DATE



SPURT THE DATE CODE

DATE CODE: SYYWDD

- Day:01 indicates the number 1
-
- 07 indicates the number 7
- Month:01 indicates the first month
-
- 12 indicates the twelfth month
- Years:19 indicates the year 2019

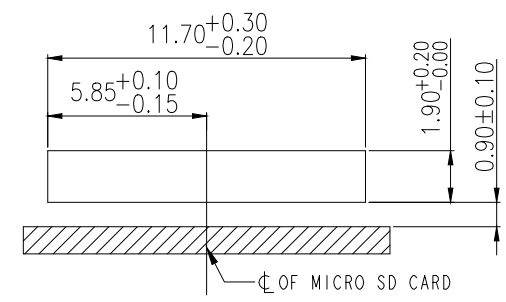
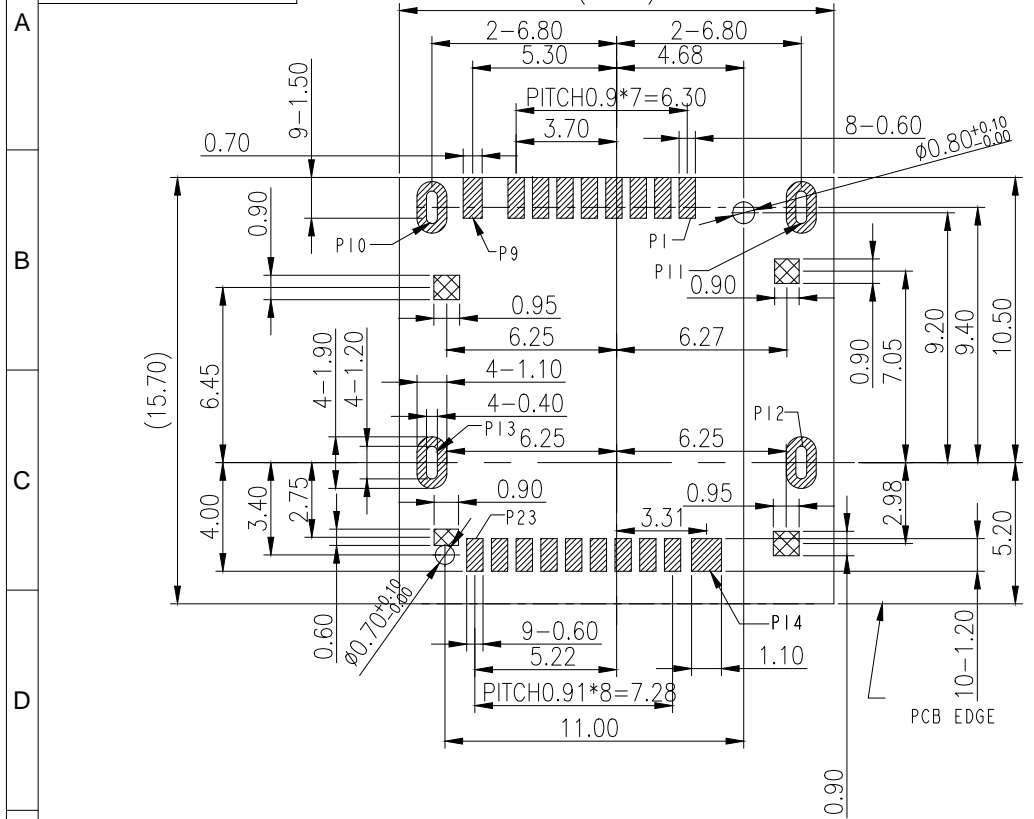


MILLIMETERS X° ± 2° .X ± 0.30 .XX ± 0.20 .XXX ± 0.10	INCH X° ± 2° .XX ± 0.012 .XX ± 0.008 .XXX ± 0.004	VITALCON a vital connector company	FOR YOUR VITAL CONNECTION	
TITLE:		Micro SD 4.0 H2.25卡座客户图		
DRAWN BY:	Zou Long	PART NO:	VTC102031522	REV: A
CHECKED BY:	Bob	SIZE: A4	UNIT:mm	SHEET:1 OF 3 FCN: E1
APPROVED BY:	QPF	PROJECTION		http://www.vitalconn.com

For technical support, please send an email to support@vitalconn.com



REV:	ECN. NO.	NAME	DATE



RECOMMEND ID DIMENSION

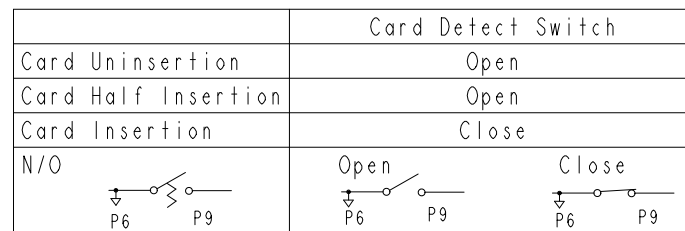
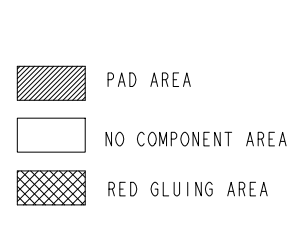
- NOTES:
- Material
Housing:LCP UL94V-0 Black
Terminal:Phosphor Bronze T=0.10
Cover:SUS304 T=0.10
 - Plating:
Terminal:
Contact Area:3u"Au
Solder Area:80u"tin Min
Underplating:Ni overall 50u"min
Cover:
Solder Area:Ni overall 50u"min
 - Technical Speciality:
Rated Voltage: 30V
Current Rating: 0.5A
Insulation Resistance:1000MΩ Min.
Contact Resistance:100mΩ Max.
Withstanding Voltage: 100V AC For 1 Minutes.
 - Mechanical&Environmental
Operating Temperature:-40℃ to +85℃
Durability:5000 cycles

P#.	PIN#.	Pin Assignment		
		NAME	TYPE	DESCRIPTION
P1	PIN1	DATA2	I/O	DATA LINE BIT2
P2	PIN2	CD/DATA3	I/O	DATA LINE BIT3
P3	PIN3	CMD	I/O	COMMAND/RESPONSE
P4	PIN4	VDD1	S	SUPPLY VOLTAGE (3.3V)
P5	PIN5	CLK	I	CLOCK
P6	PIN6	VSS	S	SUPPLY VOLTAGE GROUND
P7	PIN7	DATA/RCLK+	I/O	DATA LINE BIT0 RCLK+
P8	PIN8	DATA/RCLK-	I/O	DATA LINE BIT1 RCLK-
P9	CD PIN	CD		CARD DETECT
P15	PIN9	VDD2	S	SUPPLY VOLTAGE (1.8V)
P16	PIN17	SWIO	I	SINGLE WIRE PROTOCOL INTERFACE
P17	PIN10	VSS	S	SUPPLY VOLTAGE GROUND
P18	PIN11	DO+	I/O	UHS-II DO+
P19	PIN12	DO-	I/O	UHS-II DO-
P20	PIN13	VSS	S	SUPPLY VOLTAGE GROUND
P21	PIN14	D1-	I/O	UHS-II D1-
P22	PIN15	D1+	I/O	UHS-II D1+
P23	PIN16	VSS	S	SUPPLY VOLTAGE GROUND

P10、P11、P12、P13、P14 THEY ARE ALL GROUNDED IN IRON SHELLS AND HAVE NOTHING TO DO WITH ASSOCIATION REGULATIONS

Recommended P.C.B LAYOUT
TOP VIEW(TOLERANCE+/-0.05)

Opening/Close of Switch



MILLIMETERS X°. ±2° .X ±0.30 .XX ±0.20 .XXX ±0.10	INCH X°. ±2° .XX ±0.012 .XX ±0.008 .XXX ±0.004
---	--



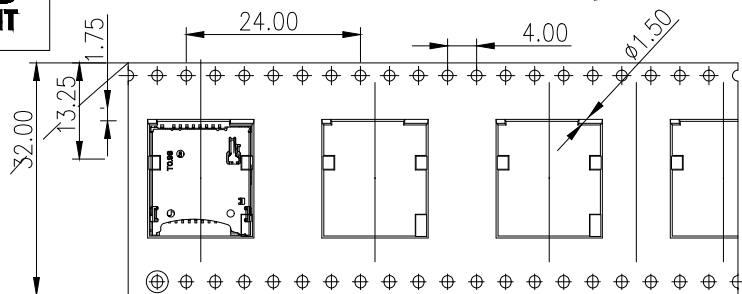
FOR YOUR VITAL CONNECTION

For technical support, please send an email to support@vitalconn.com

TITLE:	Micro SD 4.0 H2.25卡座客户图		
DRAWN BY:	Zou Long	PART NO:	VTC102031522
CHECKED BY:	Bob	SIZE: A4	UNIT:mm
APPROVED BY:	QPF	PROJECTION	SHEET:2 OF 3
			REV: A
			FCN: E1
			http://www.vitalconn.com



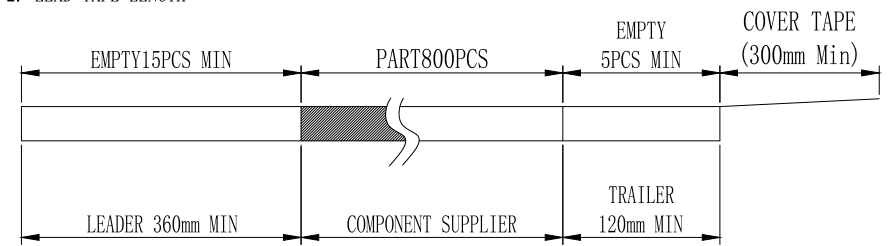
USER DIRECTION OF UNREELING



REV:	ECN. NO.	NAME	DATE

NOTES

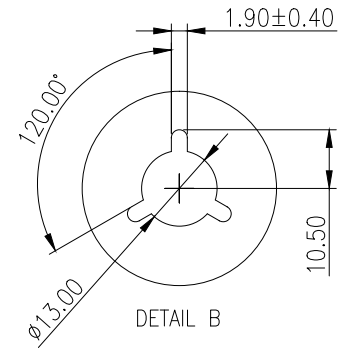
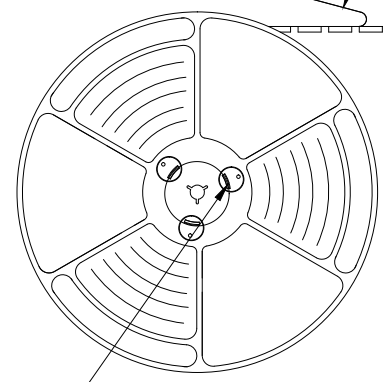
1. NUMBER OF CONNECTORS: 800PCS/REEL
2. LEAD TAPE LENGTH



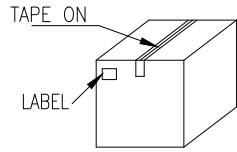
3. QUANTITY: 6400PCS/CARTON

COVER TAPE PEELING ANGLE: 165°~180°
PEELING FORCE: 20~130g

User Direction of Unreeling

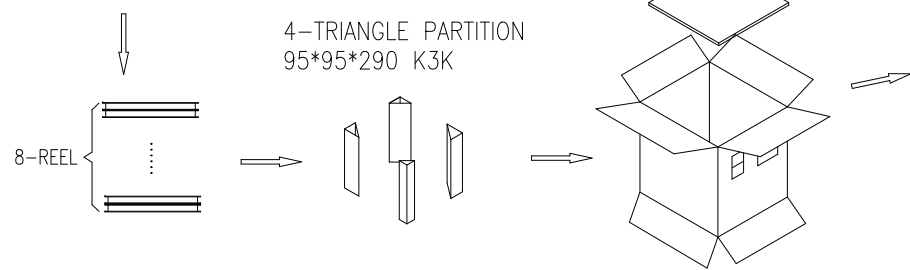


DETAIL B



CARTON
350*350*340 K=K

4-TRIANGLE PARTITION
95*95*290 K3K



MILLIMETERS	INCH	VITALCON a vital connector company		FOR YOUR VITAL CONNECTION	
X°. ± 2°	X°. ± 2°	TITLE:	Micro SD 4.0 H2.25卡座客户图		
.X ± 0.30	.XX ± 0.012	DRAWN BY:	Zou Long	PART NO:	VTC102031522
.XX ± 0.20	.XX ± 0.008	CHECKED BY:	Bob	SIZE: A4	UNIT:mm
.XXX ± 0.10	.XXX ± 0.004	APPROVED BY:	QPF	PROJECTION	SHEET: 3 OF 3
					FCN: E1
					http://www.vitalconn.com

For technical support, please send an email to support@vitalconn.com