

REV:	ECN. NO.	NAME	DATE

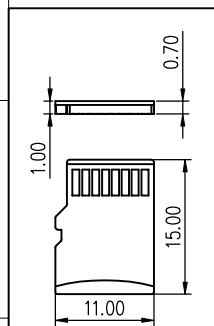
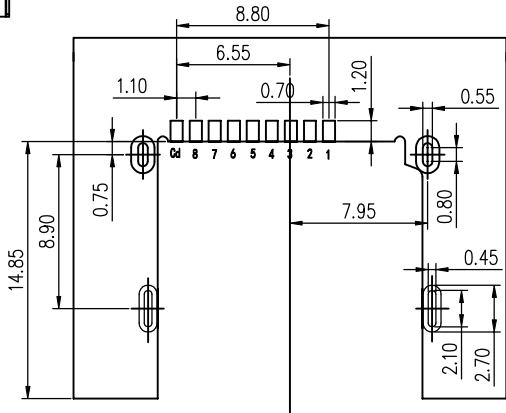
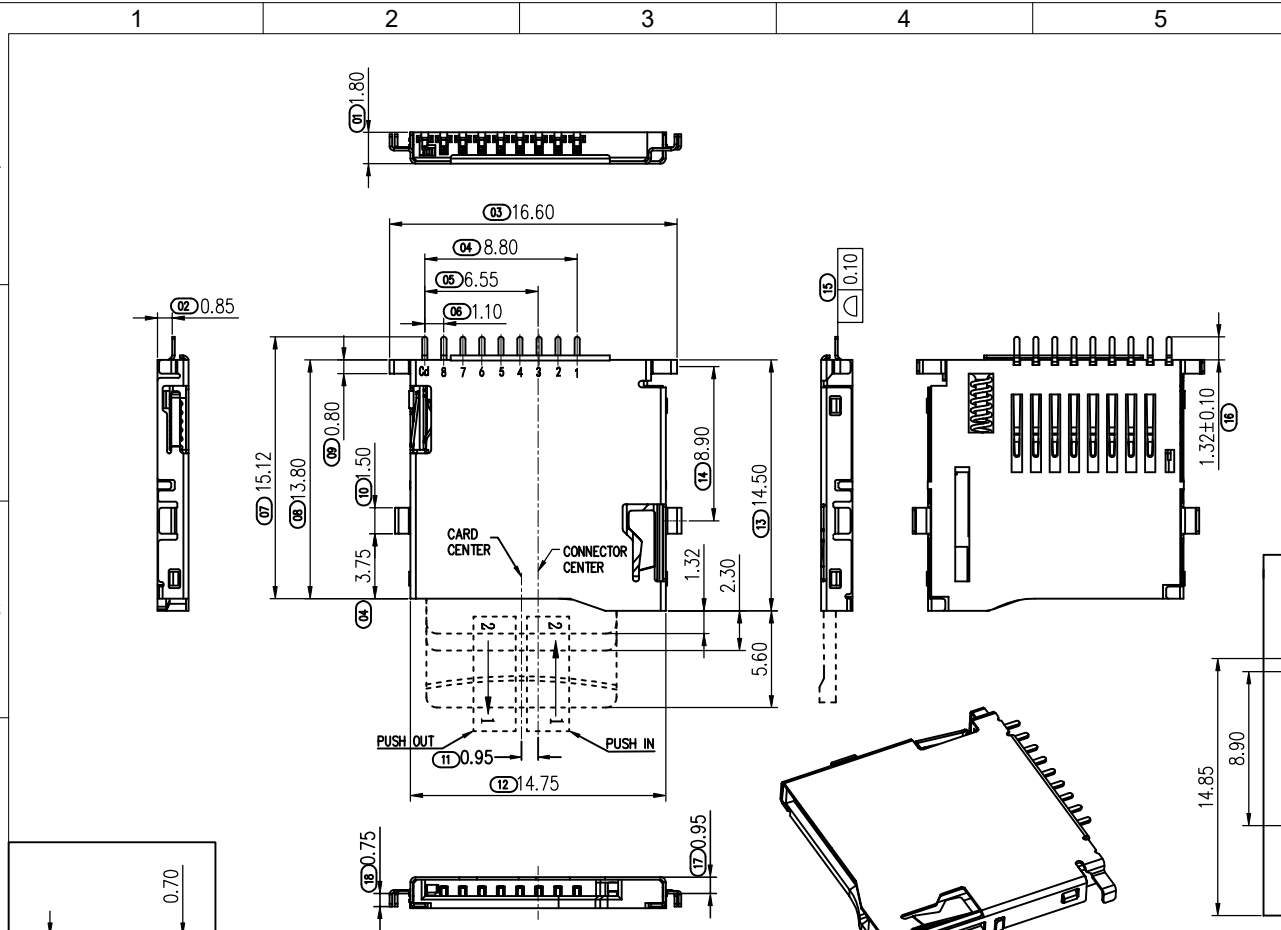
Specification

Material
 Plastic Housing: LCP 30%GF, UL94V-0, Black
 Contact Terminal: Phosphor Bronze, T=0.15mm
 Cover: SUS304, T=0.15mm

Plating:
 Contact Terminal
 Contact Area: Gold Flash
 Solder area: Tin 80u" min.
 Underplating: Ni overall 50u" min.
 Cover: Ni overall 30u" min.

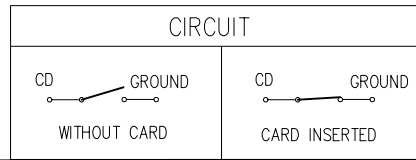
Electrical
 Voltage Rating: 30V max.
 Current Rating: 0.5A max.
 Dielectric Withstanding Voltage: 100V AC (60 Sec min.)
 Insulation Resistance: 1000 M Ω min.
 Contact Resistance: 100 m Ω max.

Mechanical & Environmental
 Operating Temperature: -40°C to +85°C
 Durability: 5000 cycles



PIN NO.	NAME	YTYPE	DESCRIPTION
1	DAT2	I/O/PP	DATE LINE(BIT2)
2	CD/DAT3	I/O/PP	CARD DETECT DATE LIN(BIT3)
3	CMD	PP	COMMAND RESPONSE
4	VDD	S	SUPPLY VOLTAGE
5	CLX	I	CLOCK
6	VSS	S	SUPPLY VOLTAGE GROUND
7	DAT0	I/O/PP	DATE LINE(BIT0)
8	DAT1	I/O/PP	DATE LINE(DIT1)

For technical support, please send an email to support@vitalconn.com



TOLERANCE UNSPECIFIED	.0 ±0.38
	.00 ±0.25
	.000 ±0.10
	ANGLE ±3.00°
MANUFACTURING COPY	

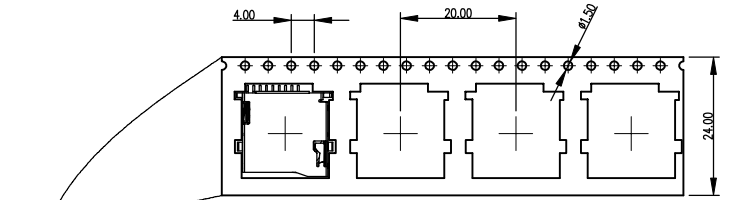


FOR YOUR VITAL CONNECTION

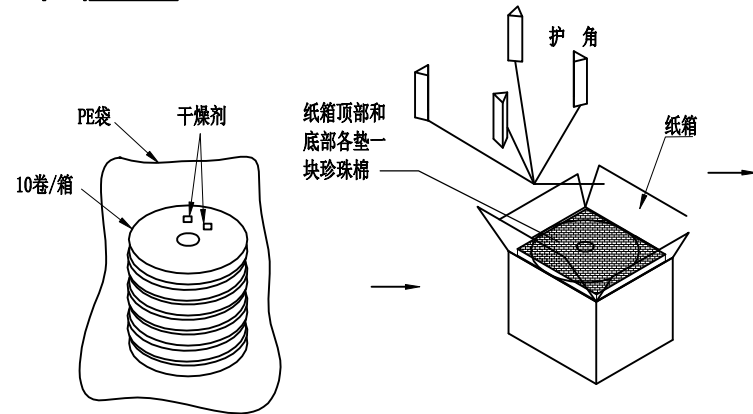
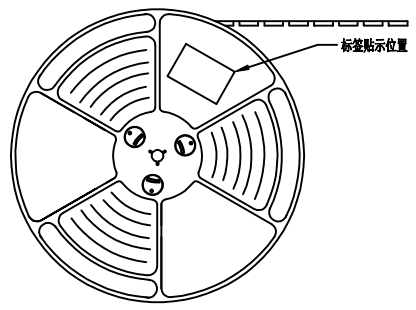
DRAWN BY: QSY	PART NO: VTC102011492	REV: A
CHECKED BY: VIT	SIZE: A4	SHEET: 2 OF 2
APPROVED BY: QPF	PROJECTION	FCN: E1
TITLE: TF 正向沉板0.85 (四个脚)DIP型卡座客户图		http://www.vitalconn.com

RoHS Compliant

7	8
REV:	ECN. NO.
NAME	DATE

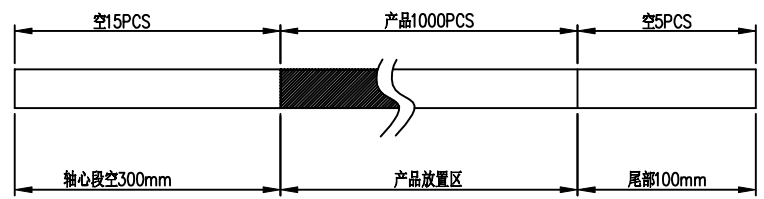


客户拉出方向

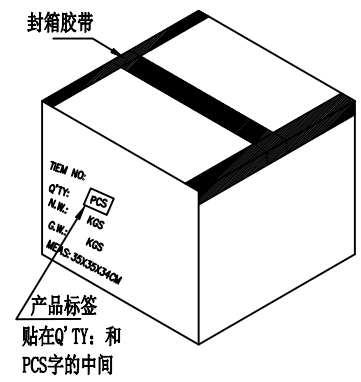


NOTES

1. 每卷包装数量:1000PCS/每卷
2. 卷带包装方式:



3. 每箱包装数量: 10000PCS/箱



RoHS Compliant

TOLERANCE UNSPECIFIED		 a vital connector company		FOR YOUR VITAL CONNECTION	
.0	±0.38			TITLE: TF 正向沉板0.85 (四个脚)DIP型卡座客户图	
.00	±0.25	PART NO: VTC102011492		REV: A	
.000	±0.10	CHECKED BY: VIT		SIZE: A4	UNIT:mm
ANGLE	±3.00°	APPROVED BY: QPF		PROJECTION	SHEET: 2 OF 2
MANUFACTURING COPY				FCN: E1	
				http://www.vitalconn.com	

For technical support, please send an email to support@vitalconn.com