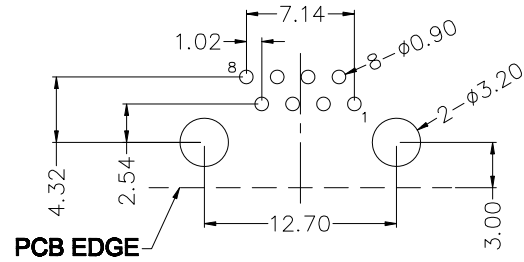


REV:	ECN. NO.	NAME	DATE

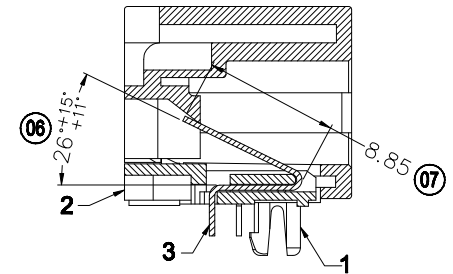
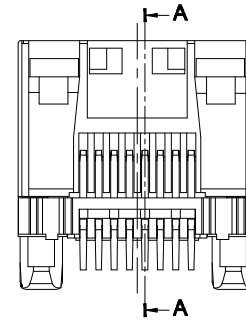
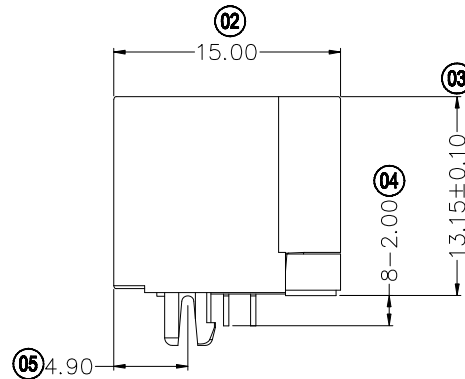
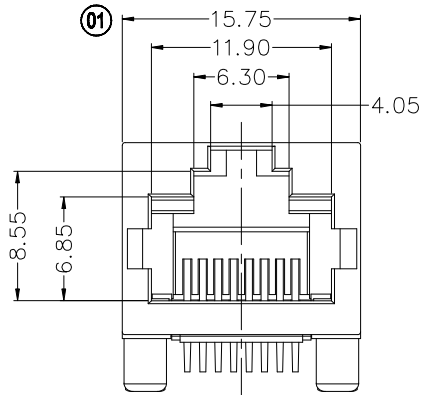


WAVE SOLDERING
RECOMMENDED PCB LAYOUT
TOP VIEW
TOLERANCE: ±0.05mm
PCB THICKNESS: 1.60±0.05mm

P/N: JU112A0XUXC7

HOUSING : P---PBT BLACK
 N---NY6T BLACK
 L---LCP BLACK

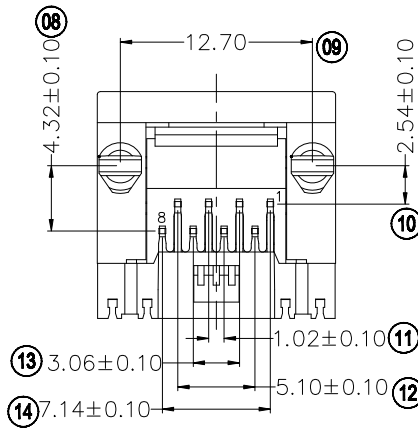
PLATING:
 1---GOLD PLATED 150"
 2---GOLD PLATED 30"
 3---GOLD PLATED 60"
 4---GOLD PLATED 150"



SEC-A-A
SCALE 2:1

備注:

1. 工作溫度: -20C°~+70C°
2. 額定電流: 1.5A (Max.)
3. 額定電壓: 150VAC (Max.)
4. 機械壽命: 耐久插拔1000次
5. 插拔力: 插入力30N Max, 拔出力30N Max
6. 接觸阻抗: 20mΩ (Max.)
7. 絕緣阻抗: 500MΩ (Min.)
8. 介質耐壓: 端子與端子之間1000V AC持續1分鐘, 無閃斷和絕緣損壞;
9. 標 "XX" 尺寸為重點尺寸, 必須保證



RoHS Compliant

TOLERANCE UNSPECIFIED				FOR YOUR VITAL CONNECTION	
.0	±0.38				
.00	±0.25	TITLE:		RJ45, Horizontal, 1X1 Ports, THT	
.000	±0.10	PART NO:		JU112A0XUXC7	
ANGLE	±3.00°	DRAWN BY:		Zou Long	
MANUFACTURING COPY		CHECKED BY:		Bob	
DRAWN BY:		APPROVED BY:		QPF	
SIZE: A4		PROJECTION			
UNIT:mm		SHEET: 1 OF 1		FCN: C7	
http://www.vitalconn.com		REV: A			