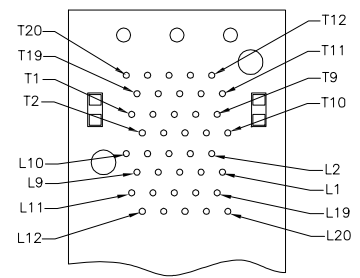
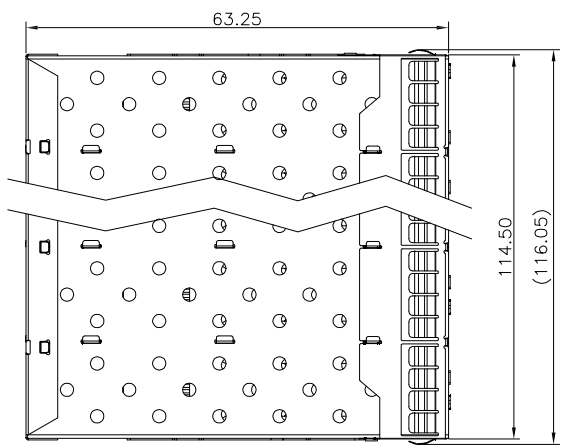


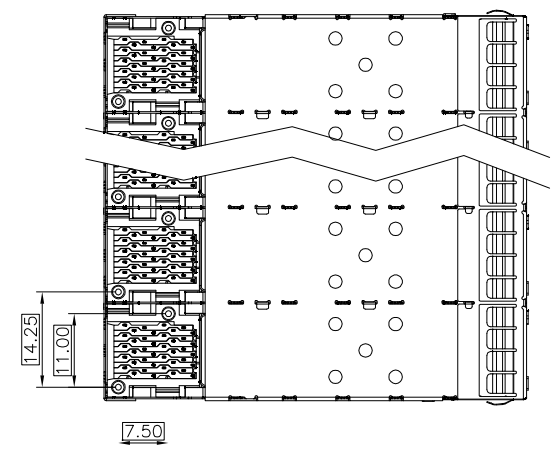
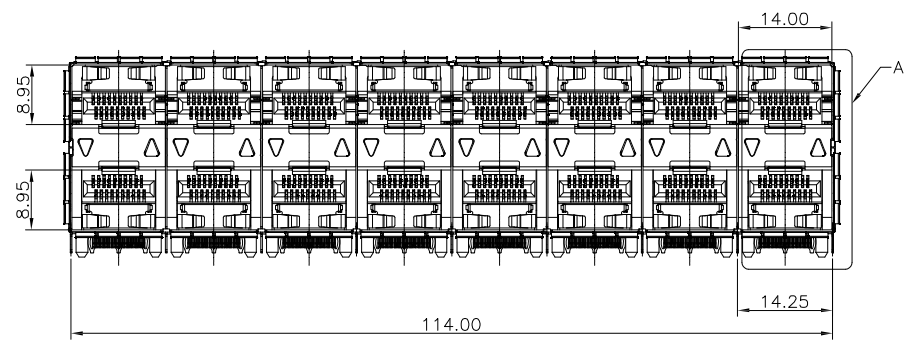
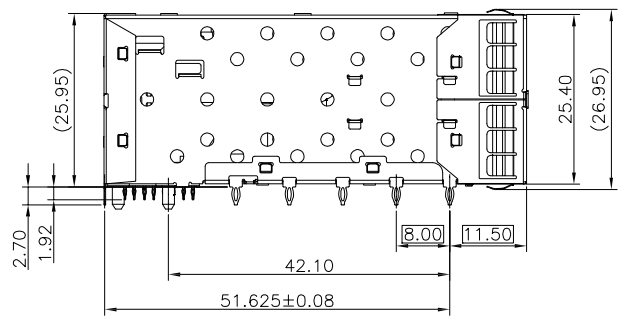
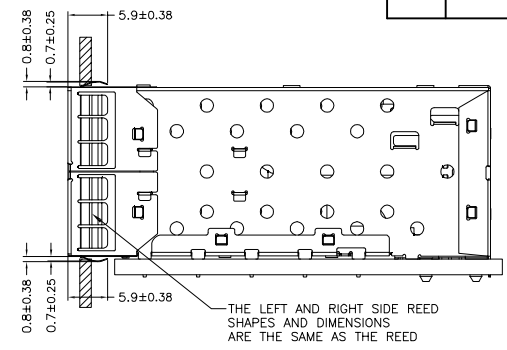
REV.	ECN. NO.	NAME	DATE

A
B
C
D
E
F

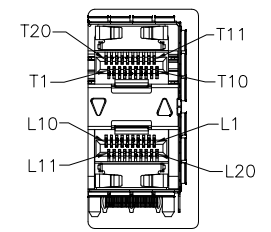
A
B
C
D
E
F



CONNECTOR PIN-OUT
COMPONENT SIDE OF BOARD



NOTES:
MATERIAL:
CAGE: COPPER ALLOY
CONNECTOR:
PLASTIC HOUSING: HIGH TEMPERATURE LCP, UL94 V-0.
LIGHT PIPE: POLYCARBONATE; COLOR: CLEAR
SPRING: STAINLESS STEEL
CONTACTS: PHOSPHOR BRONZE
CONTACT PLATING: 15u" MIN. GOLD ON MATING AREA,
150u" MATTE TIN ON SOLDER TAILS
PACKAGING: TRAY PACKAGING.
OPERATING TEMPERATURE: -40°C TO +85°C
STORAGE TEMPERATURE: -55°C TO +105°C



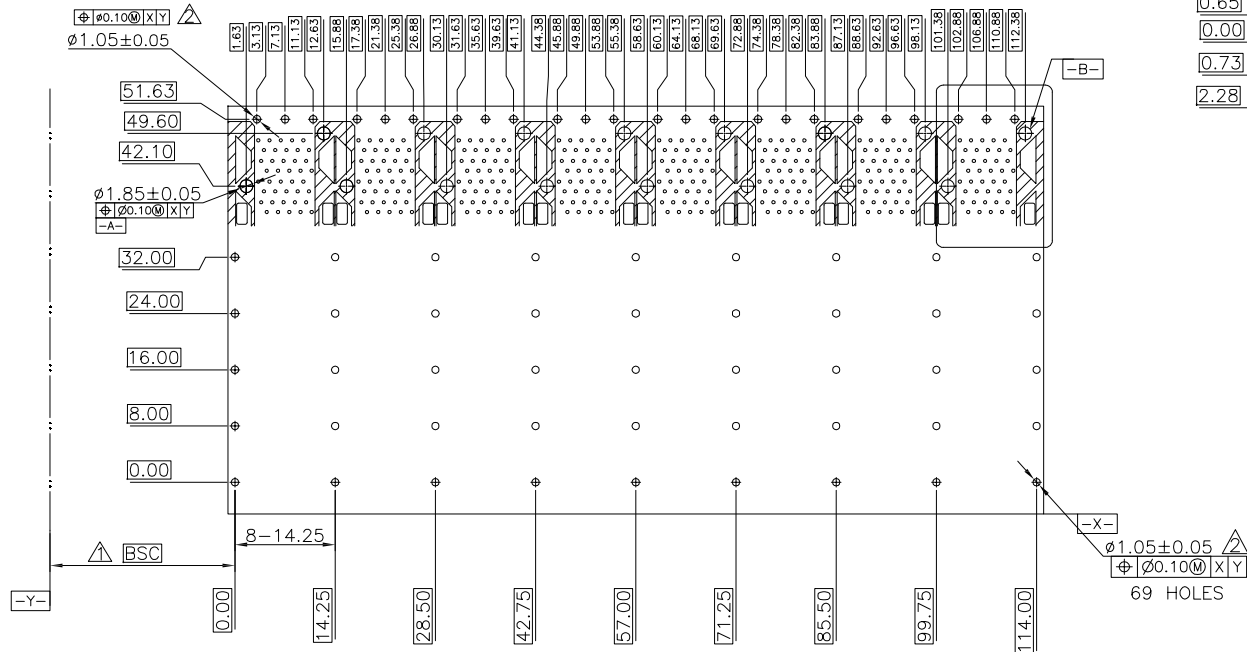
DETAIL A 1:1
DETAIL A 1:1

TOLERANCE UNSPECIFIED				FOR YOUR VITAL CONNECTION	
.0	± 0.38				
.00	± 0.25	TITLE: SFP+2*8 CAGE+CONN			
.000	± 0.10				
ANGLE	± 3.00°	DRAWN BY: BECKER		PART NO: SN28B	
MANUFACTURING COPY		CHECKED BY: VTA		SIZE: A4	
DRAWN BY: QPF		APPROVED BY: QPF		PROJECTION	
				UNIT: mm	
				SHEET: 10F3	
				REV: A	
				FCN: A4	
				http://www.vitalconn.com	

RoHS Compliant

1 2 3 4 5 6 7 8

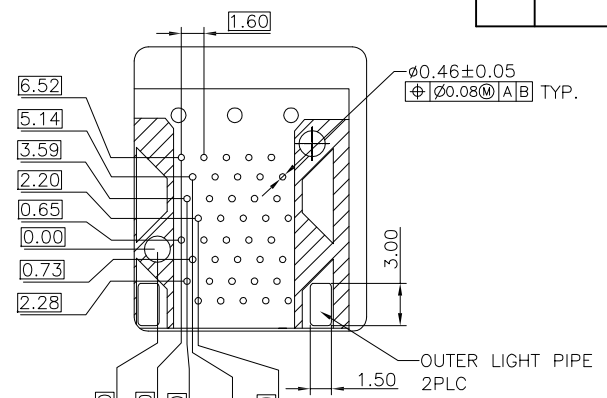
REV.	ECN. NO.	NAME	DATE



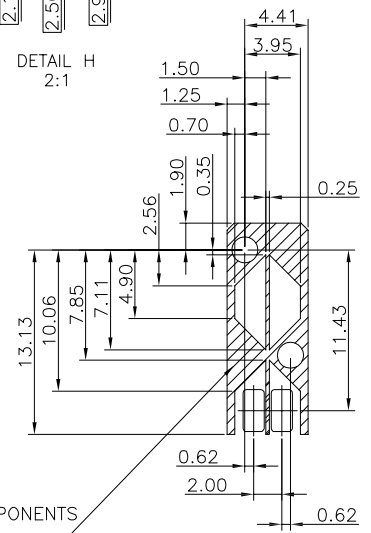
RECOMMENDED PCB CONFIGURATION

- NOTES:
- DATUM AND BASIC DIMENSIONS ESTABLISHED BY CUSTOMER.
 - 1.05 mm DIAMETER HOLES ARE CHASSIS GROUND.

THE ENTIRE AREA OF THE CONNECTOR FOOTPRINT TO BE CONSIDERED THE KEEP OUT AREA FOR COMPONENTS (OTHER THAN LIGHT PIPE LE'S) THIS AREA IS INDICATED BY THE DASHED LINE



DETAIL H
2:1

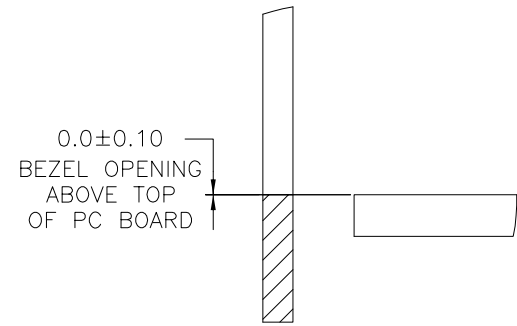
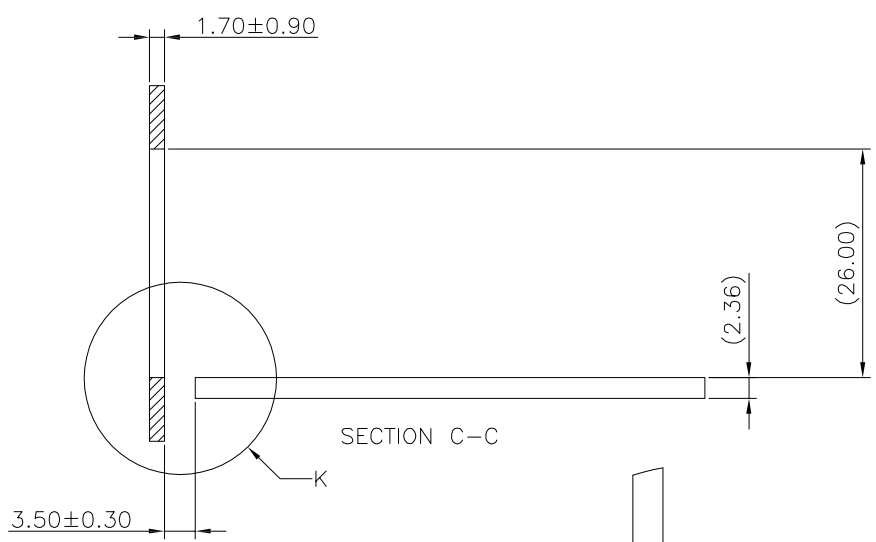
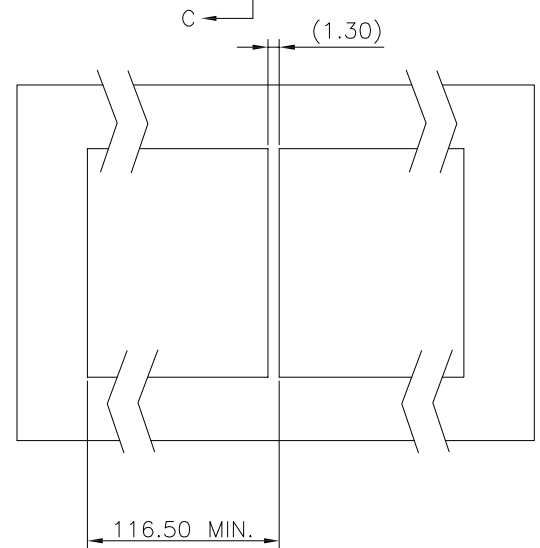
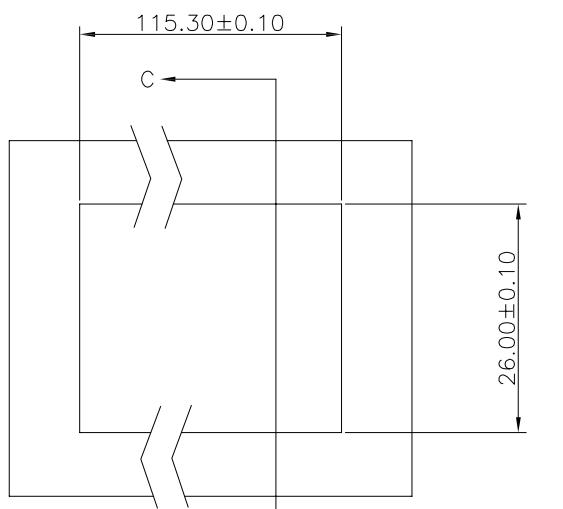



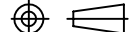
DETAIL LIGHT PIPE LOCATION AND OTHER ZONES
DETAIL K
2:1

RoHS Compliant

TOLERANCE UNSPECIFIED		 a vital connector company		FOR YOUR VITAL CONNECTION	
.0	± 0.38			TITLE: SFP+2*8 CAGE+CONN	
.00	± 0.25	DRAWN BY: BECKER	PART NO: SN28B	REV: A	
.000	± 0.10	CHECKED BY: VTA	SIZE: A4	UNIT: mm	SHEET: 20F3
ANGLE	± 3.00°	APPROVED BY: QPF	PROJECTION	FCN: A4	
MANUFACTURING COPY				 http://www.vitalconn.com	

REV.	ECN. NO.	NAME	DATE



TOLERANCE UNSPECIFIED		 a vital connector company		FOR YOUR VITAL CONNECTION	
.0	± 0.38			TITLE: SFP+2*8 CAGE+CONN	
.00	± 0.25	DRAWN BY:	BECKER	PART NO:	SN28B
.000	± 0.10	CHECKED BY:	VTA	SIZE: A4	UNIT: mm
ANGLE	± 3.00°	APPROVED BY:	QPF	PROJECTION	
MANUFACTURING COPY		SHEET:30F3		FCN: A4	
		http://www.vitalconn.com			

RoHS Compliant