

REV.	ECN. NO.	NAME	DATE

NOTES:

MATERIAL:

CAGE: NICKEL SILVER

CONNECTOR:

PLASTIC HOUSING: HIGH TEMPERATURE LCP, UL94 V-0.

LIGHT PIPE: POLYCARBONATE; COLOR: CLEAR

SPRING: STAINLESS STEEL

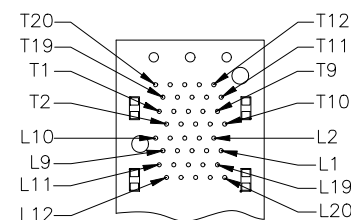
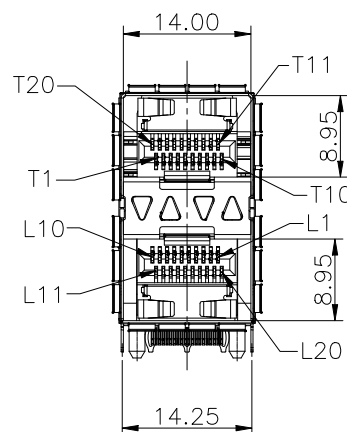
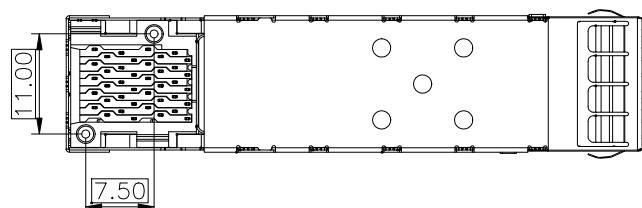
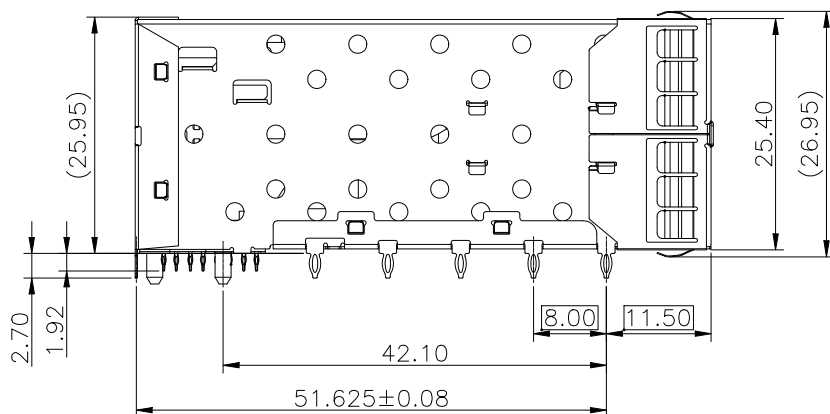
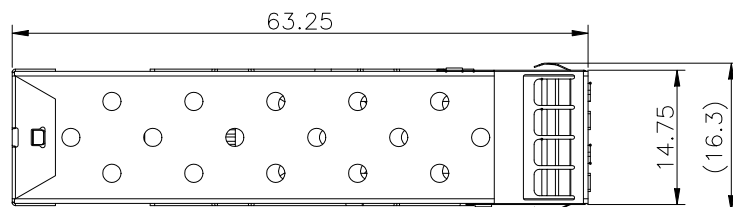
CONTACTS: PHOSPHOR BRONZE

CONTACT PLATING: 15u" MIN. GOLD ON MATING AREA,

150u" MATTE TIN ON SOLDER TAILS


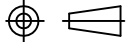
PACKAGING: TRAY PACKAGING.

TEMPERATURE RANGE: -40°C TO +85°C

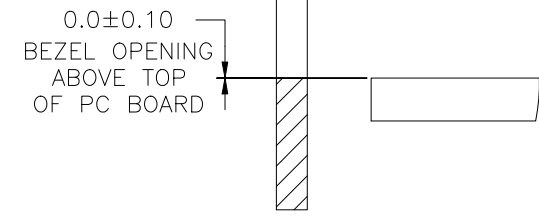
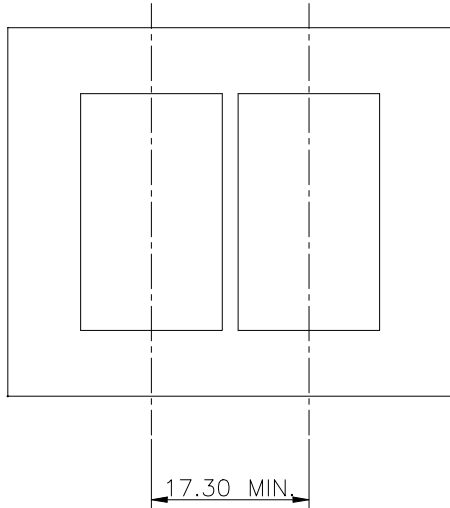
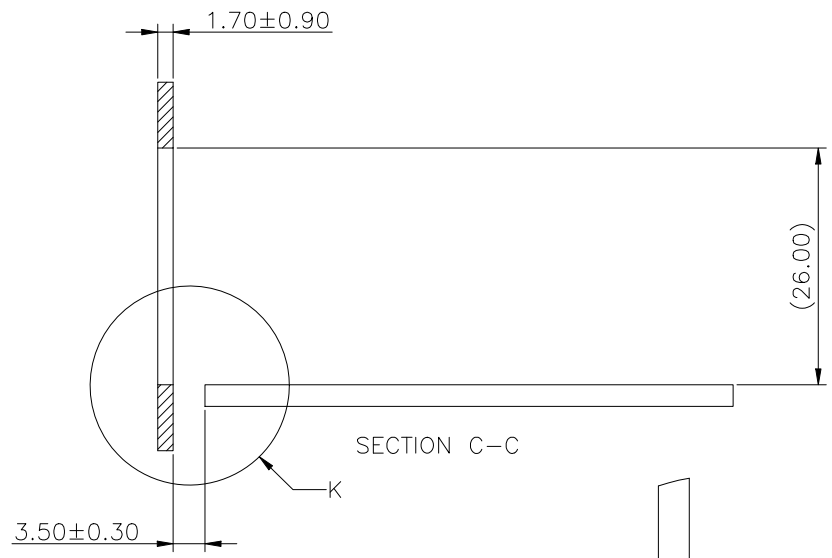
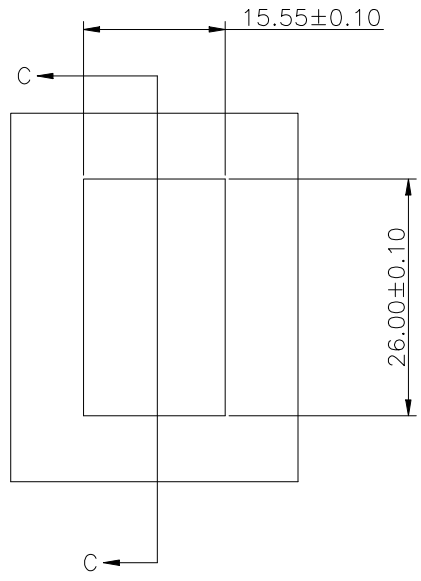


CONNECTOR PIN-OUT
COMPONENT SIDE OF BOARD


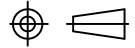
RoHS Compliant

TOLERANCE UNSPECIFIED		 a vital connector company		FOR YOUR VITAL CONNECTION	
.0	± 0.38			TITLE: SFP+2*1CAGE+ CONN	
.00	± 0.25	DRAWN BY: BECKER		PART NO: SN212	REV: A
.000	± 0.10	CHECKED BY: VTA		SIZE: A4	UNIT:mm
ANGLE	± 3.00°	APPROVED BY: QPF		PROJECTION	SHEET:10F3
MANUFACTURING COPY				http://www.vitalconn.com	

REV.	ECN. NO.	NAME	DATE



RoHS Compliant

TOLERANCE UNSPECIFIED		 a vital connector company		FOR YOUR VITAL CONNECTION	
.0	± 0.38			TITLE: SFP+2*1CAGE+ CONN	
.00	± 0.25	DRAWN BY:	BECKER	PART NO:	SN212
.000	± 0.10	CHECKED BY:	VTA	SIZE: A4	UNIT:mm
ANGLE	± 3.00°	APPROVED BY:	QPF	PROJECTION	
MANUFACTURING COPY				http://www.vitalconn.com	
				SHEET:30F3	
				FCN: A4	
				REV: A	

1 2 3 4 5 6 7 8

A

A

B

B

C

C

D

D

E

E

F

F

1 2 3 4 5 6 7 8