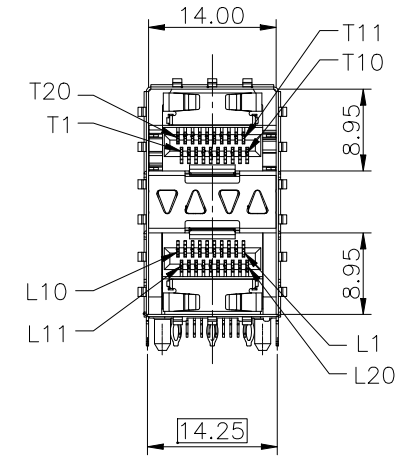
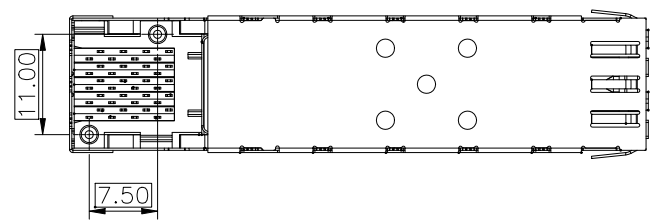
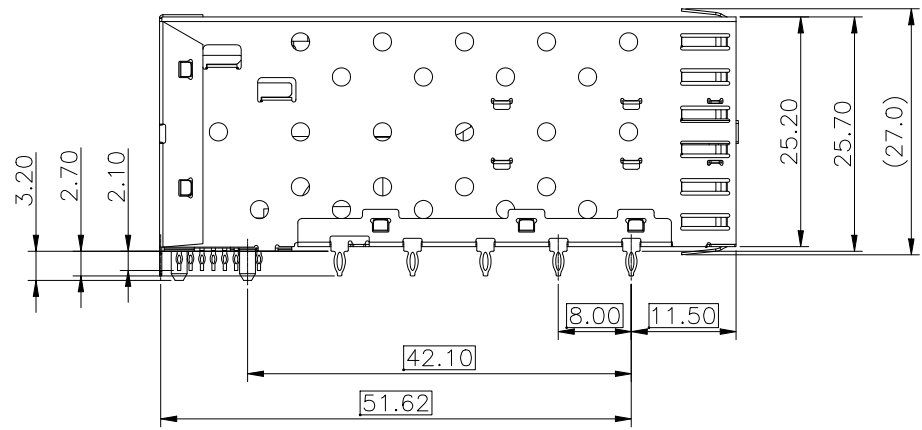
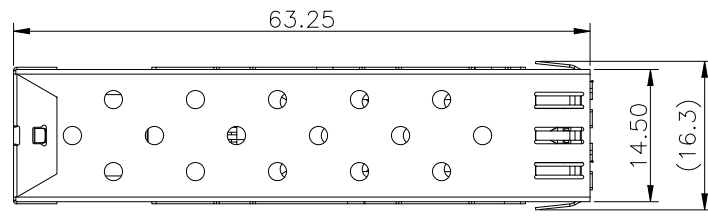


REV.	ECN. NO.	NAME	DATE




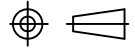
NOTES:

MATERIAL:
 CAGE: NICKEL SILVER, THICKNESS 0.25mm
 CONNECTOR:
 PLASTIC HOUSING: HIGH TEMPERATURE LCP, UL94 V-0.
 SPRING: STAINLESS STEEL, THICKNESS 0.20mm
 CONTACTS: PHOSPHOR BRONZE, THICKNESS 0.20mm
 PLATING: 15 μ " MIN. GOLD ON MATING AREA,
 150 μ " MIN. MATE TIN ON SOLDER TAILS.

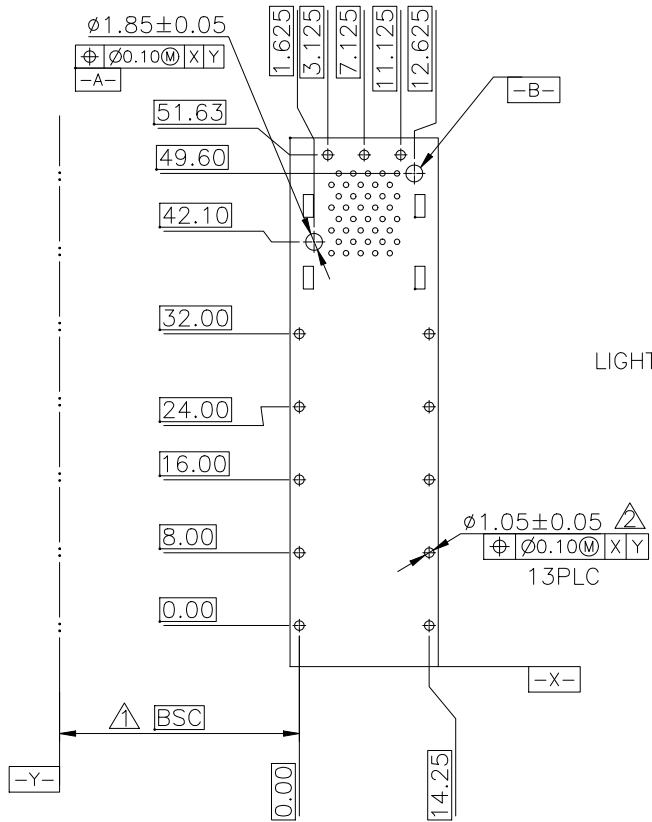
PACKAGING: TRAY PACKAGING.

TEMPERATURE RANGE: -40°C TO +85°C

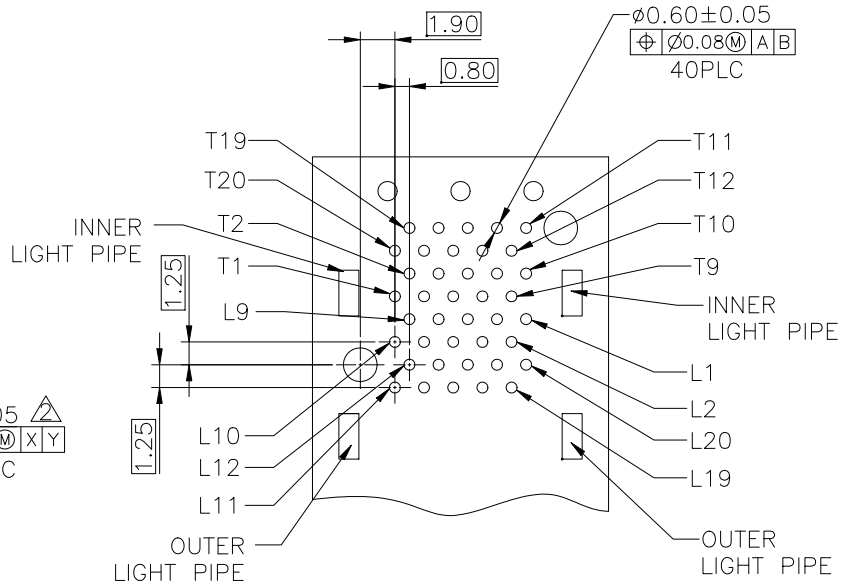
RoHS Compliant

TOLERANCE UNSPECIFIED		 a vital connector company		FOR YOUR VITAL CONNECTION	
.0	± 0.38			TITLE: SFP2*1 CAGE+CONN	
.00	± 0.25	DRAWN BY: BECKER		PART NO: SC212	
.000	± 0.10	CHECKED BY: VTA		SIZE: A4	
ANGLE	± 3.00°	APPROVED BY: QPF		UNIT:mm	
MANUFACTURING COPY		PROJECTION		SHEET:10F3	
				REV: A	
				FCN: A4	
				 http://www.vitalconn.com	

REV.	ECN. NO.	NAME	DATE




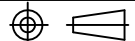
RECOMMENDED PCB CONFIGURATION



NOTES:

1. DATUM AND BASIC DIMENSIONS ESTABLISHED BY CUSTOMER.
2. 1.05 mm DIAMETER HOLES ARE CHASSIS GROUND .

RoHS Compliant

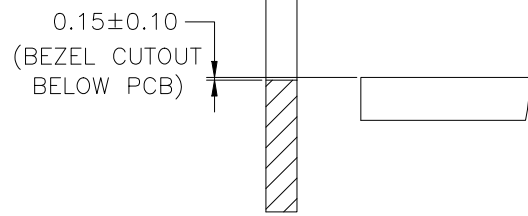
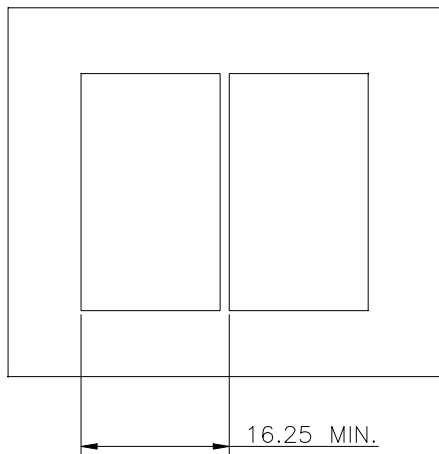
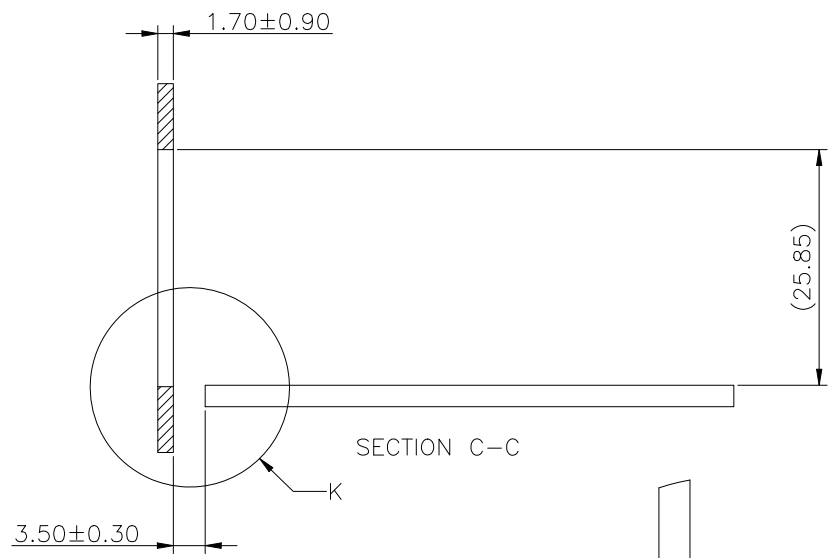
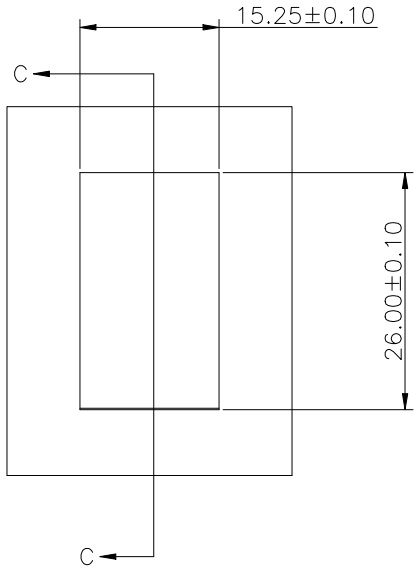
TOLERANCE UNSPECIFIED		 a vital connector company		FOR YOUR VITAL CONNECTION	
.0	± 0.38			TITLE: SFP2*1 CAGE+CONN	
.00	± 0.25	DRAWN BY: BECKER	PART NO: SC212	REV: A	
.000	± 0.10	CHECKED BY: VTA	SIZE: A4	UNIT:mm	SHEET:20F3
ANGLE	± 3.00°	APPROVED BY: QPF	PROJECTION		FCN: A4
MANUFACTURING COPY				http://www.vitalconn.com	

1 2 3 4 5 6 7 8

A B C D E F

1 2 3 4 5 6 7 8

REV.	ECN. NO.	NAME	DATE



RoHS Compliant

TOLERANCE UNSPECIFIED		VITALCONN a vital connector company		FOR YOUR VITAL CONNECTION	
.0	± 0.38			TITLE: SFP2*1 CAGE+CONN	
.00	± 0.25	DRAWN BY:	BECKER	PART NO:	SC212
.000	± 0.10	CHECKED BY:	VTA	SIZE: A4	UNIT:mm
ANGLE	± 3.00°	APPROVED BY:	QPF	PROJECTION	
MANUFACTURING COPY				SHEET:30F3	
				REV: A	
				FCN: A4	
				http://www.vitalconn.com	