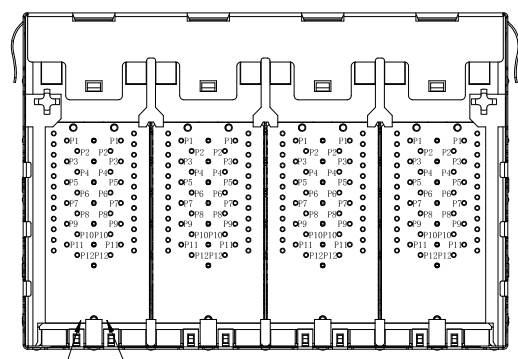
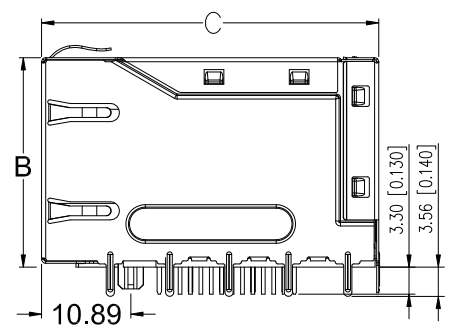
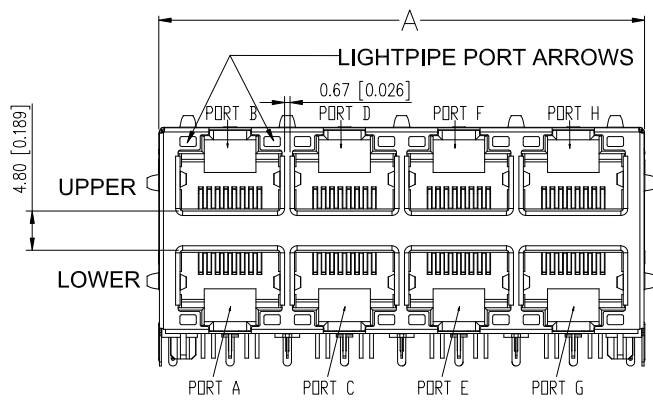


| REV: | ECN. NO. | NAME | DATE |
|------|----------|------|------|
| | | | |
| | | | |

1. Mechanical Dimension and Notes:
1-1. Mechanical Dimension:



UNIT : mm / inch
A = 59.31 / 2.335
B = 25.58 / 1.007
C = 41.16 / 1.620

1-2. Notes:

- CONNECTOR MATERIAL:
HOUSING:LCP BLACK UL94 V-0
INSERT:PA46 BLACK UL94 V-0
SHIELD:Brass
SHIELD PLATING:NICKEL
CONTACT:PHOSPHOR BRONZE
CONTACT PLATING: GOLD,30 MICRO-INCHS MIN IN CONTACT AREA
- PIN NOT ELECTRICALLY CONNECTED MAYBE OMITTED SEE ELECTRICAL DRAWING
FOR OMITTED PINS
- RJ45 CAVITIES CONFORM TO FCC RULES AND REGULATION PART 68.
- THE PART IS RECOMMENDED FOR WAVE SOLDERING PROCESS PEAK SOLDERING
TEMPERATURE IS 260° C MAX,10 SECS MAX
- OPERATING TEMPERATURE T=-40°C TO +85°C.
- STORAGE TEMPERATURE T=-40°C TO +85°C.
- MAXIMUM SMT LED HEIGHT SHOULD NOT EXCEED 1.1mm.

RoHS Compliant

Unless otherwise specified,all dimensions tolerances is $\pm 0.254 / 0.010$.

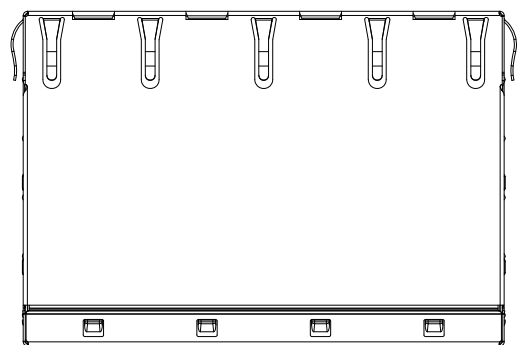
| | | | | | |
|---|------------------------|--|---|---------------------------|--|
| TOLERANCE UNSPECIFIED .0 ± 0.38 .00 ± 0.25 .000 ± 0.10 ANGLE $\pm 3.00^\circ$ | | VITALCON a vital connector company | | FOR YOUR VITAL CONNECTION | |
| MANUFACTURING COPY | | TITLE: RJ45 ICM 10G Base-T | | | |
| DRAWN BY: Zou Long | PART NO: J24DT1P06DLA6 | REV: A | | FCN: A6 | |
| CHECKED BY: Bob | SIZE: A4 | UNIT:mm | SHEET:1 OF5 | FCN: A6 | |
| APPROVED BY: QPF | PROJECTION | | http://www.vitalconn.com | | |

| REV: | ECN. NO. | NAME | DATE |
|------|----------|------|------|
| | | | |
| | | | |

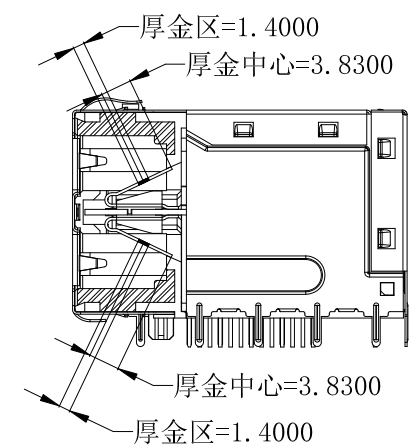
2. Label and Recommended PWB Layout and Suggested Panel Opening:

2-1. Label:

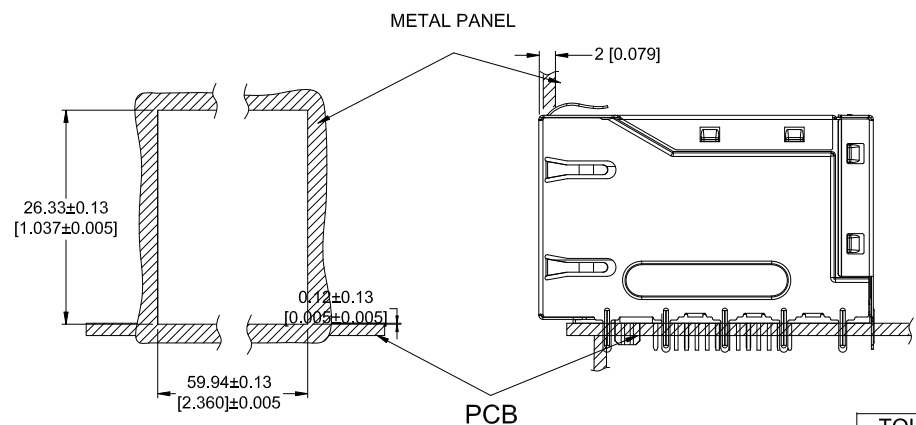
Plug In Side



2-3. RJ Terminal Gold-Plated Area Graphic:



2-2. Suggested Panel Opening:



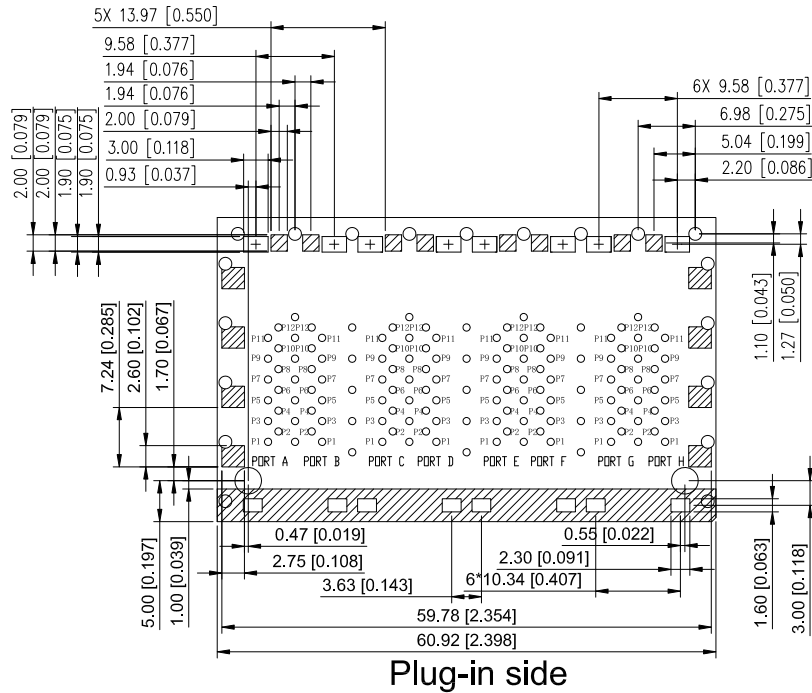
UNIT: mm / inch
Tolerances: ±0.10 / 0.004

RoHS Compliant

| | | | | | |
|--|----------|--|---------------|------------------------------|---------|
| TOLERANCE UNSPECIFIED .0 ±0.38 .00 ±0.25 .000 ±0.10 ANGLE ±3.00° MANUFACTURING COPY | | VITALCON a vital connector company | | FOR YOUR VITAL CONNECTION | |
| TITLE: | | RJ45 ICM 10G Base-T | | | |
| DRAWN BY: | Zou Long | PART NO: | J24DT1P06DLA6 | REV: A | |
| CHECKED BY: | Bob | SIZE: A4 | UNIT:mm | SHEET: 2 OF 5 | FCN: A6 |
| APPROVED BY: | QPF | PROJECTION | | http://www.vitalconn.com | |


| | | | |
|------|----------|------|------|
| | | | |
| REV: | ECN. NO. | NAME | DATE |
| | | | |
| | | | |

2-4. Keep-Out Area (Component Side View):



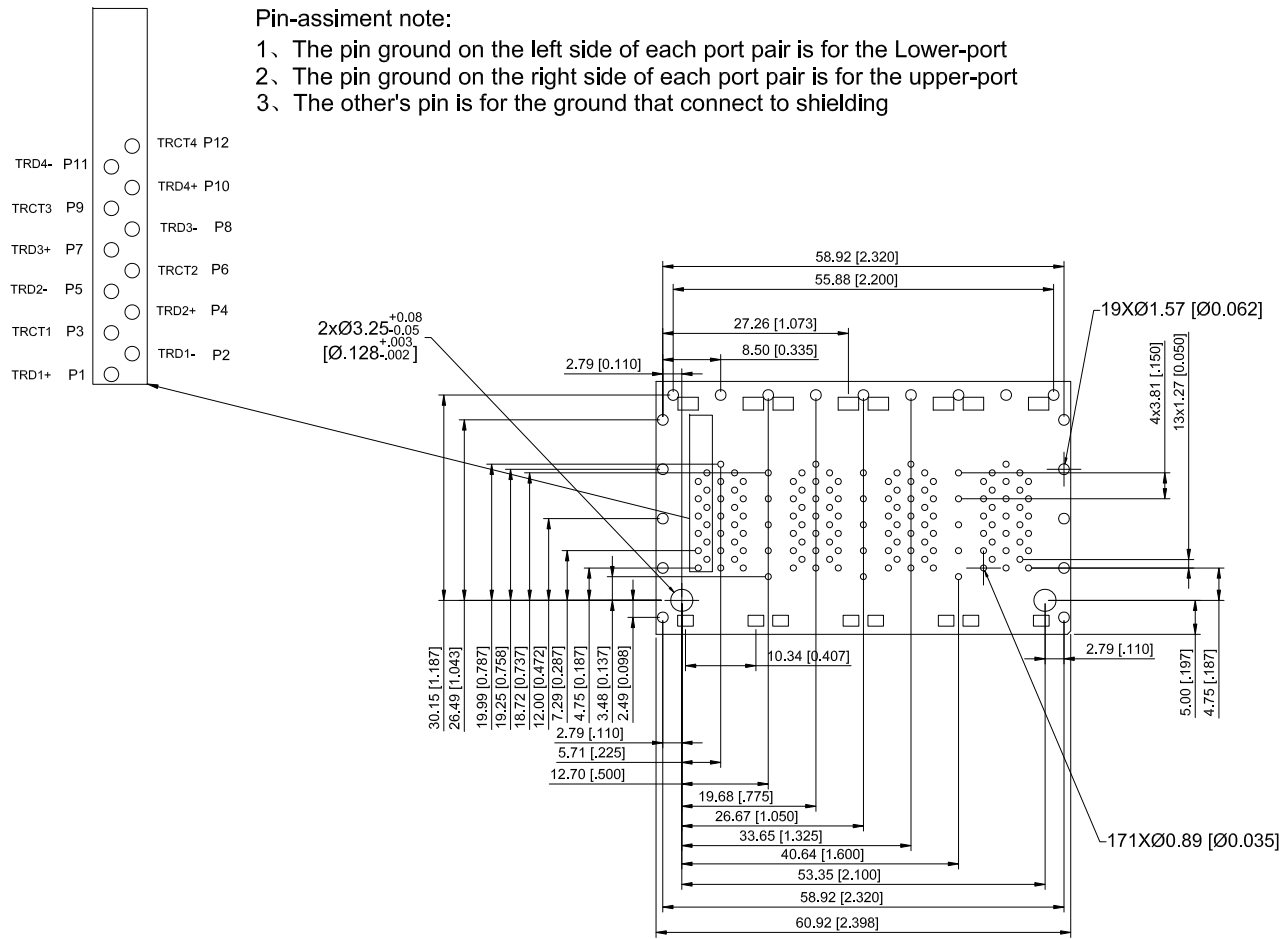
UNIT: mm / inch
 Tolerances: ± 0.10 / 0.004

RoHS Compliant

| | | | | | |
|------------------------|------------|---|--|-----------------------------------|--|
| TOLERANCE UNSPECIFIED | |  VITALCON a vital connector company | | FOR YOUR VITAL CONNECTION | |
| .0 | ± 0.38 | | | TITLE: RJ45 ICM 10G Base-T | |
| .00 | ± 0.25 | DRAWN BY: Zou Long | | PART NO: J24DT1P06DLA6 | |
| .000 | ± 0.10 | CHECKED BY: Bob | | REV: A | |
| ANGLE $\pm 3.00^\circ$ | | APPROVED BY: QPF | | SIZE: A4 | |
| MANUFACTURING COPY | | PROJECTION | | UNIT:mm | |
| | | | | SHEET: 3 OF 5 | |
| | | | | FCN: A6 | |
| | | | | http://www.vitalconn.com | |

2-5. Recommended PWB Layout (Component Side View):

| | | | |
|------|----------|------|------|
| REV: | ECN. NO. | NAME | DATE |
| | | | |



Pin-assiment note:

1. The pin ground on the left side of each port pair is for the Lower-port
2. The pin ground on the right side of each port pair is for the upper-port
3. The other's pin is for the ground that connect to shielding

| | | |
|-----------|---|-----------|
| TRD4- P11 | ○ | TRCT4 P12 |
| TRD4+ P10 | ○ | TRD4+ P10 |
| TRD3- P9 | ○ | TRD3- P8 |
| TRD3+ P7 | ○ | TRCT2 P6 |
| TRD2- P5 | ○ | TRD2+ P4 |
| TRCT1 P3 | ○ | TRD1- P2 |
| TRD1+ P1 | ○ | |

Plug-in side

UNIT: mm / inch
Tolerances: ±0.10 / 0.004

| | |
|-----------------------|--------|
| TOLERANCE UNSPECIFIED | |
| .0 | ±0.38 |
| .00 | ±0.25 |
| .000 | ±0.10 |
| ANGLE | ±3.00° |
| MANUFACTURING COPY | |



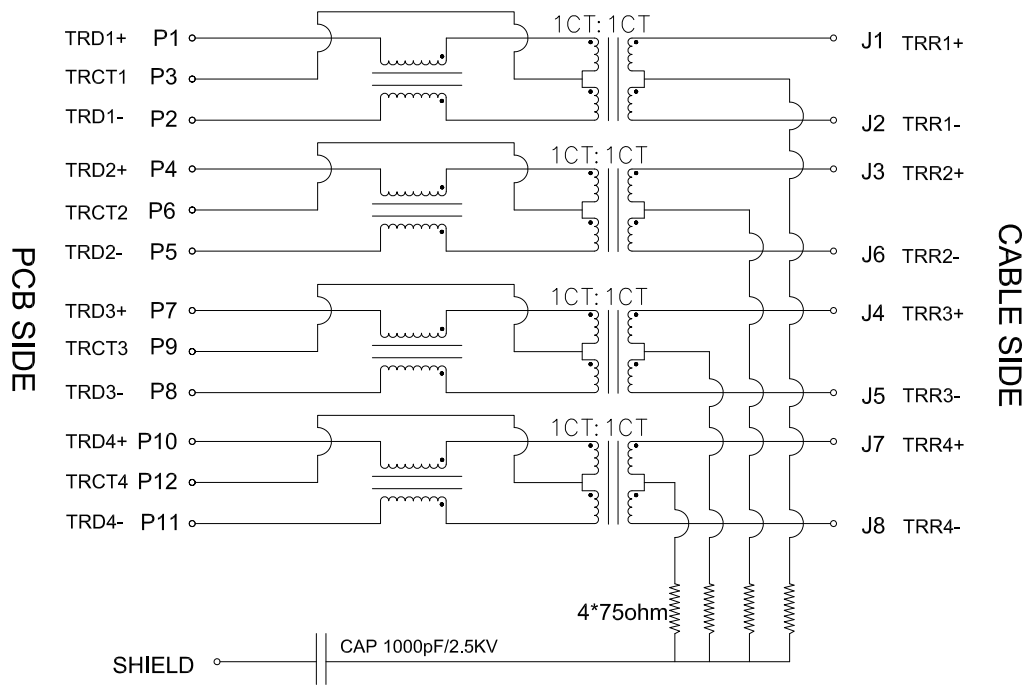
FOR YOUR VITAL CONNECTION

| | | | | |
|--------------|----------|---------------------|---|-----------------------|
| TITLE: | | RJ45 ICM 10G Base-T | | |
| DRAWN BY: | Zou Long | PART NO: | J24DT1P06DLA6 | REV: A |
| CHECKED BY: | Bob | SIZE: A4 | UNIT:mm | SHEET: 4 OF 5 FCN: A6 |
| APPROVED BY: | QPF | PROJECTION | http://www.vitalconn.com | |

RoHS Compliant

| | | | |
|------|----------|------|------|
| 7 | | 8 | |
| REV: | ECN. NO. | NAME | DATE |
| | | | |
| | | | |

3. Circuit Schematic and Electrical Specifications:
3-1. Circuit Schematic:



3-2. Electrical Specifications:

| PARAMETER | SPECIFICATIONS | | |
|--|-----------------------------|--------------------------|-------------|
| URNS RATIO | 1.00 ± 2% | | |
| POLARITY | PER SCHEMATIC | | |
| INSERTION LOSS | 100 KHz | 1-400 MHz | |
| | -3.0 dB MAX | -2.0 dB MAX (-1.4dB TYP) | |
| RETURN LOSS (Z OUT=100 OHM ±1%) | 1-100 MHz | 100 MHz-500 MHz | |
| | -22 dB MIN | -22 + 20.75*LOG(f/100) | |
| INDUCTANCE (OCL) | 180 uH MIN @ 100 KHz 100 mV | | |
| CROSSTALK, ADJACENT CHANNELS | 1-100 MHz | 100-500 MHz | |
| | -28 dB MIN | -19 dB MIN | |
| COMMON MODE REJECTION RATIO | 1-40 MHz | 40-100 MHz | 100-500 MHz |
| | -30 dB MIN | -28 dB MIN | -26 dB MIN |
| COMMON TO DIFFERENTIAL MODE REJECTION (CDMR) | 1-250 MHz | 250-500 MHz | |
| | -30 dB MIN | -22 dB MIN | |
| INPUT - OUTPUT ISOLATION | 2250 VDC MIN @ 60 SECONDS | | |

NOTE: f IS FERQUENCY IN MHZ.
100% OF PRODUCTION TESTED TO COMPLY WITH IEEE 802.3 ISOLATION REQUIREMENTS.

RoHS Compliant

| | | | | | |
|-----------------------|--------|--------------------|--|---|--|
| TOLERANCE UNSPECIFIED | | | | FOR YOUR VITAL CONNECTION | |
| .0 | ±0.38 | | | TITLE: RJ45 ICM 10G Base-T | |
| .00 | ±0.25 | DRAWN BY: Zou Long | | PART NO: J24DT1P06DLA6 | |
| .000 | ±0.10 | CHECKED BY: Bob | | REV: A | |
| ANGLE | ±3.00° | APPROVED BY: QPF | | SIZE: A4 | |
| MANUFACTURING COPY | | PROJECTION | | UNIT:mm | |
| | | | | SHEET: 5 OF 5 | |
| | | | | FCN: A6 | |
| | | | | | |
| | | | | http://www.vitalconn.com | |