

## Approval Sheet

CUSTOMER: \_\_\_\_\_

CUSTOMER P/N: \_\_\_\_\_

VITALCONN P/N: J11VH5003NE4

REV: A

SPEC NO. RVA-0056

DESCRIPTION: RJ45 1X1 Vertical

10/100 Base-TX

Contact Area: 6 $\mu$ " Gold

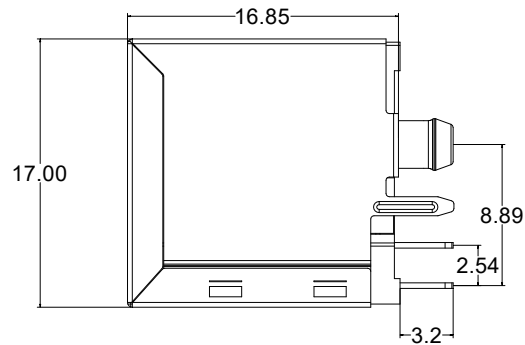
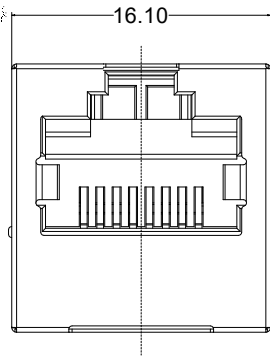
Without LED

CUSTOMER APPROVAL		COMPANY APPROVAL	
INSPECTED BY:		ISSUED BY:	陆冰群
CHECKED BY:		CHECKED BY:	林培辉
APPROVED BY:		APPROVED BY:	邹如斌
APPROVED DATE:		ISSUED DATE:	2023/7/26

Please Return One Copy to us After Approved,TKS! (承认后请回寄一份,谢谢)

品名 P/N: J11VH5003NE4			
日期	REV	变更内容	申请人
2023/7/26	A	新版发行	陆冰群

## A. MECHANICAL(unit:mm)

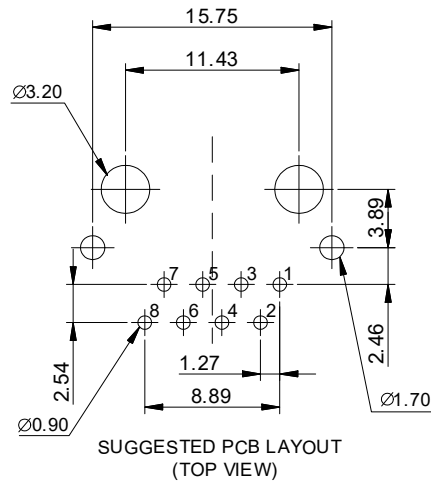
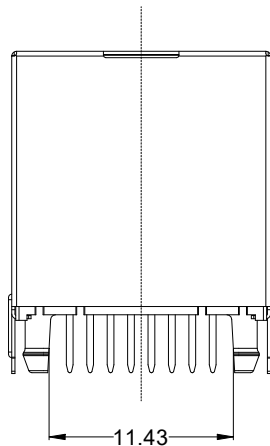


General Tolerance :

X.X : ±0.25

X.XX : ±0.20

X.XXX : ±0.10



### Notes:

#### (1).Material:

Housing: Thermoplastic, LCP, Black, UL 94V-0

Contact: Phosphor Bronze, Thickness=0.35mm.

Shell: Brass, Thickness=0.20mm.

#### (2).Finish:

Contact: 50μ" Min Nickel Underplating All Area.

100μ" Min Tin On Solder Tail.

6u" Gold On Contact Area.

Shell: 30μ" Min Nickel Underplating All Area.

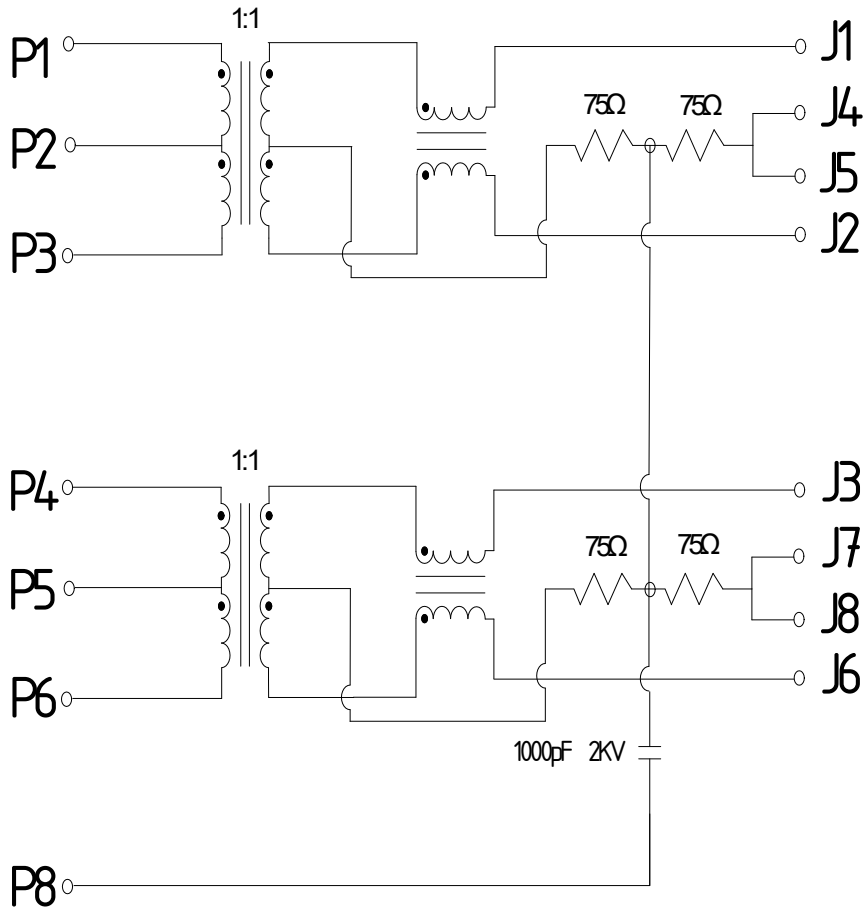
#### (3).Durability Operating Life:

750 Cycles Min.

#### (4).Jack Cavity Conforms To FCC Rules And Regulations Part 68, Subpart F.

DESCRIPTION	VITALCONN P/N	SPEC NO.	REV: A
RJ45 1X1 Vertical	J11VH5003NE4	RVA-0056	PAGE: 1/4

B.SCHEMATICS



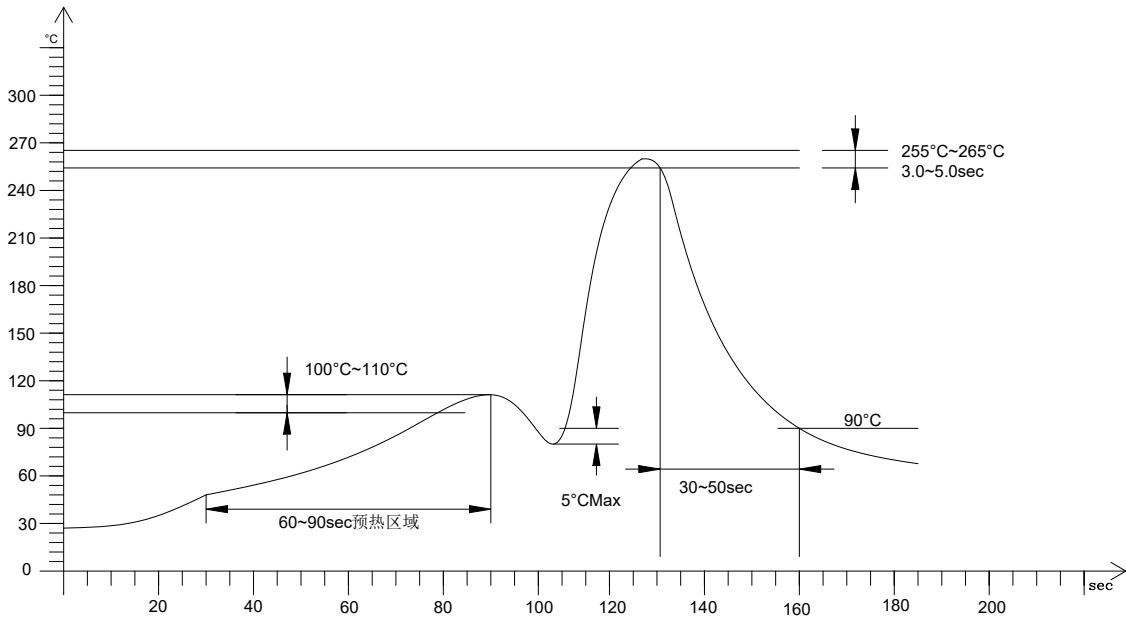
DESCRIPTION	VITALCONN P/N	SPEC NO.	REV: A
RJ45 1X1 Vertical	J11VH5003NE4	RVA-0056	PAGE: 2/4

### C. ELECTRICAL SPECIFICATIONS @25°C

1. OCL: 350  $\mu$ H min @100KHz 100mV 8mA DC Bias
2. Turns Ratio: 1CT:1CT $\pm$ 3%
3. Insertion Loss: -1.0dB max @ 1~100 MHz
4. Return Loss: -18 dB Min @ 1~30 MHz.load 100 $\Omega$   
-14 dB Min @ 30~60 MHz.load 100 $\Omega$   
-12 dB Min @ 60~80 MHz.load 100 $\Omega$   
-10 dB Min @ 80~100 MHz.load 100 $\Omega$
5. Common Mode Rejection: -30 dB Min @ 1-100 MHz
6. Cross Talk: -30 dB Min @ 1-100 MHz
7. Isolation Hipot(J1-J8 to P1-P6): 2250VDC 1mA 2s
8. Operating temperature: -40°C to +85°C
9. Storage temperature: -40°C to +85°C
10. RoHS compliant

DESCRIPTION	VITALCONN P/N	SPEC NO.	REV: A
RJ45 1X1 Vertical	J11VH5003NE4	RVA-0056	PAGE: 3/4

### D. RECOMMEND WAVE SOLDERING CURVE



DESCRIPTION	VITALCONN P/N	SPEC NO.	REV: A
RJ45 1X1 Vertical	J11VH5003NE4	RVA-0056	PAGE: 4/4