

2.5G BASE-T MAGNETICS MODULES

MODEL NO.: TK24021S1

FEATURE:

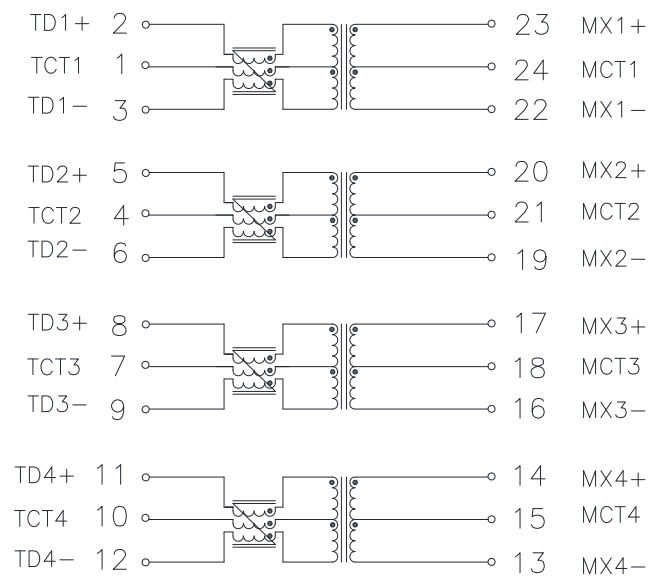
RoHS Compliant
Designed to meet IR requirement

SPECIFICATIONS: @ 25°C

Operating temperature : -40°C to 85°C
OCL: 150uH Min. @100KHz 100mV with 9mA DC Bias
Turns Ratio : 1CT :1CT±3%

| Insertion Loss MHz (dB. max) | Return loss MHz (dB. min) | | DCMR MHz (dB. min) | | | Cross talk MHz (dB. min) | Isolation Voltage (Vrms min) |
|------------------------------------|---------------------------------|------------------|--------------------------|-----|-----|--------------------------------|------------------------------------|
| 1~125 | 1~40 | 40~200 | 30 | 60 | 125 | 1-125 | 1500 |
| -1.0 | -20 | -20+15*log(f/40) | -40 | -35 | -30 | -30 | |

SCHEMATICS:



DIMENSION: mm ;TOLERANCE: ±0.25

