

POWER OVER ETHERNET PoE MAGNETICS

10/100BASE-TX VoIP Magnetics Modules

MODEL NO: TH16101S1 (Bottom Open)

FEATURE:

RoHS Compliant
 Operating Temperature. : -40°C ~ +85°C
 Meet IEEE802.3af with 350 mA current capability.

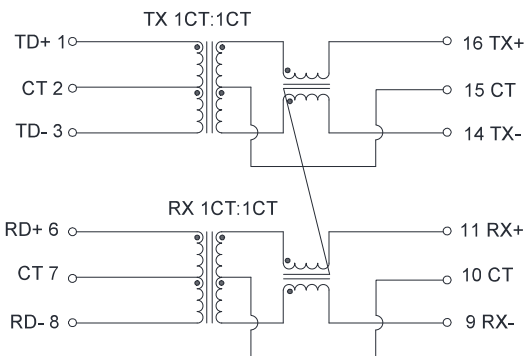
SPECIFICATIONS:@ 25°C

OCL : 350 uH Min. @100KHz 100 mV / with 8 mA DC Bias

DCR : 1.0 Ω Max.

Insertion Loss MHz (dB MAX)	Cross Talk MHz (dB MIN)			Return Loss MHz (dB MIN)				Common Mode Rejection MHz (dB MIN)			Cw/w (pf typ.)	HI POT (VAC)
	30	60	100	1~30	40	50	60~80	30	60	100		
1 ~100	30	60	100	1~30	40	50	60~80	30	60	100	25	1500
-1.2	-45	-40	-35	-16	-14	-13	-12	-43	-37	-33		

SCHEMATICS:



DIMENSION: mm ; TOLERANCE:±0.25

