

10/100 PC CARD LAN MAGNETICS SOLUTIONS

MODEL NO.: TH16081S

FEATURE:

- RoHS Compliant
- RoHS peak solder rating 260°C/ 3~5 Sec
- Designed to meet IR requirement
- Operating temp. : 0°C to +70°C

SPECIFICATIONS: @ 25°C

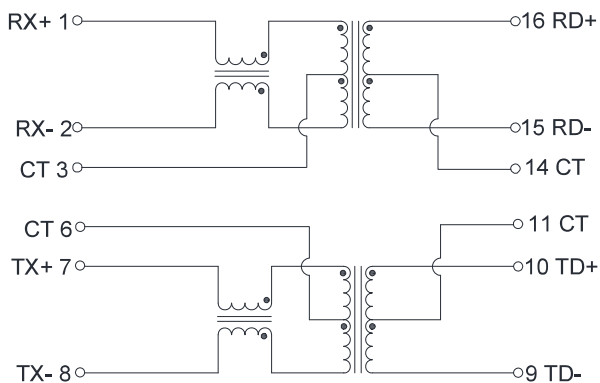
OCL : 350 uH Min @100kHz ,100mV

DCR(1-2)&(7-8):1.6Ω max.

DCR(9-10)&(15-16):1.0Ω max.

| Transformer Turns ratio (±5%) | | Insertion Loss MHz (dB MIN) | Return Loss MHz (dB MAX) | | | | Cross Talk MHz (dB MAX) | | | Common Mode Rejection MHz(dB MAX) | HI POT (VAC) |
|--------------------------------|-----|-----------------------------|--------------------------|-----|-----|-------|-------------------------|-----|-----|-----------------------------------|--------------|
| TX | RX | | 1~30 | 40 | 50 | 60~80 | 30 | 60 | 100 | | |
| 1:1 | 1:1 | -1.0 | -18 | -15 | -13 | -12 | -50 | -45 | -40 | -40 | 1500 |

SCHEMATICS:



DIMENSIONS: mm;TOLERANCE:±0.25

