

10/100 BASE-T SMT TRANSFORMERS

MODEL NO. : TH16020S1(Bottom open)

FEATURES:

- RoHS Compliant
- RoHS peak solder rating 260°C/ 3~5 Sec
- Designed to meet IR requirement
- Support IEEE 802.3af (PoE)
- Operating Temperature. : -40°C ~ +85°C
- Storage Temperature : -20°C ~ +125°C

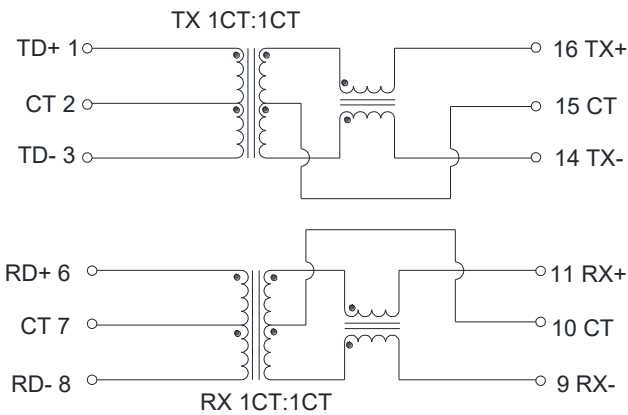
SPECIFICATIONS : @ 25°C

OCL : 350 uH Min @100kHz ,100mv / with 8mA DC Bias

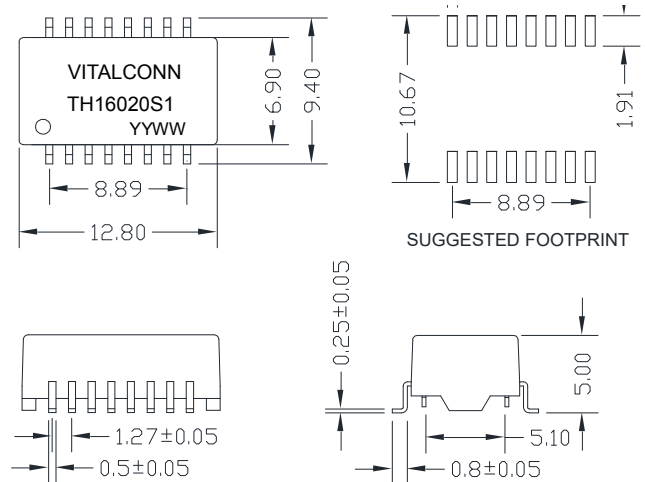
Cw/w:25 pF Max

Turns Ratio (±5%)		Insertion Loss MHz (dB MAX)	Return Loss MHz (dB MIN)							Common Mode Rejection MHz (dB MIN)			Cross Talk MHz (dB MIN)		HIPOT (VAC)
TX	RX		1~30	30~40	40~50	50~60	60~80	80~90	90~100	30	50	100	1~60	60~100	
1CT:1CT	1CT:1CT	-1.1	-16	-15.5	-15	-14.5	-14 ~ -12	-11.5	-11~-10	-42	-37	-33	-40	-38	1500

SCHEMATICS:



DIMENSION: mm TOLERANCE: ±0.25



The maximum coplanarity of the terminals is 0.1 mm