

10/100 BASE-T SMT TRANSFORMERS

MODEL NO. : TH16011S

FEATURES:

RoHS Compliant
Full Automation Production.
Support IEEE 802.3af (PoE)
Operating Temperature. : 0°C ~ +70°C
Storage Temperature : -20°C ~ +125°C

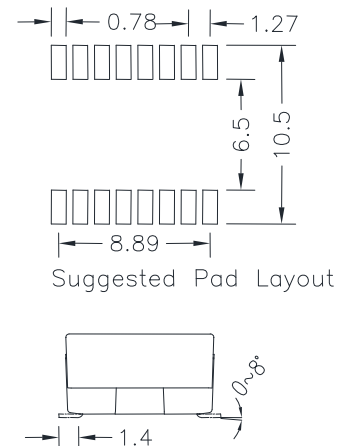
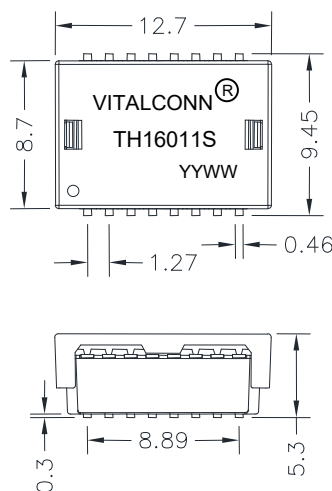
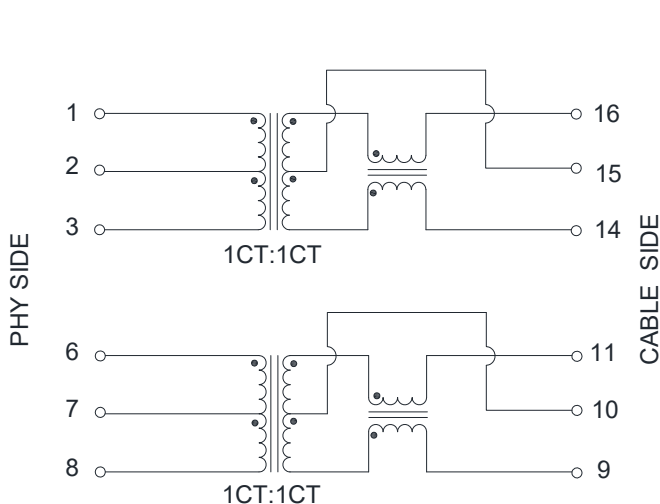
SPECIFICATIONS : @ 25°C

OCL : 350 uH Min @100kHz ,100mv / with 8mA DC Bias
Cw/w:28 pF typ.

Turns Ratio (±5%)		Insertion Loss MHz (dB MAX)	Return Loss MHz (dB MIN)			Common Mode Rejection MHz (dB MIN)			Cross Talk MHz (dB MIN)		HIPOT (VAC)
TX	RX		1~30	30~60	60~100	30	50	100	1~60	60~100	
1CT:1CT	1CT:1CT	-1.0	-18.0	-14.0	-12.0	-42	-37	-33	-40	-38	1500

SCHEMATICS:

DIMENSION: mm TOLERANCE: ±0.25

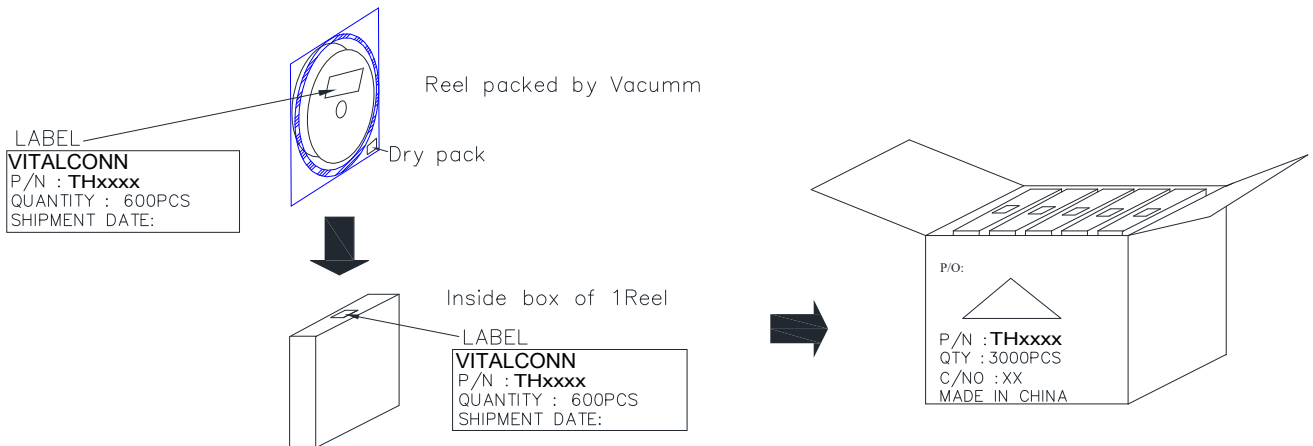
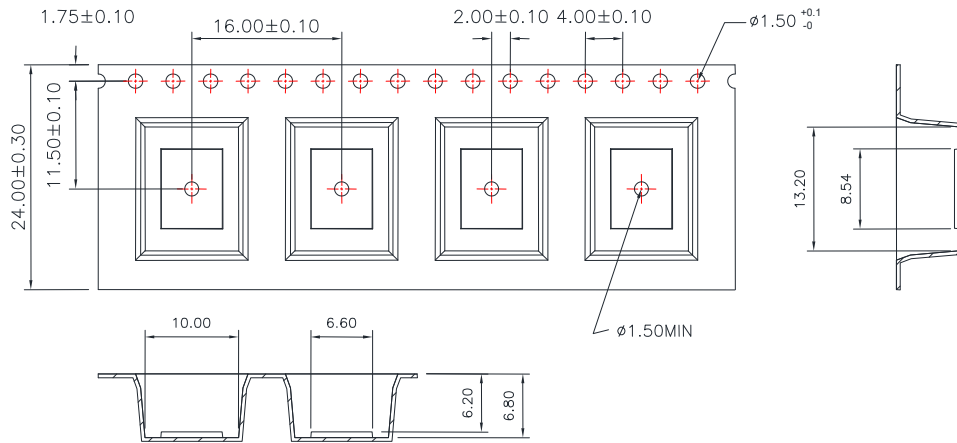


The maximum coplanarity of the terminals is 0.1 mm

MODEL NO. : TH16011S

PACKING

1. Tape & Reel : 600pcs / Reel , 3000pcs / Carton
2. Dry Pack : 1pcs
Product Description:(5g Silica Gel Desiccant)
PH: 4-8
Package Materials: Paper(Length 6.5±1cm , Width 5±1cm)
3. Reel Packed By Vacuum
4. Seal Per JEDEC



Please note that above information is subject to change without notice.
For more info please send us an email to info@vitalconn.com or visit us at www.vitalconn.com

勇於創新，志在連接
Your vital connector partner!