

10/100 BASE-T SMT TRANSFORMERS

MODEL NO : TH16010S1(Bottom open)

FEATURE:

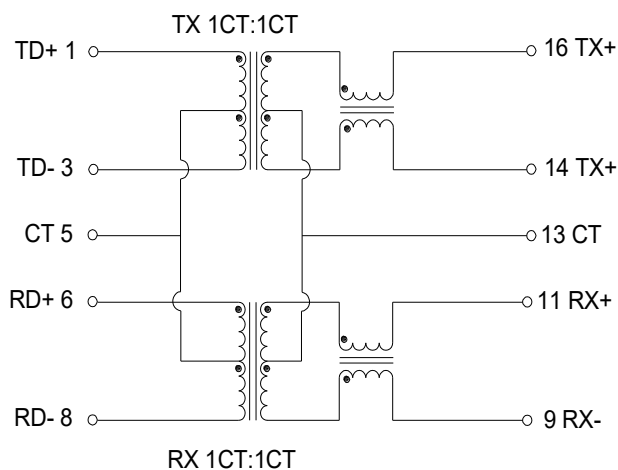
RoHS Compliant
 RoHS peak solder rating 260°C / 3~5 Sec
 Designed to meet IR requirement
 Operating Temperature. : -40°C TO +85°C

SPECIFICATIONS: @ 25°C

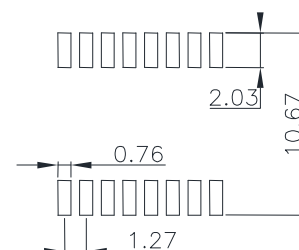
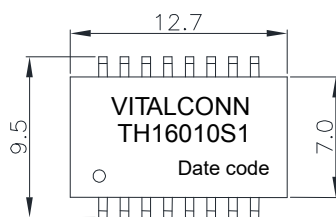
OCL : 350 uH Min @100kHz ,100mV / 8mA

Turns Ratio (±5%)		Insertion Loss MHz (dB MAX)	Return Loss MHz (dB MIN)		Common Mode Rejection MHz (dB MIN)		Cross Talk MHz (dB MIN)		HIPOT (VAC)
TX	RX	0.1~125	1~60	60~100	1~60	60~100	1~60	60~100	
1CT:1CT	1CT:1CT	-1.1	-16 ~ -14	-14 ~ -10	-35	-30	-40	-38	

SCHEMATICS:



DIMENSION: mm ; TOLERANCE:±0.25



SUGGESTED PAD LAYOUT

