

10/100BASE-T TRANSFORMER

MODEL NO.: TH12031S1

FEATURE:

RoHS Compliant

RoHS peak solder rating 260°C / 3~5 Sec

Designed to meet IR requirement

Operating Temperature. : 0°C ~ +80°C

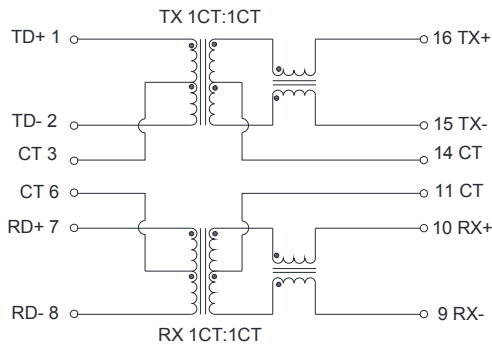
MSL=2a

SPECIFICATIONS : @ 25°C

OCL : 350 uH Min @100kHz , 100mv

Turns Ratio (±3%)	LL (uHMAX)	C _{ww} (pFMAX)	DCR (Ω MAX)	Insertion Loss MHz (dB MAX)	Cross Talk MHz (dB MIN)	Return Loss MHz (dB MIN)			HIPOT (VAC)
1CT:1CT	0.50	30	1.5	1 ~ 100	0.3~100	1~40	40~80	80~100	1500
				-1.0	-35	-16	-16~-10	-10~-8	

SCHEMATICS :



DIMENSION :mm ; TOLERANCE :±0.25

