

10/100BASE-T TRANSFORMER

MODEL NO.: TH12021S1

FEATURE:

RoHS Compliant

Designed to meet IR requirement

Operating Temperature. : 0°C ~ 80°C

SPECIFICATIONS : @ 25°C

OCL : 350 uH Min @100kHz ,100mv

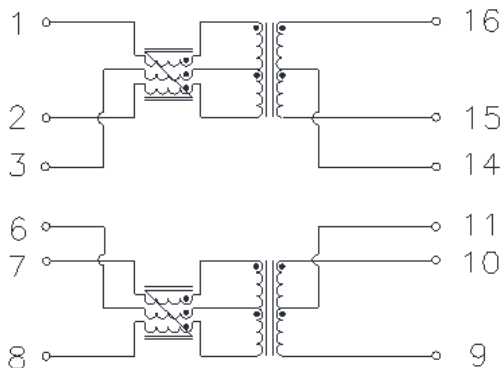
DCR: 1.5 Ω Max.

LL: 0.5uH Max.

Cw/w:30 pF Max.

Insertion Loss MHz (dB Max)	Return Loss MHz (dB MIN @100Ω)			Differential to Common Mode Rejection MHz (dB MIN)			Cross Talk MHz (dB MIN)	HI POT VAC
	1~40	40~80	80~100	30	60	100		
1-100	-16	-10	-8	-35	-33	-30	1-100	1500
-1.0	-16	-10	-8	-35	-33	-30	-35	

SCHEMATICS :



DIMENSION :mm ; TOLERANCE :±0.25

